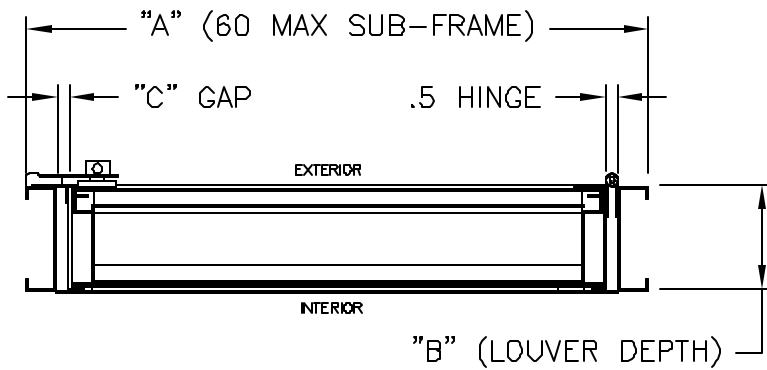


STANDARD SINGLE HINGE PANEL LOUVER WITH HASP LATCHING



"C" (GAP CHART)		
"A"	"B" (LOUVER DEPTH)	
	4	6
24 TO 36	0.75	1.25
36 TO 48	0.625	0.875
48 TO 60	0.5	0.75

REFERENCE 32919-1-STD FOR OPTIONAL LATCHES

REVISION	DATE	DRN	APP'D
abi. air balance, inc. A MESTEK COMPANY 7301 INTERNATIONAL DRIVE HOLLAND, OHIO Phone (419) 886-6000 Fax (419) 886-1375			
SINGLE HINGE PANEL FOR 4" & 6" STANDARD LOUVERS			
DRN BY	JMC	DWG. NO.	REV.
DATE	03/27/01	32919-STD	

5/13/2011