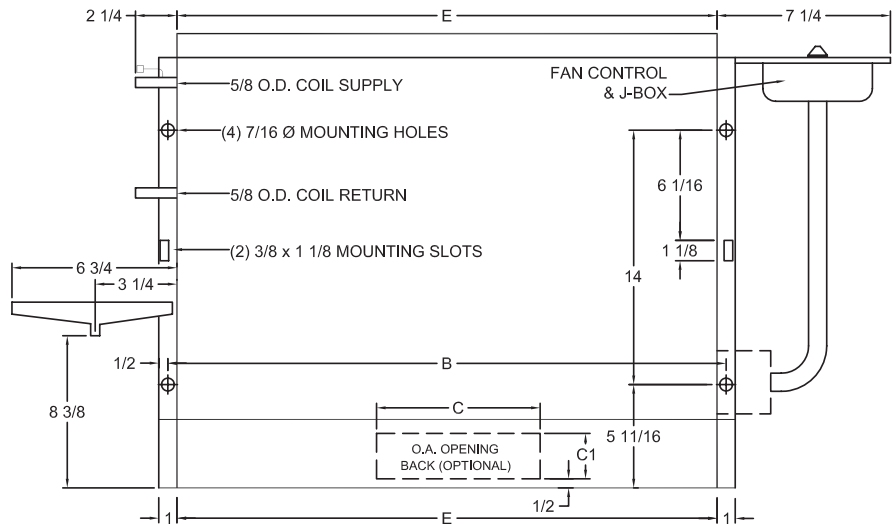
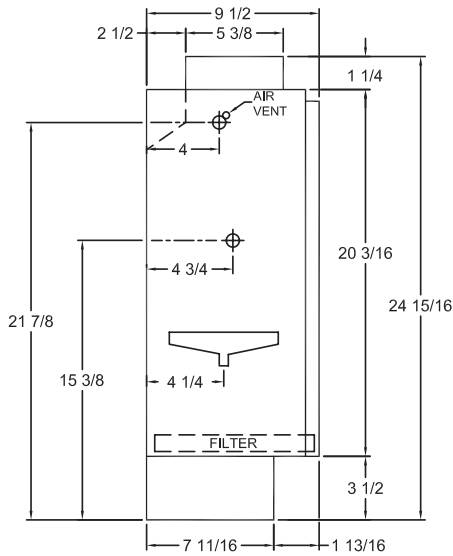
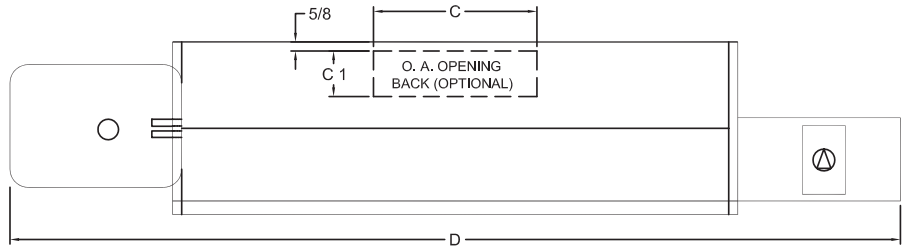


UNITAIRE IV FAN COIL UNITS FCTF

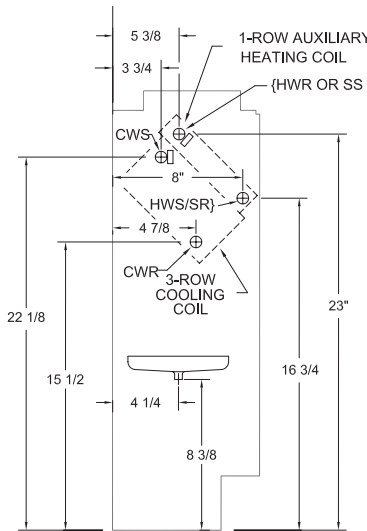


LEFT HAND PIPING CONNECTIONS SHOWN. RIGHT HAND OPPOSITE. PIPING HAND DETERMINED WHEN FACING AIR OUTLET
 ELECTRIC JUNCTION BOX LOCATION MAY VARY DEPENDING UPON CONTROL REQUIRMENTS. CONTACT FACTORY.

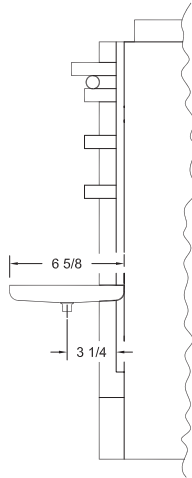
DIMENSIONS					
UNIT SIZE	B	25% O.A. INTAKE		D	E
		C	C1		
02	22	9	2-1/2	35	21
03	28	9	2-1/2	41	27
04	32	15	2-1/2	45	31
06	46	15	2-1/2	59	45
08	58	27	2-1/2	71	57
01/12	78	27	2-1/2	91	77

OPTIONAL 1-ROW AUXILIARY HEATING COIL

Coil connections are
5/8" O.D. sweat



LEFT END VIEW



FRONT VIEW

LEGEND

CWS-CWR: Chilled Water Supply – Return
HWS-HWR: Hot Water Supply - Return
SS-SR: Steam Supply – Return

SPECIAL NOTES

1-Row Auxiliary Steam or Water Coil Connections may be "Same As" or "Opposite" Cooling Coil Piping. If "Opposite" is selected, the fan speed control must be located on the chilled water side or located remote from the unit.

CONTROL PACKAGES

Control Packages require Engineering Investigation for confirmation of adequate space allowance.

