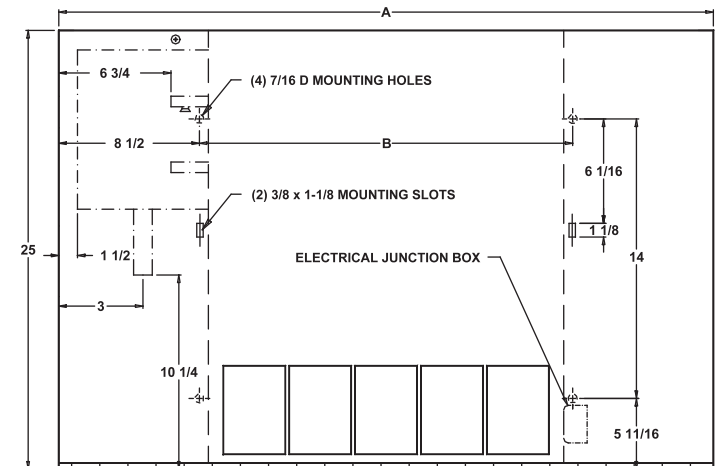
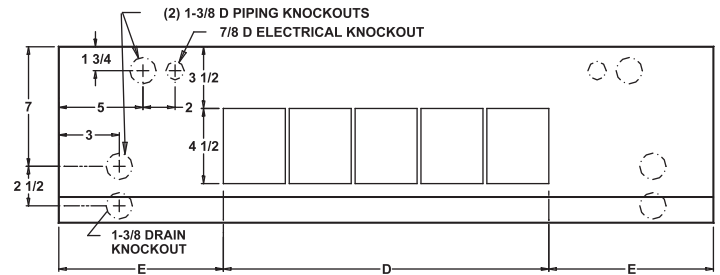
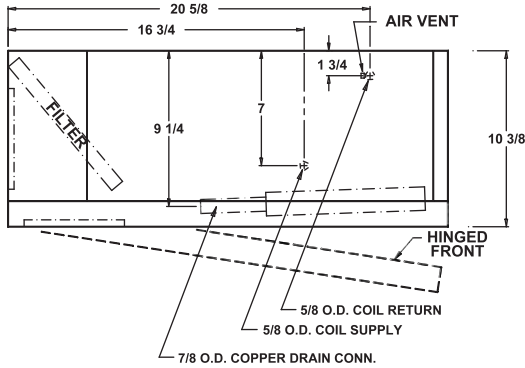


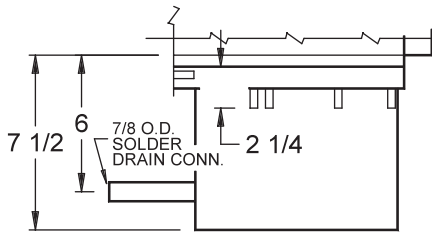
# UNITAIRE IV FAN COIL UNITS CEFR & CEFB



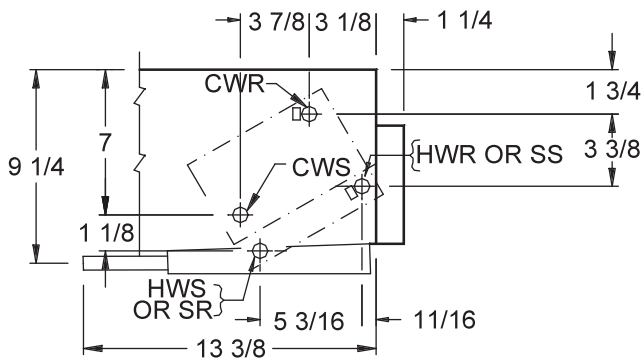
LEFT HAND PIPING CONNECTIONS SHOWN. RIGHT HAND OPPOSITE. PIPING HAND DETERMINED WHEN FACING AIR OUTLET.  
 STANDARD LOCATION OF THE ELECTRICAL JUNCTION BOX IS ON THE SAME SIDE AS THE PIPING.  
 ELECTRIC JUNCTION BOX LOCATION MAY VARY DEPENDING UPON CONTROL REQUIRMENTS. CONTACT FACTORY.  
 MODEL CEFR HAS REAR INLET. MODEL CEFB HAS BOTTOM INLET.

DIMENSIONS				
UNIT SIZE	A	B	D	E
02	39	22	19-3/4	9-5/8
03	45	28	23-3/4	10-5/8
04	49	32	27-3/4	10-5/8
06	63	46	43-3/4	9-5/8
08	75	58	55-3/4	9-5/8
01/12	95	78	75-3/4	9-5/8

# OPTIONAL 1-ROW AUXILIARY HEATING COIL



TOP VIEW



## LEGEND

CWS-CWR: Chilled Water Supply – Return  
HWS-HWR: Hot Water Supply - Return  
SS-SR: Steam Supply – Return

## SPECIAL NOTES

1-Row Auxiliary Water Coil Connections may be “Same As” or “Opposite” Cooling Coil Piping.

1-Row Auxiliary Steam Coil Connections must always be opposite the cooling coil connections. Steam piping requires careful consideration of clearances on each model type.

## CONTROL PACKAGES

Control Packages require Engineering Investigation for confirmation of adequate space allowance.

Coil connections are 5/8” O.D. sweat

