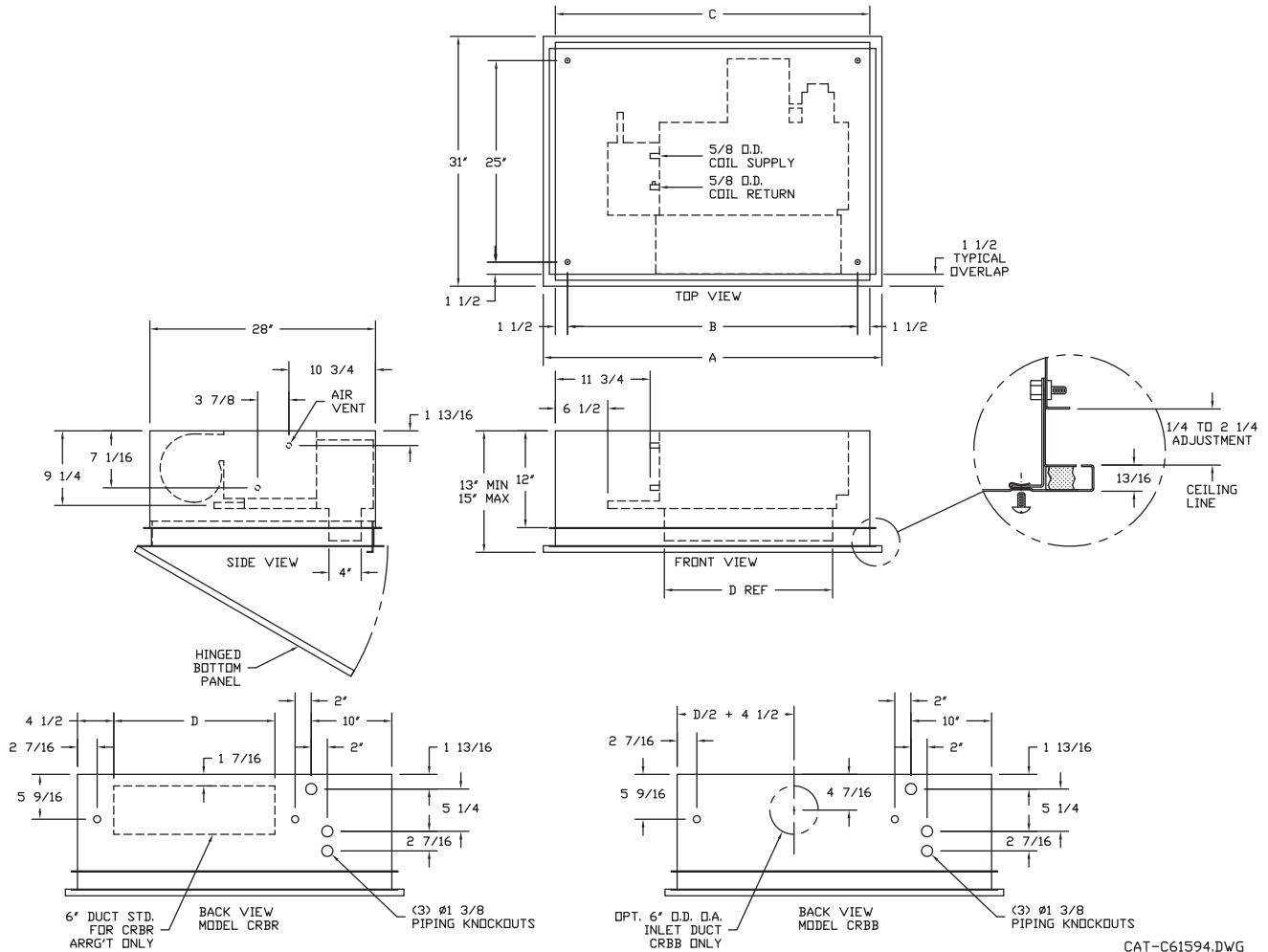


# UNITAIRE IV FAN COIL UNITS CRBR & CRBB



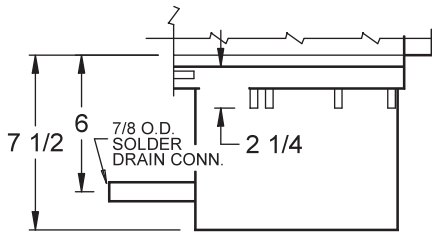
CAT-C61594.DWG

LEFT HAND PIPING CONNECTIONS SHOWN, RIGHT HAND OPPOSITE. PIPING HAND DETERMINED WHEN FACING AIR OUTLET.  
 STANDARD LOCATION OF THE ELECTRICAL JUNCTION BOX IS ON THE SAME SIDE AS THE PIPING.  
 FIELD ADJUSTMENT OF INTERNAL PLENUM WILL BE REQUIRED AFTER HANGING UNIT.  
 ELECTRIC HEAT IS NOT AVAILABLE.

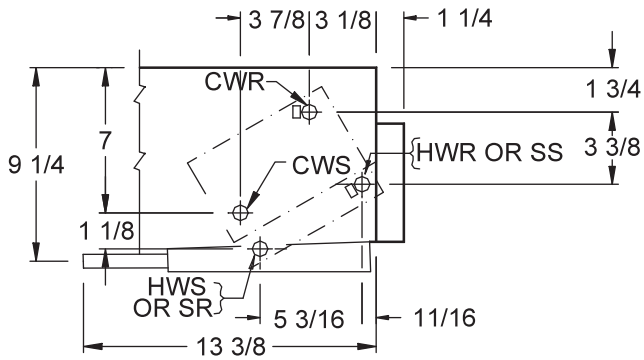
DIMENSIONS				
UNIT SIZE	A*	B	D	E
02	42	36	39	20
03	48	42	45	26
04	52	46	49	30
06	66	60	63	44
08	78	72	75	56
10/12	98	92	95	76

\* = When units are furnished with DDC controls, add 4" to "A" dimension.

# OPTIONAL 1-ROW AUXILIARY HEATING COIL



TOP VIEW



## LEGEND

CWS-CWR: Chilled Water Supply – Return  
 HWS-HWR: Hot Water Supply - Return  
 SS-SR: Steam Supply – Return

## SPECIAL NOTES

1-Row Auxiliary Water Coil Connections may be “Same As” or “Opposite” Cooling Coil Piping.

**Contact factory if opposite end connections are required.**

**1-Row Auxiliary Steam Coil contact factory.**

## CONTROL PACKAGES

Control Packages require Engineering Investigation for confirmation of adequate space allowance.

Coil connections are 5/8” O.D. sweat

