

SYNERGY

Submittal Data

SGSD-3
Hydronic Low Temperature
High Efficiency
Baseboard Radiation

DESCRIPTION:

Synergy low temperature high efficiency baseboard is designed to complement today's high efficiency modulating boilers operating in condensing mode. Synergy allows modern high efficiency modulating boilers to operate at their full potential maximizing system efficiency and providing all the cost-saving benefits of a condensing boiler. Durable 18-gauge galvanized enclosure (16-gauge option available) makes it ideal for installation in residential or light commercial settings.

FEATURES AND BENEFITS:

- Lower temperatures - premium performance
- Durable galvanized enclosure
- Aesthetically pleasing
- Residential and light commercial applications
- Unique fin design for maximum heat transfer
- White baked enamel finish
- Manually modulating damper
- Clean hydronic heat
- Easy installation

Description

Model Number

Quantity

Complete with 3/4" Element

SG-750-A*

**to be replaced by length of board/element needed*

2' _____ 3' _____ 4' _____ 5' _____ 6' _____ 7' _____ 8' _____

Total Footage _____

Enclosure Only

SG-*-A

**to be replaced by length of board/element needed*

2' _____ 3' _____ 4' _____ 5' _____ 6' _____ 7' _____ 8' _____

Total Footage _____

Element Only

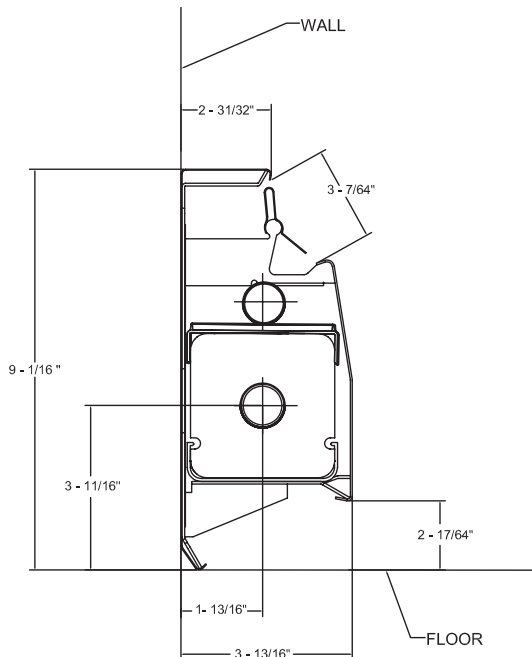
SG-E-*

**to be replaced by length of board/element needed*

2' _____ 3' _____ 4' _____ 5' _____ 6' _____ 7' _____ 8' _____

Total Footage _____

DIMENSIONAL DATA



RATINGS

AVERAGE HOT WATER TEMPERATURE BTU/HR./LIN. FT.

Model	GPM	120°F	130°F	140°F	150°F	160°F	170°F	180°F
SG-750 3/4" Tube (CU)	4	328	411	502	597	707	810	913
51 Fins (0.18)/Ft.	1	312	390	477	567	664	771	862

Outputs based on:

- Fin-tube element dimensions 3¼" x 3¼"
- Working pressure 273 PSI

DesignLine

260 North Elm St., Westfield, MA 01085
(413) 564-5545 Fax: (413) 572-3764

7555 Tranmere Drive, Mississauga, ONT. L5S 1L4 Canada
(905) 670-5888 Fax: (905) 670-5782

www.designlineonline.com



PROJECT: _____ DATE: _____

LOCATION: _____

CUSTOMER: _____

ENGINEER: _____

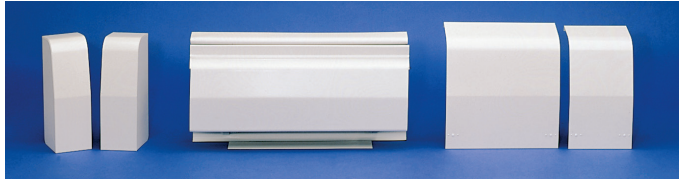
SUBMITTED BY: _____

FOR: Reference Approval Construction

UNIT DESIGNATION: _____

SCHEDULE NUMBER: _____

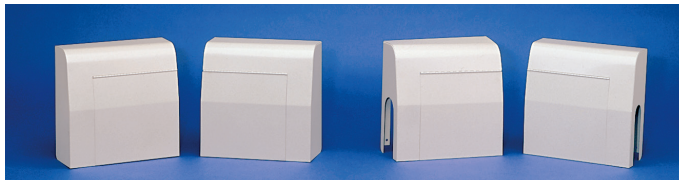
ACCESSORIES



A

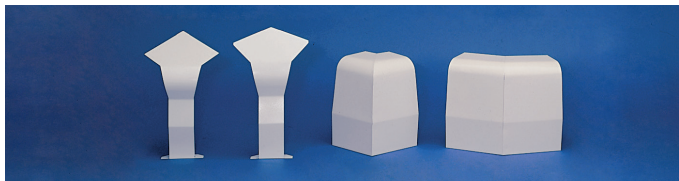
B

C



D

E



F

G

A - End Caps - 3" wide left (SG-LEC-03) and right (SG-REC-03), for use at doorways and wherever a finished end is needed. 3" wide slotted left (SG-SLEC-03) and right (SG-SREC-03), for through-the-wall connections. Fully telescopic.

B - Extension Sets - 14" wide (SG-EXT-14). Four sections (back, front, top and damper). Telescopes to fill gaps up to 12 1/2" between baseboard panels.

C - Wall Joiners - 5" (SG-WJ-05) and 9" (SG-WJ-09). Fully telescopic to conceal connecting pipes.

D - Valve Enclosure - 9" wide left (SG-VEL-09) and right (SG-VER-09). Extra wide 6" hinged door for easy access to valve or vent. Fully telescopic.

E - Valve Enclosure (slotted) - 9" wide left (SG-SVEL-09) and right (SG-SVER-09). Extra wide 6" hinged door for easy access to valve or vent. Fully telescopic.

F - Inside Corner - 90° (SG-IC-90) and 135°/45° (SG-IC-45). One piece snap-on for easy installation. Telescopic up to 2 1/2" on each wall.

G - Outside corner - 90° (SG-OC-90) and 135°/45° (SG-OC-45). Use to trim corners at projecting wall. Telescopic up to 1" on each wall.

SPECIFY QUANTITIES:

<u>Description</u>	<u>Part Number</u>	<u>Quantity</u>
End Cap - LH	□ SG-(S)EL	_____
End Cap - RH	□ SG-(S)ER	_____
9" Valve Enclosure - LH	□ SG-(S)VL	_____
9" Valve Enclosure - RH	□ SG-(S)VR	_____
Inside Corner - 90°	□ SG-IC90	_____
Inside Corner - 45°	□ SG-IC45	_____
Outside Corner - 90°	□ SG-OC90	_____
Outside Corner - 45°	□ SG-OC135	_____
5" Wall Joiner	□ SG-WJ5	_____
9" Wall Joiner	□ SG-WJ9	_____
14" Extension Kit	□ SG-EXT14	_____

(S) - add "S" to part number where indicated for slotted accessories