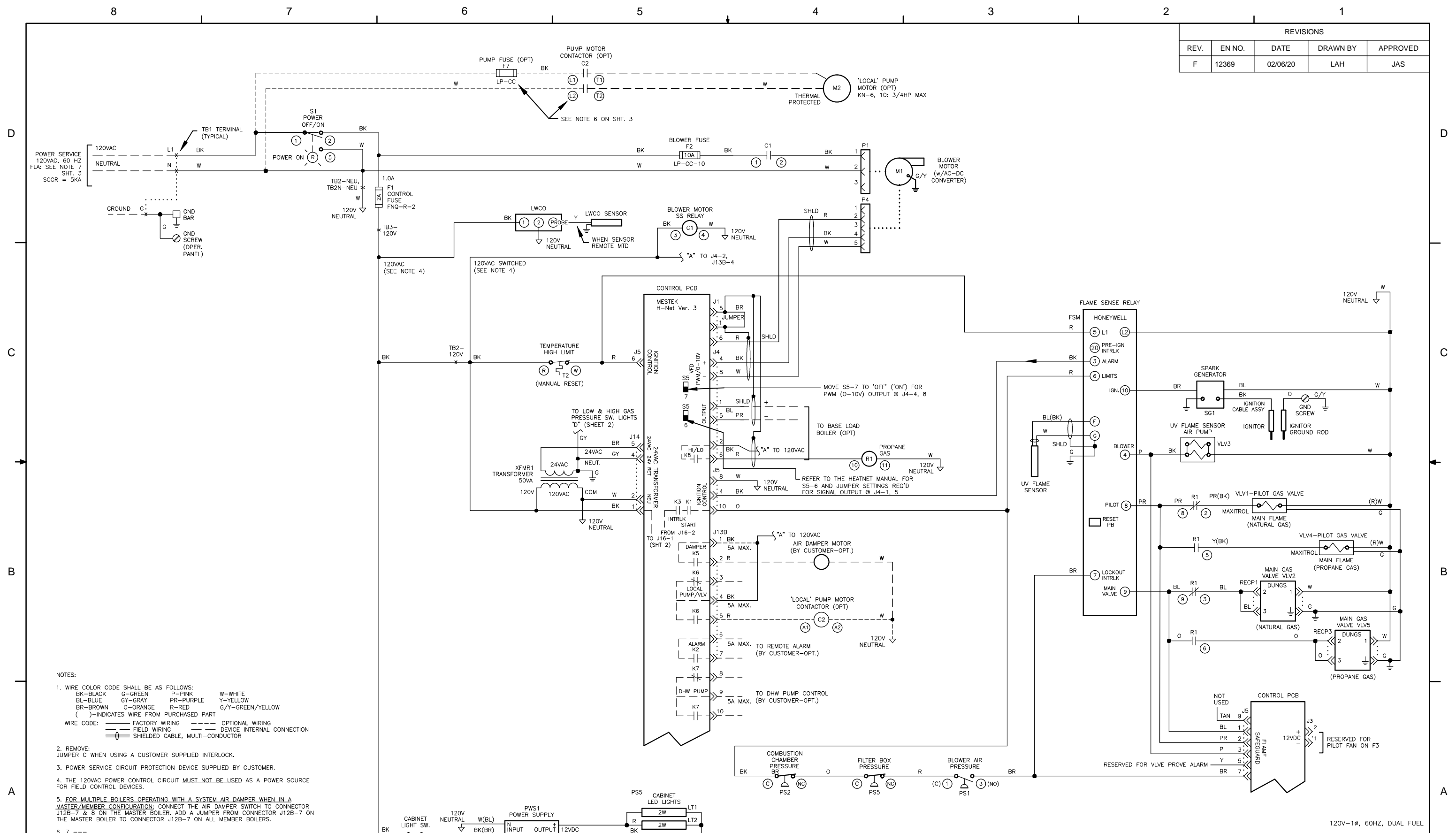


REVISIONS				
REV.	EN NO.	DATE	DRAWN BY	APPROVED
F	12369	02/06/20	LAH	JAS



- NOTES:
- WIRE COLOR CODE SHALL BE AS FOLLOWS:
 BK-BLACK G-GREEN P-PINK W-WHITE
 BL-BLUE GY-GRAY PR-PURPLE Y-YELLOW
 BR-BROWN O-ORANGE R-RED G/Y-GREEN/YELLOW
 ()-INDICATES WIRE FROM PURCHASED PART
 WIRE CODE: ——— FACTORY WIRING - - - - - OPTIONAL WIRING
 ——— FIELD WIRING ——— DEVICE INTERNAL CONNECTION
 ⊕ SHIELDED CABLE, MULTI-CONDUCTOR
 - REMOVE:
 JUMPER C WHEN USING A CUSTOMER SUPPLIED INTERLOCK.
 - POWER SERVICE CIRCUIT PROTECTION DEVICE SUPPLIED BY CUSTOMER.
 - THE 120VAC POWER CONTROL CIRCUIT **MUST NOT BE USED** AS A POWER SOURCE FOR FIELD CONTROL DEVICES.
 - FOR MULTIPLE BOILERS OPERATING WITH A SYSTEM AIR DAMPER WHEN IN A MASTER/MEMBER CONFIGURATION: CONNECT THE AIR DAMPER SWITCH TO CONNECTOR J12B-7 & 8 ON THE MASTER BOILER; ADD A JUMPER FROM CONNECTOR J12B-7 ON THE MASTER BOILER TO CONNECTOR J12B-7 ON ALL MEMBER BOILERS.
 - 7 - - -
 - HEATNET ONLINE, STAGE 2, 3, 4 AND SYSTEM PUMP 2 OUTPUTS ARE NOT AVAILABLE WITH THE H-NET 'LITE' CONTROL PCB.

DIVISION	PRODUCT	DRAWN BY	DATE	DRAWING DESCRIPTION		
ATH	KN-6 TO 10	RT	12/12/13	LADDER DIAGRAM		
THE PRINT AND ALL INFORMATION THEREON IS PROPERTY OF THE ATH DIVISION OF MESTEK, INC. NEITHER THE PRINT NOR THE INFORMATION THEREON MAY BE REPRODUCED OR USED IN ANY MANNER WHATSOEVER OR DIVULGED TO ANY OTHER PERSON UNLESS SPECIFICALLY AUTHORIZED BY MESTEK, INC.			DATE	DRAWING NUMBER		
RT	12/12/13	42-00007				
APPROVED BY	DATE	SHEET	SHEET SIZE	SCALE	REVISION	
JPC	12/12/13	1 of 5	B	N/A	F	

D

C

B

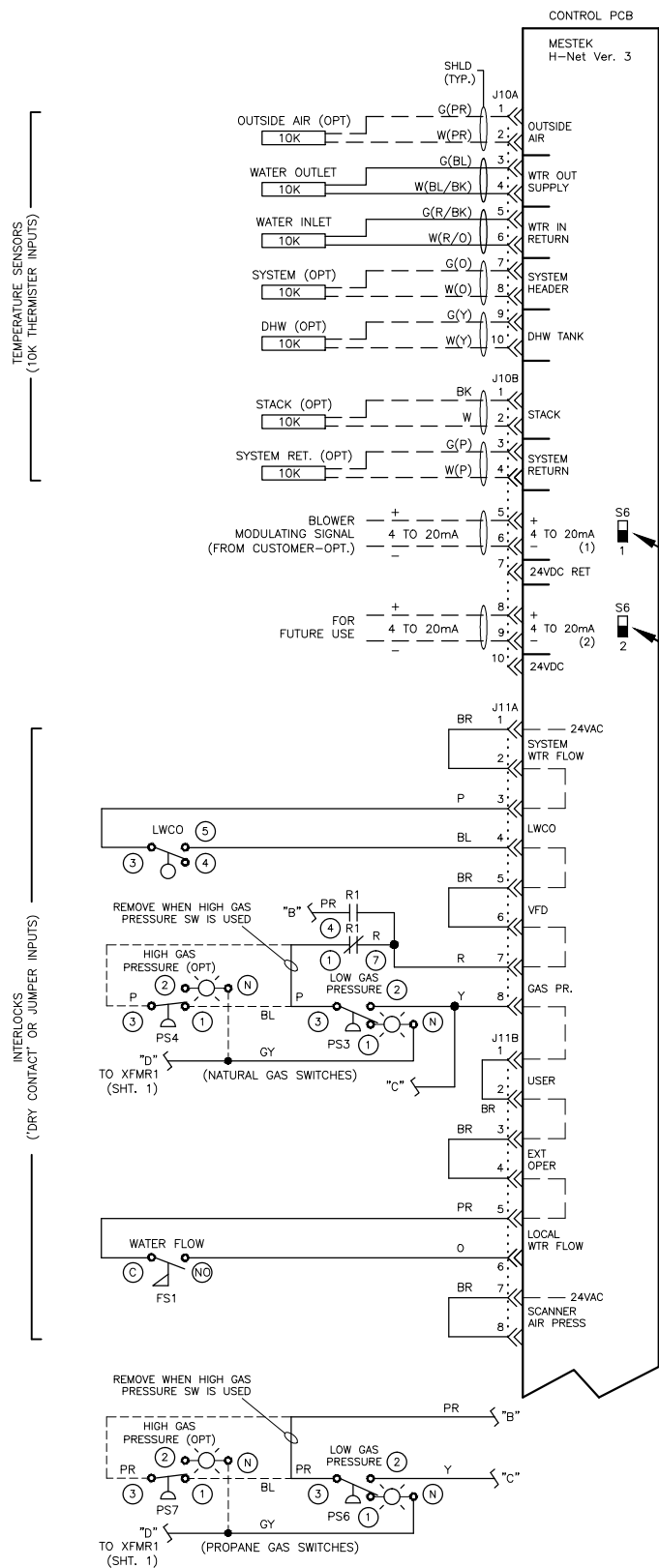
A

D

C

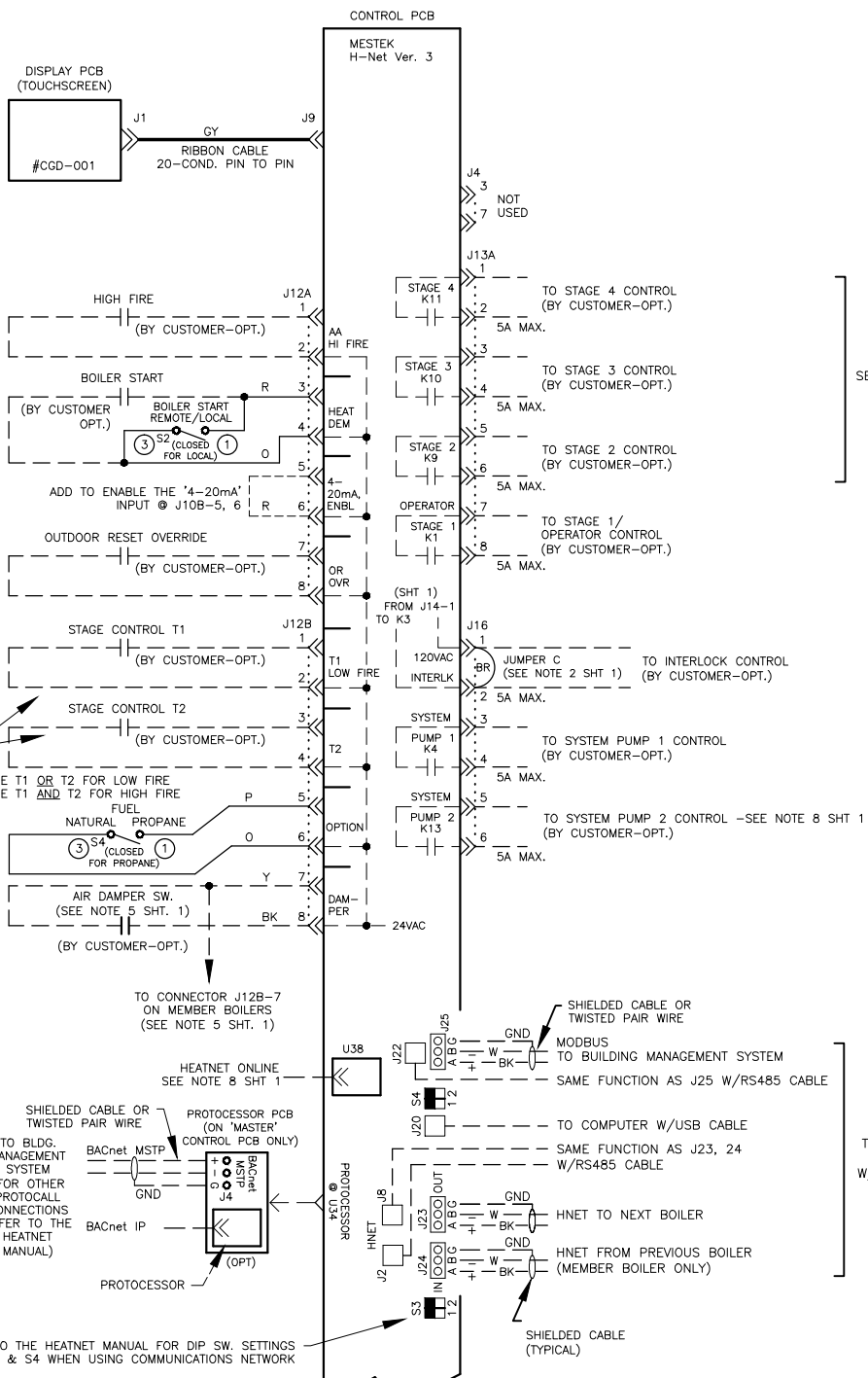
B

A



MOVE S6-1 UP (DOWN) FOR 4-20mA (0-10V) INPUT @ J10B-5, 6

MOVE S6-2 UP (DOWN) FOR 4-20mA (0-10V) INPUT @ J10B-8, 9

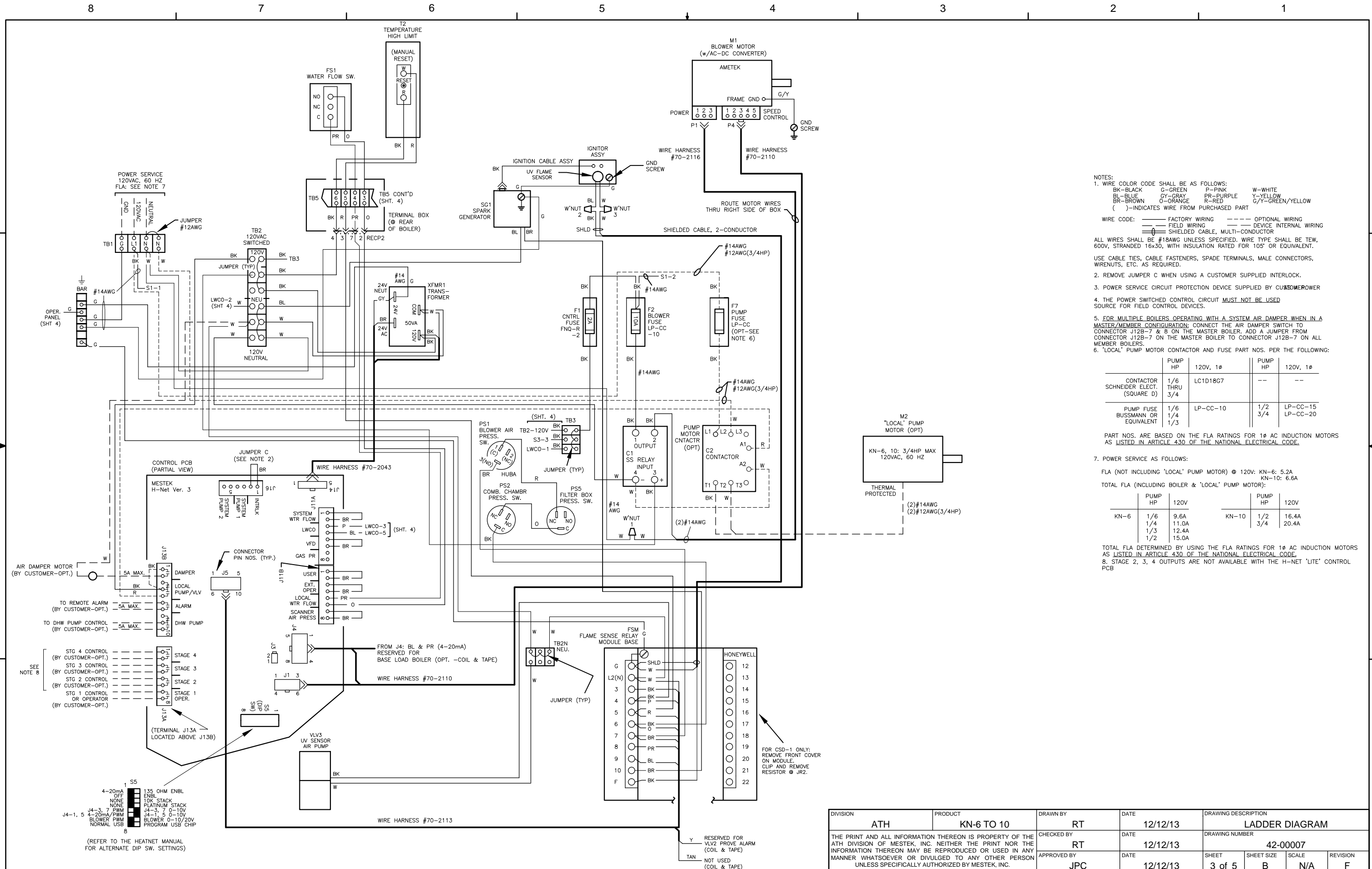


SEE NOTE 8 SHT 1

REFERENCE THE HEATNET MANUAL & W/D 42-5819 (OPTIONAL)

REFER TO THE HEATNET MANUAL FOR DIP SW. SETTINGS AT S3 & S4 WHEN USING COMMUNICATIONS NETWORK

DIVISION	PRODUCT	DRAWN BY	DATE	DRAWING DESCRIPTION			
ATH	KN-6 TO 10	RT	12/12/13	LADDER DIAGRAM			
THE PRINT AND ALL INFORMATION THEREON IS PROPERTY OF THE ATH DIVISION OF MESTEK, INC. NEITHER THE PRINT NOR THE INFORMATION THEREON MAY BE REPRODUCED OR USED IN ANY MANNER WHATSOEVER OR DIVULGED TO ANY OTHER PERSON UNLESS SPECIFICALLY AUTHORIZED BY MESTEK, INC.			CHECKED BY	DATE	DRAWING NUMBER		
			RT	12/12/13	42-00007		
APPROVED BY	DATE	SHEET	SHEET SIZE	SCALE	REVISION		
JPC	12/12/13	2 of 5	B	N/A	F		



NOTES:

- WIRE COLOR CODE SHALL BE AS FOLLOWS:
 BK-BLACK G-GREEN P-PINK W-WHITE
 BL-BLUE GR-GRAY PR-PURPLE Y-YELLOW
 BR-BROWN O-ORANGE R-RED G/Y-GREEN/YELLOW
 ()-INDICATES WIRE FROM PURCHASED PART
- WIRE CODE: ——— FACTORY WIRING ——— OPTIONAL WIRING
 ——— SHIELDED CABLE, MULTI-CONDUCTOR
 ——— FIELD WIRING ——— DEVICE INTERNAL WIRING

ALL WIRES SHALL BE #14AWG UNLESS SPECIFIED. WIRE TYPE SHALL BE TEW, 600V, STRANDED 16x30, WITH INSULATION RATED FOR 105° OR EQUIVALENT. USE CABLE TIES, CABLE FASTENERS, SPADE TERMINALS, MALE CONNECTORS, WIRENUTS, ETC. AS REQUIRED.

- REMOVE JUMPER C WHEN USING A CUSTOMER SUPPLIED INTERLOCK.
- POWER SERVICE CIRCUIT PROTECTION DEVICE SUPPLIED BY CUSTOMER
- THE POWER SWITCHED CONTROL CIRCUIT MUST NOT BE USED SOURCE FOR FIELD CONTROL DEVICES.
- FOR MULTIPLE BOILERS OPERATING WITH A SYSTEM AIR DAMPER WHEN IN A MASTER/MEMBER CONFIGURATION; CONNECT THE AIR DAMPER SWITCH TO CONNECTOR J12B-7 & 8 ON THE MASTER BOILER. ADD A JUMPER FROM CONNECTOR J12B-7 ON THE MASTER BOILER TO CONNECTOR J12B-7 ON ALL MEMBER BOILERS.
- 'LOCAL' PUMP MOTOR CONTACTOR AND FUSE PART NOS. PER THE FOLLOWING:

	PUMP HP	120V, 1Ø	PUMP HP	120V, 1Ø
CONTACTOR SCHNEIDER ELECT. (SQUARE D)	1/6 THRU 3/4	LC1D18G7	--	--
PUMP FUSE BUSSMANN OR EQUIVALENT	1/6 1/4 1/3	LP-CC-10	1/2 3/4	LP-CC-15 LP-CC-20

PART NOS. ARE BASED ON THE FLA RATINGS FOR 1Ø AC INDUCTION MOTORS AS LISTED IN ARTICLE 430 OF THE NATIONAL ELECTRICAL CODE.

7. POWER SERVICE AS FOLLOWS:

FLA (NOT INCLUDING 'LOCAL' PUMP MOTOR) @ 120V: KN-6: 5.2A KN-10: 6.6A

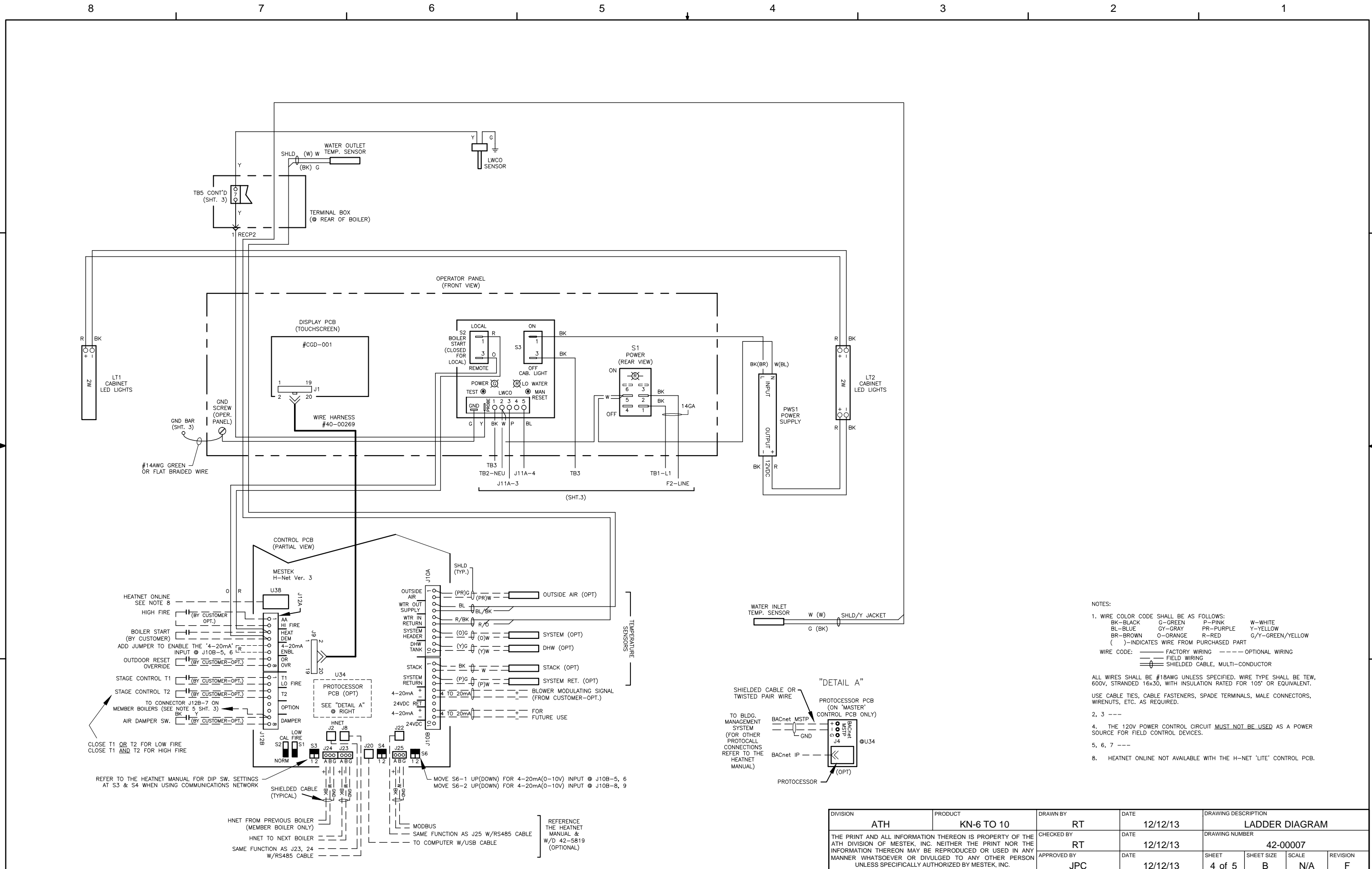
TOTAL FLA (INCLUDING BOILER & 'LOCAL' PUMP MOTOR):

	PUMP HP	120V	PUMP HP	120V	
KN-6	1/6 1/4 1/3 1/2	9.6A 11.0A 12.4A 15.0A	KN-10	1/2 3/4	16.4A 20.4A

TOTAL FLA DETERMINED BY USING THE FLA RATINGS FOR 1Ø AC INDUCTION MOTORS AS LISTED IN ARTICLE 430 OF THE NATIONAL ELECTRICAL CODE.

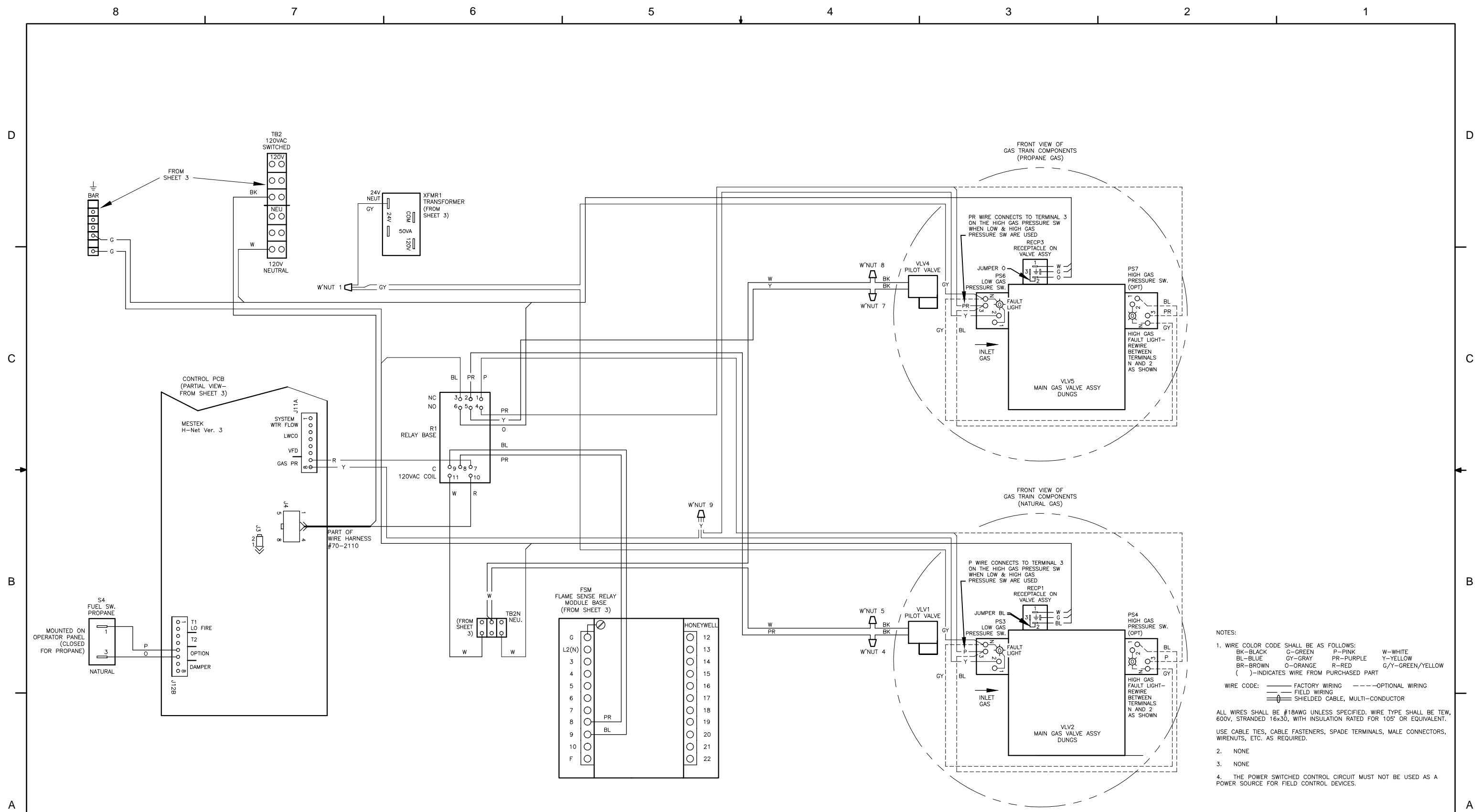
8. STAGE 2, 3, 4 OUTPUTS ARE NOT AVAILABLE WITH THE H-NET 'LITE' CONTROL PCB

DIVISION	ATH	PRODUCT	KN-6 TO 10	DRAWN BY	RT	DATE	12/12/13	DRAWING DESCRIPTION	LADDER DIAGRAM		
CHECKED BY	RT	DATE	12/12/13	DRAWING NUMBER	42-00007						
APPROVED BY	JPC	DATE	12/12/13	SHEET	3 of 5	SHEET SIZE	B	SCALE	N/A	REVISION	F



- NOTES:
- WIRE COLOR CODE SHALL BE AS FOLLOWS:
 BK-BLACK G-GREEN P-PINK W-WHITE
 BL-BLUE GR-GRAY PR-PURPLE Y-YELLOW
 BR-BROWN O-ORANGE R-RED G/Y-GREEN/YELLOW
 ()-INDICATES WIRE FROM PURCHASED PART
 WIRE CODE: ——— FACTORY WIRING - - - - - OPTIONAL WIRING
 = = = = = FIELD WIRING
 ≡ ≡ ≡ ≡ ≡ SHIELDED CABLE, MULTI-CONDUCTOR
 - ALL WIRES SHALL BE #18AWG UNLESS SPECIFIED. WIRE TYPE SHALL BE TEW, 600V, STRANDED 16x30, WITH INSULATION RATED FOR 105° OR EQUIVALENT. USE CABLE TIES, CABLE FASTENERS, SPADE TERMINALS, MALE CONNECTORS, WIRENUTS, ETC. AS REQUIRED.
 - 2, 3 ---
 - THE 120V POWER CONTROL CIRCUIT **MUST NOT BE USED** AS A POWER SOURCE FOR FIELD CONTROL DEVICES.
 - 5, 6, 7 ---
 - HEATNET ONLINE NOT AVAILABLE WITH THE H-NET 'LITE' CONTROL PCB.

DIVISION	PRODUCT	DRAWN BY	DATE	DRAWING DESCRIPTION			
ATH	KN-6 TO 10	RT	12/12/13	LADDER DIAGRAM			
THE PRINT AND ALL INFORMATION THEREON IS PROPERTY OF THE ATH DIVISION OF MESTEK, INC. NEITHER THE PRINT NOR THE INFORMATION THEREON MAY BE REPRODUCED OR USED IN ANY MANNER WHATSOEVER OR DIVULGED TO ANY OTHER PERSON UNLESS SPECIFICALLY AUTHORIZED BY MESTEK, INC.			CHECKED BY	DATE	DRAWING NUMBER		
			RT	12/12/13	42-00007		
APPROVED BY	DATE	SHEET	SHEET SIZE	SCALE	REVISION		
JPC	12/12/13	4 of 5	B	N/A	F		



NOTES:

1. WIRE COLOR CODE SHALL BE AS FOLLOWS:
 BK-BLACK G-GREEN P-PINK W-WHITE
 BL-BLUE GY-GRAY PR-PURPLE Y-YELLOW
 BR-BROWN O-ORANGE R-RED G/Y-GREEN/YELLOW
 ()-INDICATES WIRE FROM PURCHASED PART
2. NONE
3. NONE
4. THE POWER SWITCHED CONTROL CIRCUIT MUST NOT BE USED AS A POWER SOURCE FOR FIELD CONTROL DEVICES.

WIRE CODE: ——— FACTORY WIRING - - - - - OPTIONAL WIRING
 ——— FIELD WIRING
 ——— SHIELDED CABLE, MULTI-CONDUCTOR

ALL WIRES SHALL BE #18AWG UNLESS SPECIFIED. WIRE TYPE SHALL BE TEW, 600V, STRANDED 16x30, WITH INSULATION RATED FOR 105° OR EQUIVALENT. USE CABLE TIES, CABLE FASTENERS, SPADE TERMINALS, MALE CONNECTORS, WIRENUTS, ETC. AS REQUIRED.

DIVISION	ATH	PRODUCT	KN-6 TO 10	DRAWN BY	RT	DATE	12/12/13	DRAWING DESCRIPTION							
								LADDER DIAGRAM							
THE PRINT AND ALL INFORMATION THEREON IS PROPERTY OF THE ATH DIVISION OF MESTEK, INC. NEITHER THE PRINT NOR THE INFORMATION THEREON MAY BE REPRODUCED OR USED IN ANY MANNER WHATSOEVER OR DIVULGED TO ANY OTHER PERSON UNLESS SPECIFICALLY AUTHORIZED BY MESTEK, INC.						CHECKED BY	RT	DATE	12/12/13	DRAWING NUMBER		42-00007			
				APPROVED BY	JPC	DATE	12/12/13	SHEET	5 of 5	SHEET SIZE	B	SCALE	N/A	REVISION	F