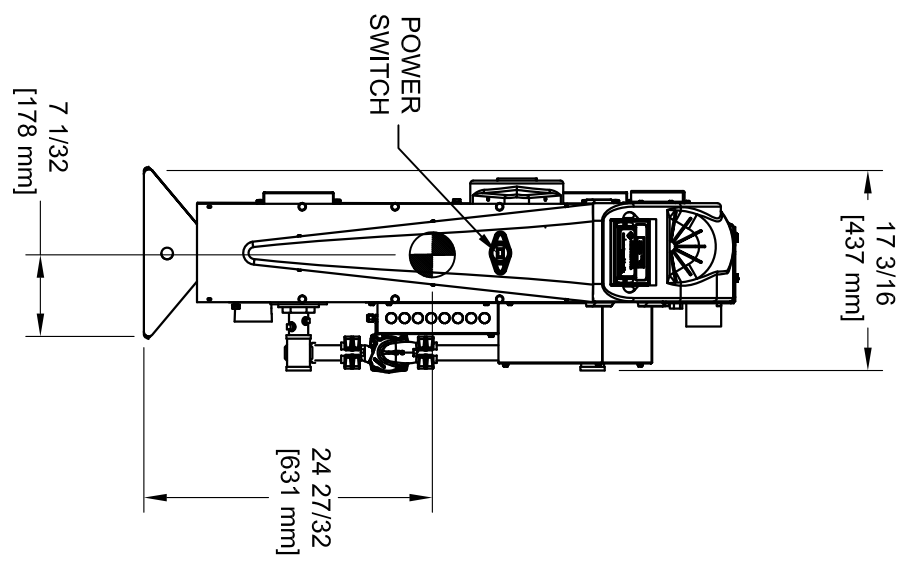
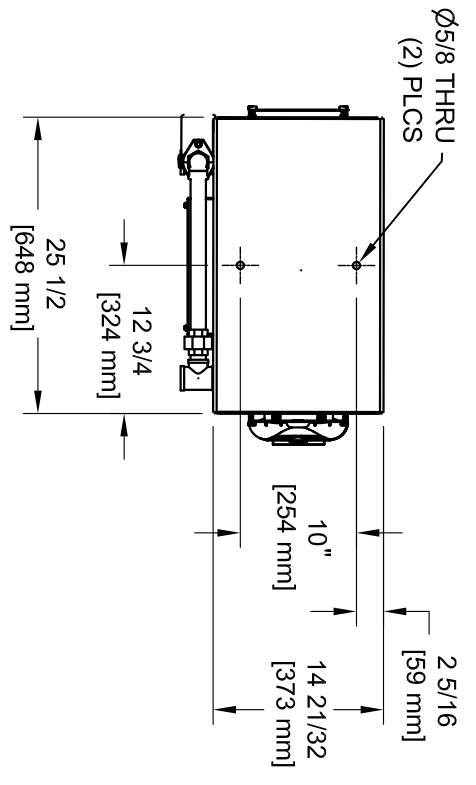


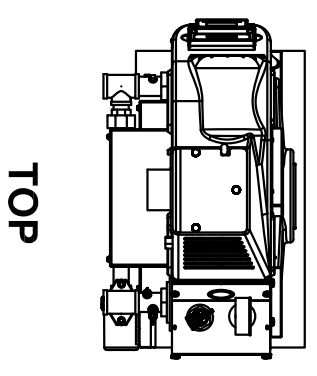
LEFT SIDE



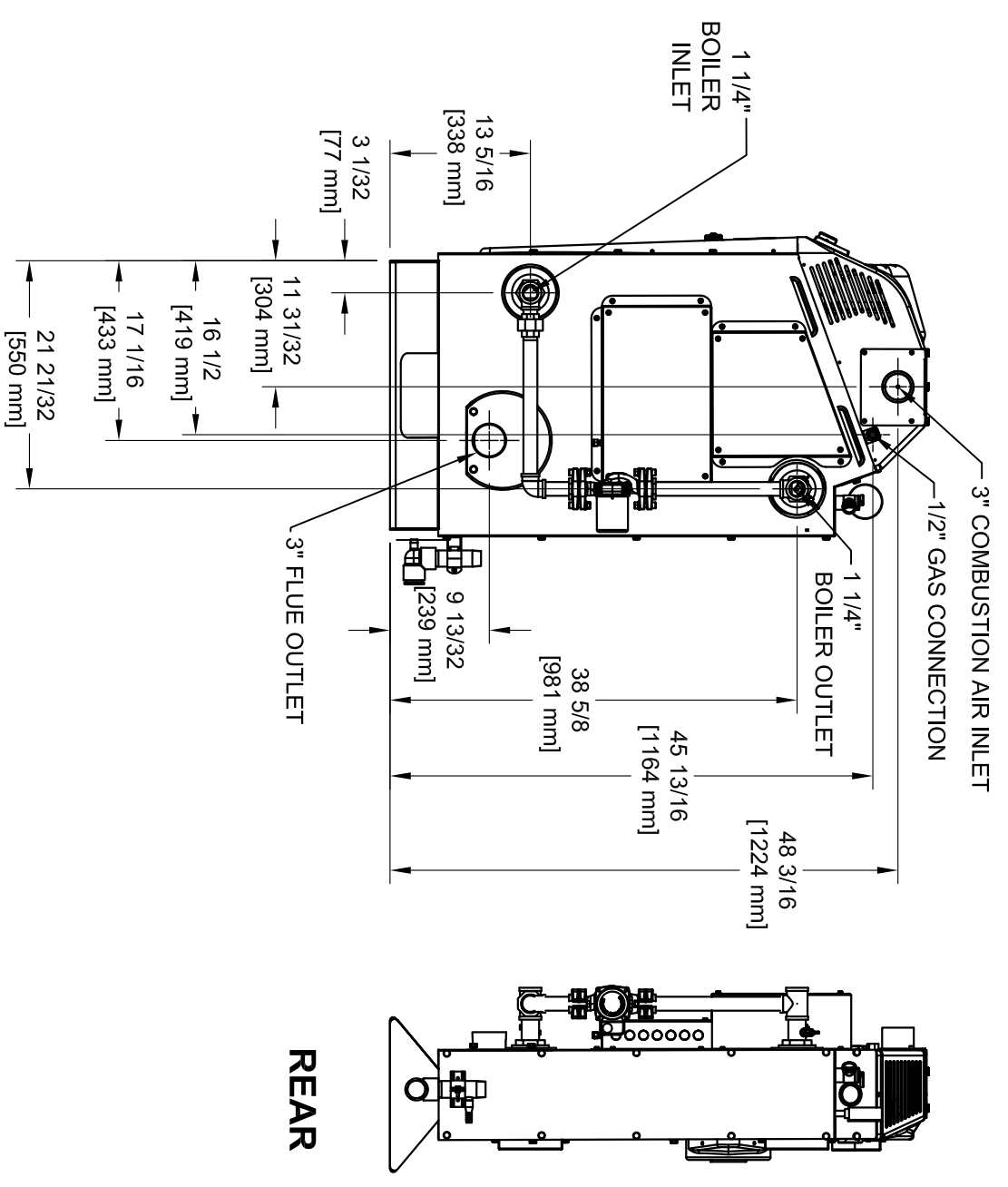
FRONT



BOTTOM



TOP



RIGHT SIDE

REAR



NOTE: Dimensions are approximate and should not be used to "rough in" equipment.