

AIRLINETM

L O U V E R S

Brick Vents Flanged Frame

STANDARD MATERIALS AND CONSTRUCTION

- FRAME:** .125" thick (nominal) extruded aluminum.
- BLADE:** .125" thick (nominal) extruded aluminum.
- SCREEN:** 1⁵/₁₆ Mesh, .011" dia. aluminum wire, insect screen.
- FINISH:** Clear anodized finish is standard.

OPTIONS

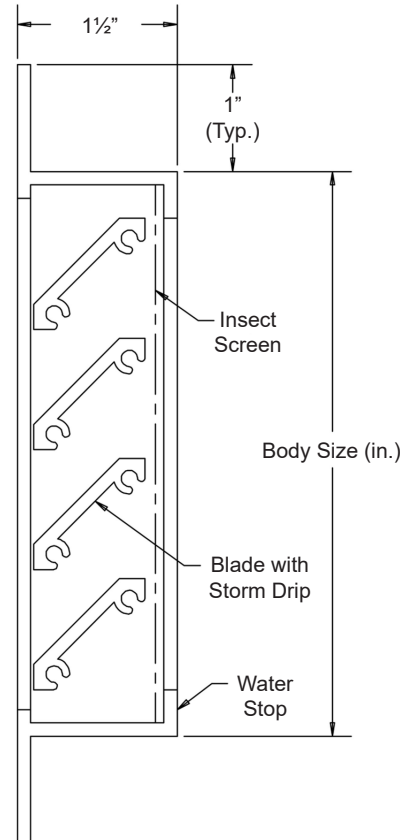
Finish - Baked Enamel, Kynar, Anodize

NOTES

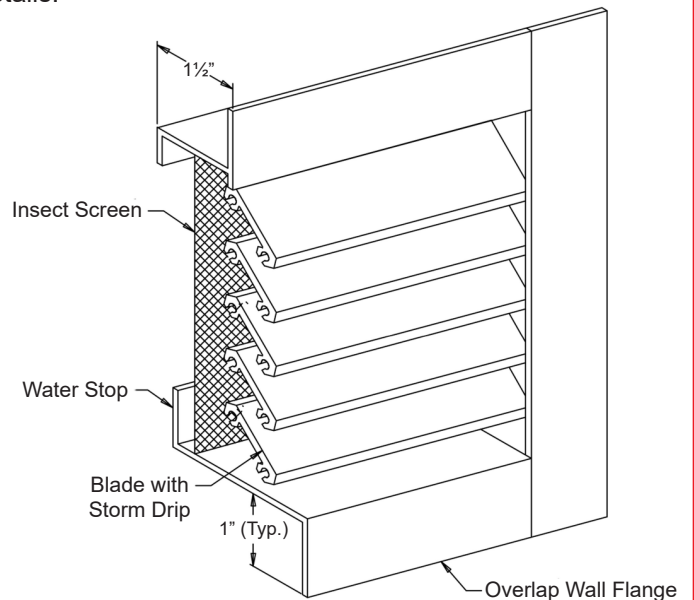
1. Nominal deductions will be made from opening dimensions given unless otherwise stated.
2. Many stock sizes are available for immediate shipment. Brick vents are also available in practically any width or height.

BRICK VENT SIZES

Stock Sizes Available		Minimum Opening Size	Free Area (Sq. In.)
Model No.	Body Size		
825	8 ¹ / ₈ " x 2 ³ / ₈ "	8 ¹ / ₂ " x 2 ⁵ / ₈ "	4.18
847	8 ¹ / ₈ " x 4 ³ / ₄ "	8 ¹ / ₂ " x 5"	11.52
808	8 ¹ / ₈ " x 7 ³ / ₄ "	8 ¹ / ₂ " x 8"	19.58
162	16 ¹ / ₂ " x 2 ³ / ₈ "	17" x 2 ⁵ / ₈ "	8.64
164	16 ¹ / ₂ " x 4 ³ / ₄ "	17" x 5"	28.22
168	16 ¹ / ₂ " x 7 ³ / ₄ "	17" x 8"	40.32
123	12" x 2 ³ / ₈ "	12 ¹ / ₂ " x 2 ⁵ / ₈ "	6.34
125	12" x 4 ³ / ₄ "	12 ¹ / ₂ " x 5"	17.28
244	24" x 4 ³ / ₄ "	24 ¹ / ₂ " x 5"	39.02
248	24" x 7 ³ / ₄ "	24 ¹ / ₂ " x 8"	58.75



For custom size Brick Vents, contact customer service for details.



Please use the Brick Vent order form on page 2 for handwritten orders.

In the interest of product development, Airline Louvers reserves the right to make changes without notice.

1020 Prince Frederick Blvd. Suite 305 • Prince Frederick, MD 20687 • Phone: (570) 420-7079 • Fax: (570) 420-7078

