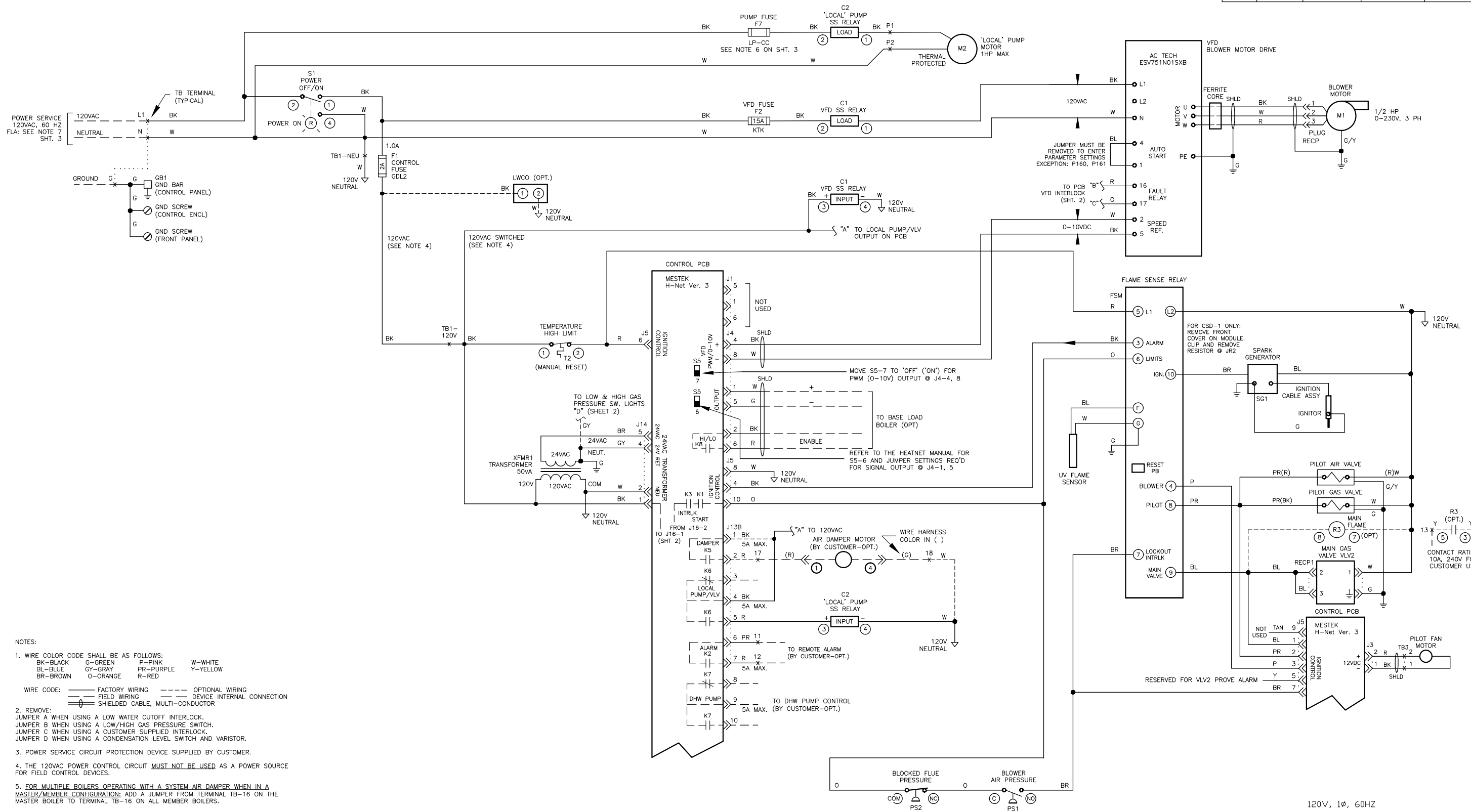


REVISIONS				
REV.	EN NO.	DATE	DRAWN BY	APPROVED
K	11129	09/19/17	LAH	JAS



- NOTES:
- WIRE COLOR CODE SHALL BE AS FOLLOWS:  
 BK-BLACK G-GREEN P-PINK W-WHITE  
 BL-BLUE GY-GRAY PR-PURPLE Y-YELLOW  
 BR-BROWN O-ORANGE R-RED
  - WIRE CODE: ——— FACTORY WIRING ——— OPTIONAL WIRING  
 ——— FIELD WIRING ——— DEVICE INTERNAL CONNECTION  
 ——— SHIELDED CABLE, MULTI-CONDUCTOR
  - REMOVE:  
 JUMPER A WHEN USING A LOW WATER CUTOFF INTERLOCK.  
 JUMPER B WHEN USING A LOW/HIGH GAS PRESSURE SWITCH.  
 JUMPER C WHEN USING A CUSTOMER SUPPLIED INTERLOCK.  
 JUMPER D WHEN USING A CONDENSATION LEVEL SWITCH AND VARISTOR.
  - POWER SERVICE CIRCUIT PROTECTION DEVICE SUPPLIED BY CUSTOMER.
  - THE 120VAC POWER CONTROL CIRCUIT MUST NOT BE USED AS A POWER SOURCE FOR FIELD CONTROL DEVICES.
  - FOR MULTIPLE BOILERS OPERATING WITH A SYSTEM AIR DAMPER WHEN IN A MASTER/MEMBER CONFIGURATION: ADD A JUMPER FROM TERMINAL TB-16 ON THE MASTER BOILER TO TERMINAL TB-16 ON ALL MEMBER BOILERS.
  - 
  - HEATNET ONLINE, STAGE 2, 3, 4 AND SYSTEM PUMP 2 OUTPUTS ARE NOT AVAILABLE WITH THE H-NET 'LITE' CONTROL PCB.

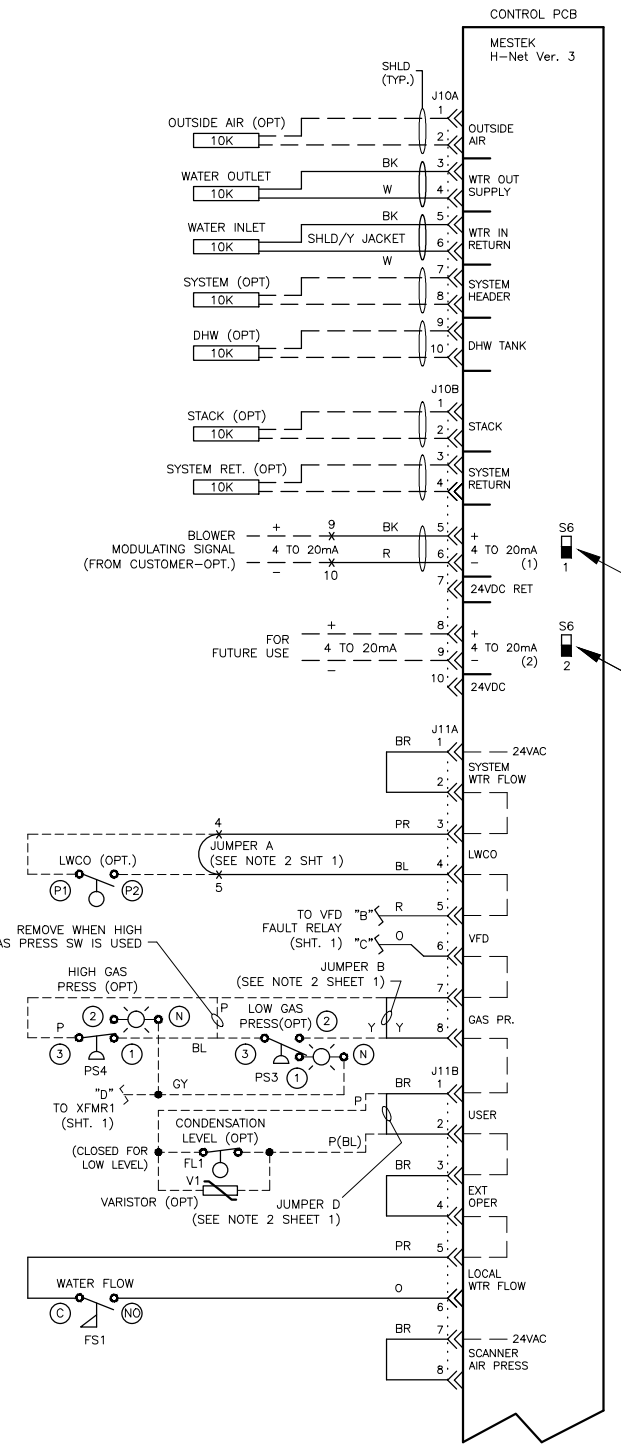
DIVISION	PRODUCT	DRAWN BY	DATE	DRAWING DESCRIPTION		
RBI	CB & CW 500 TO 1000	RT	07/15/09	LADDER DIAGRAM		
THE PRINT AND ALL INFORMATION THEREON IS PROPERTY OF THE RBI DIVISION OF MESTEK, INC. NEITHER THE PRINT NOR THE INFORMATION THEREON MAY BE REPRODUCED OR USED IN ANY MANNER WHATSOEVER OR DIVULGED TO ANY OTHER PERSON UNLESS SPECIFICALLY AUTHORIZED BY MESTEK, INC.			CHECKED BY	DATE	DRAWING NUMBER	
			RT	07/15/09	42-0551	
APPROVED BY	DATE	SHEET	SHEET SIZE	SCALE	REVISION	
JPC	07/15/09	1 of 5	B	N/A	K	

D  
C  
B  
A

D  
C  
B  
A

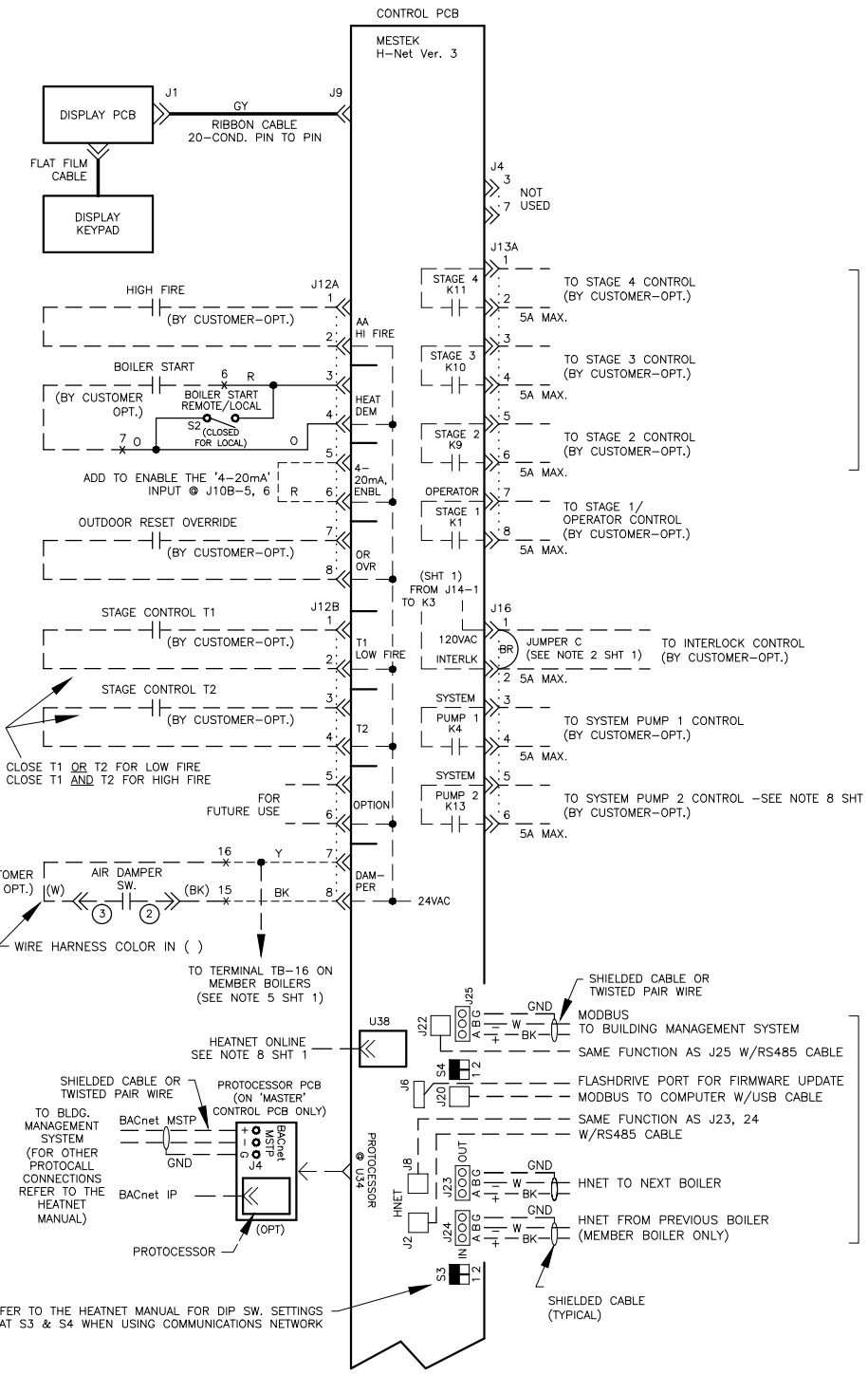
TEMPERATURE SENSORS  
(10K THERMISTOR INPUTS)

INTERLOCKS  
(DRY CONTACT OR JUMPER INPUTS)



STAGE CONTROL OR JUMPER INPUTS  
(DRY CONTACT OR JUMPER INPUTS)

HEATNET COMMUNICATIONS  
(OPTIONAL)

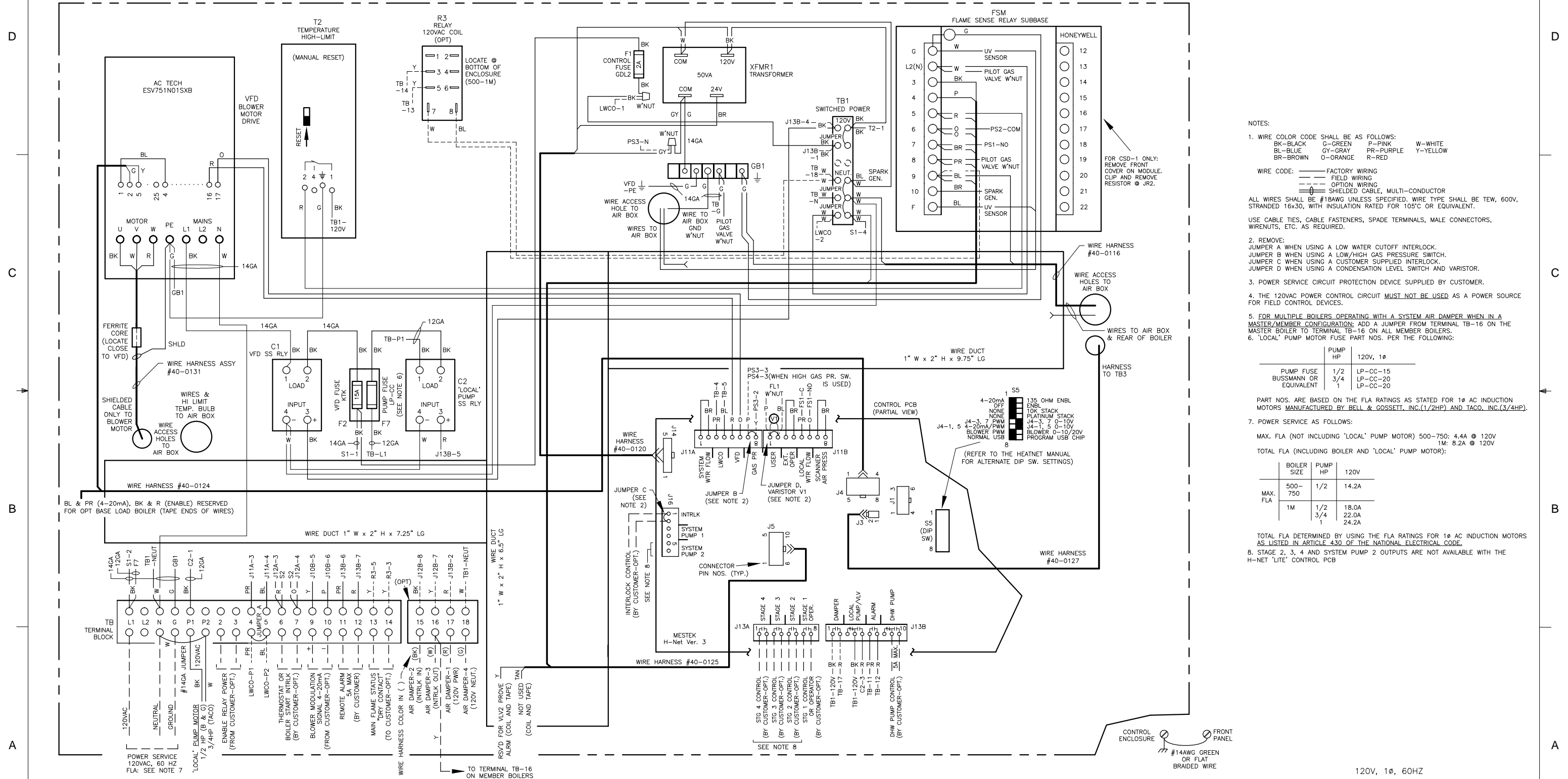


SEE NOTE 8 SHT 1

REFERENCE THE HEATNET MANUAL & W/D 42-0505 (OPTIONAL)

120V, 1Ø, 60HZ

DIVISION	PRODUCT	DRAWN BY	DATE	DRAWING DESCRIPTION			
RBI	CB & CW 500 TO 1000	RT	07/15/09	LADDER DIAGRAM			
THE PRINT AND ALL INFORMATION THEREON IS PROPERTY OF THE RBI DIVISION OF MESTEK, INC. NEITHER THE PRINT NOR THE INFORMATION THEREON MAY BE REPRODUCED OR USED IN ANY MANNER WHATSOEVER OR DIVULGED TO ANY OTHER PERSON UNLESS SPECIFICALLY AUTHORIZED BY MESTEK, INC.			CHECKED BY	DATE	DRAWING NUMBER		
			RT	07/15/09	42-0551		
APPROVED BY	DATE	SHEET	SHEET SIZE	SCALE	REVISION		
JPC	07/15/09	2 of 5	B	N/A	K		



NOTES:

- WIRE COLOR CODE SHALL BE AS FOLLOWS:  
 BK-BLACK G-GREEN P-PINK W-WHITE  
 BL-BLUE GY-GRAY PR-PURPLE Y-YELLOW  
 BR-BROWN O-ORANGE R-RED
- REMOVE JUMPER A WHEN USING A LOW WATER CUTOFF INTERLOCK.  
 JUMPER B WHEN USING A LOW/HIGH GAS PRESSURE SWITCH.  
 JUMPER C WHEN USING A CUSTOMER SUPPLIED INTERLOCK.  
 JUMPER D WHEN USING A CONDENSATION LEVEL SWITCH AND VARISTOR.
- POWER SERVICE CIRCUIT PROTECTION DEVICE SUPPLIED BY CUSTOMER.
- THE 120VAC POWER CONTROL CIRCUIT MUST NOT BE USED AS A POWER SOURCE FOR FIELD CONTROL DEVICES.
- FOR MULTIPLE BOILERS OPERATING WITH A SYSTEM AIR DAMPER WHEN IN A MASTER/MEMBER CONFIGURATION: ADD A JUMPER FROM TERMINAL TB-16 ON THE MASTER BOILER TO TERMINAL TB-16 ON ALL MEMBER BOILERS.
- 'LOCAL' PUMP MOTOR FUSE PART NOS. PER THE FOLLOWING:

	PUMP HP	120V, 1Ø
PUMP FUSE BUSSMANN OR EQUIVALENT	1/2	LP-CC-15
	3/4	LP-CC-20
	1	LP-CC-20

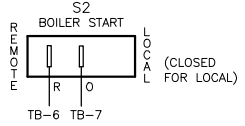
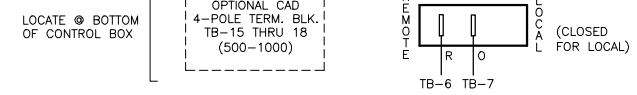
PART NOS. ARE BASED ON THE FLA RATINGS AS STATED FOR 1Ø AC INDUCTION MOTORS MANUFACTURED BY BELL & GOSSETT, INC.(1/2HP) AND TACO, INC.(3/4HP).

7. POWER SERVICE AS FOLLOWS:  
 MAX. FLA (NOT INCLUDING 'LOCAL' PUMP MOTOR) 500-750: 4.4A @ 120V  
 TOTAL FLA (INCLUDING BOILER AND 'LOCAL' PUMP MOTOR):

BOILER SIZE	PUMP HP	120V
500-750	1/2	14.2A
MAX. FLA	1/2	18.0A
	3/4	22.0A
	1	24.2A

TOTAL FLA DETERMINED BY USING THE FLA RATINGS FOR 1Ø AC INDUCTION MOTORS AS LISTED IN ARTICLE 430 OF THE NATIONAL ELECTRICAL CODE.

8. STAGE 2, 3, 4 AND SYSTEM PUMP 2 OUTPUTS ARE NOT AVAILABLE WITH THE H-NET 'LITE' CONTROL PCB



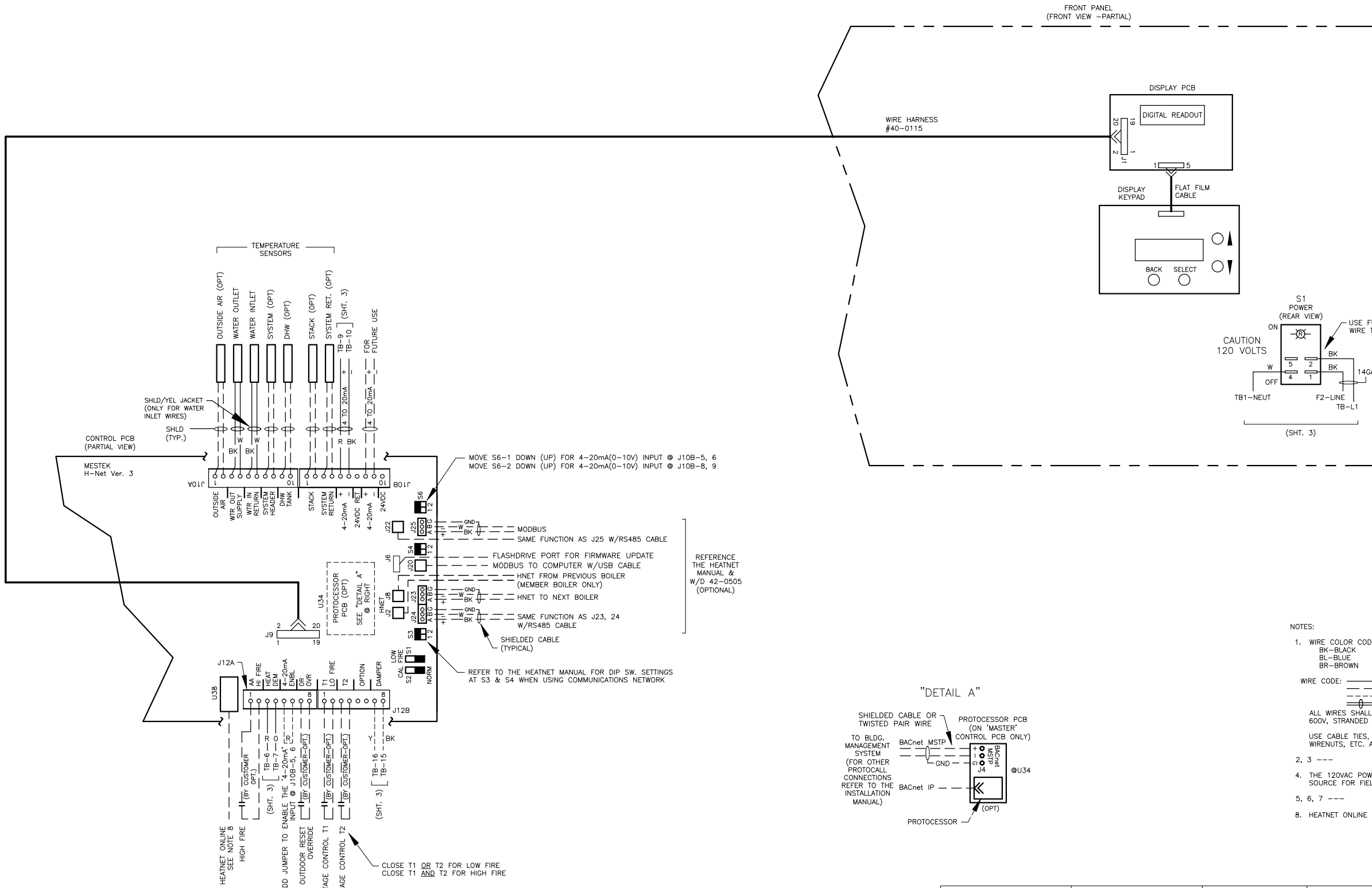
DIVISION	PRODUCT	DRAWN BY	DATE	DRAWING DESCRIPTION		
RBI	CB & CW 500 TO 1000	RT	07/15/09	CONNECTION DIAGRAM		
THE PRINT AND ALL INFORMATION THEREON IS PROPERTY OF THE RBI DIVISION OF MESTEK, INC. NEITHER THE PRINT NOR THE INFORMATION THEREON MAY BE REPRODUCED OR USED IN ANY MANNER WHATSOEVER OR DIVULGED TO ANY OTHER PERSON UNLESS SPECIFICALLY AUTHORIZED BY MESTEK, INC.		CHECKED BY	DATE	DRAWING NUMBER		
		RT	07/15/09	42-0551		
APPROVED BY	DATE	SHEET	SHEET SIZE	SCALE	REVISION	
JPC	07/15/09	3 of 5	B	N/A	K	

D

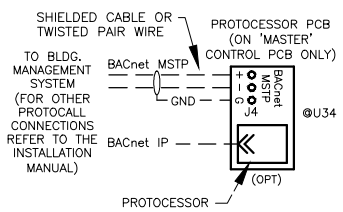
C

B

A



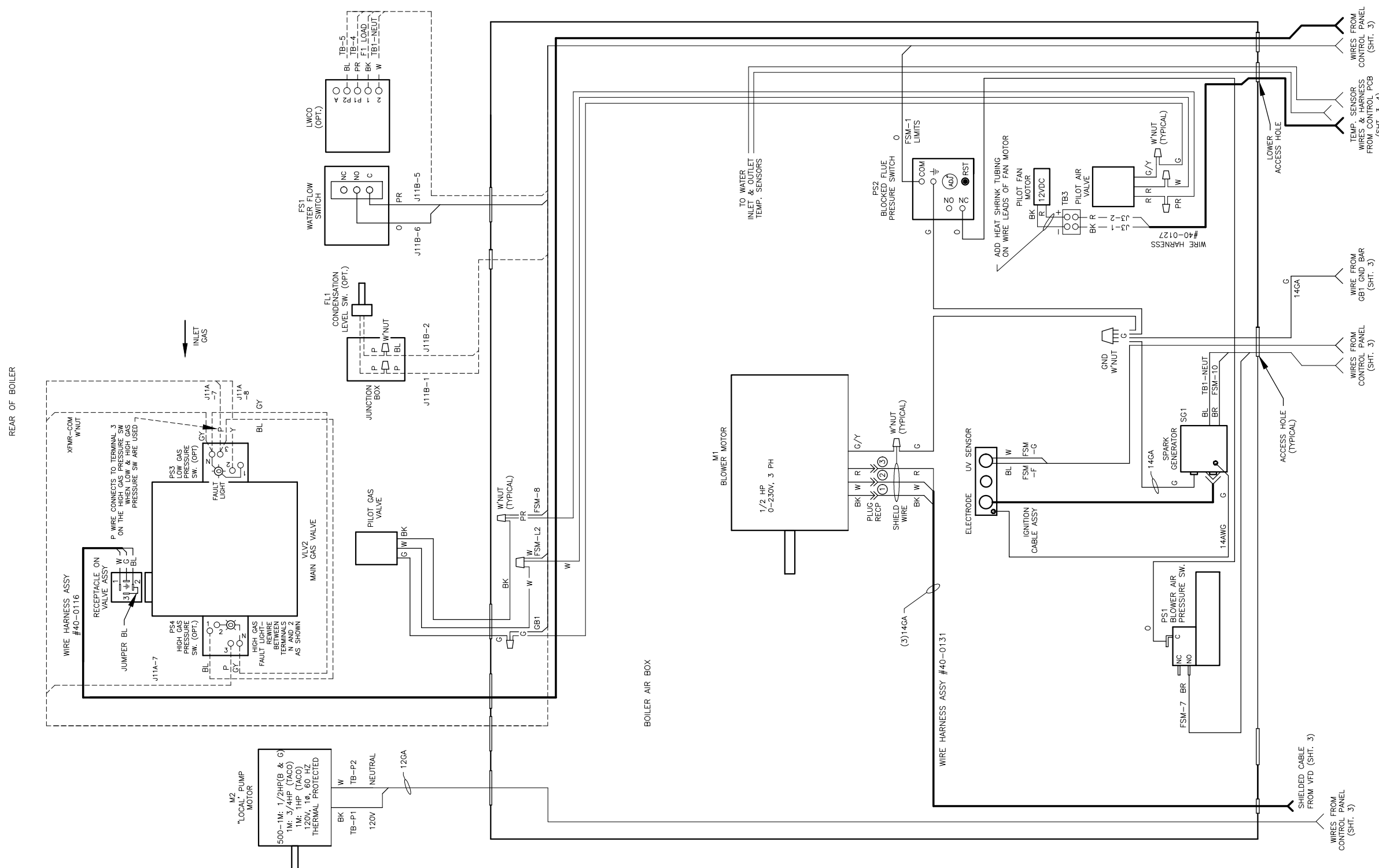
"DETAIL A"



- NOTES:
1. WIRE COLOR CODE SHALL BE AS FOLLOWS:  
 BK-BLACK G-GREEN P-PINK W-WHITE  
 BL-BLUE GR-GRAY PR-PURPLE Y-YELLOW  
 BR-BROWN O-ORANGE R-RED
  2. 3 ---  
 --- FACTORY WIRING  
 --- FIELD WIRING  
 --- OPTION WIRING  
 --- SHIELDED CABLE, MULTI-CONDUCTOR
  3. ---  
 ALL WIRES SHALL BE #18AWG UNLESS SPECIFIED. WIRE TYPE SHALL BE TEW, 600V, STRANDED 16x30, WITH INSULATION RATED FOR 105°C OR EQUIVALENT.
  4. USE CABLE TIES, CABLE FASTENERS, SPADE TERMINALS, MALE CONNECTORS, WIRENUTS, ETC. AS REQUIRED.
  5. 6, 7 ---
  6. THE 120VAC POWER CONTROL CIRCUIT **MUST NOT BE USED** AS A POWER SOURCE FOR FIELD CONTROL DEVICES.
  7. 8 ---
  8. HEATNET ONLINE NOT AVAILABLE WITH THE H-NET 'LITE' CONTROL PCB.

120V, 1Ø, 60HZ

DIVISION	RBI	PRODUCT	CB & CW 500 TO 1000	DRAWN BY	RT	DATE	07/15/09	DRAWING DESCRIPTION							
								CONNECTION DIAGRAM							
								DRAWING NUMBER							
								42-0551							
								SHEET		SHEET SIZE		SCALE		REVISION	
								4 of 5		B		N/A		K	
						APPROVED BY	JPC	DATE	07/15/09						
<p>THE PRINT AND ALL INFORMATION THEREON IS PROPERTY OF THE RBI DIVISION OF MESTEK, INC. NEITHER THE PRINT NOR THE INFORMATION THEREON MAY BE REPRODUCED OR USED IN ANY MANNER WHATSOEVER OR DIVULGED TO ANY OTHER PERSON UNLESS SPECIFICALLY AUTHORIZED BY MESTEK, INC.</p>															



NOTES:

1. WIRE COLOR CODE SHALL BE AS FOLLOWS:  
 BK-BLACK  
 G-GREEN  
 BL-BLUE  
 BR-BROWN  
 W-WHITE  
 P-PINK  
 G-GRAY  
 PR-PURPLE  
 R-RED

WIRE CODE:  
 --- FACTORY WIRING  
 --- OPTION WIRING  
 --- SHIELDED CABLE, MULTI-CONDUCTOR  
 ALL WIRES SHALL BE #18AWG UNLESS SPECIFIED. WIRE TYPE SHALL BE TEW, 600V, STRANDED 16x30, WITH INSULATION RATED FOR 105°C OR EQUIVALENT. USE CABLE TIES, CABLE FASTENERS, SPADE TERMINALS, MALE CONNECTORS, WIRENUTS, ETC. AS REQUIRED.

120V, 1Ø, 60HZ

DIVISION	PRODUCT	DRAWN BY	DATE	DRAWING DESCRIPTION		
RBI	CB & CW 500 TO 1000	RT	07/15/09	CONNECTION DIAGRAM		
THE PRINT AND ALL INFORMATION THEREON IS PROPERTY OF THE RBI DIVISION OF MESTEK, INC. NEITHER THE PRINT NOR THE INFORMATION THEREON MAY BE REPRODUCED OR USED IN ANY MANNER WHATSOEVER OR DIVULGED TO ANY OTHER PERSON UNLESS SPECIFICALLY AUTHORIZED BY MESTEK, INC.			CHECKED BY	DATE	DRAWING NUMBER	
			RT	07/15/09	42-0551	
APPROVED BY	DATE	SHEET	SHEET SIZE	SCALE	REVISION	
JPC	07/15/09	5 of 5	B	N/A	K	