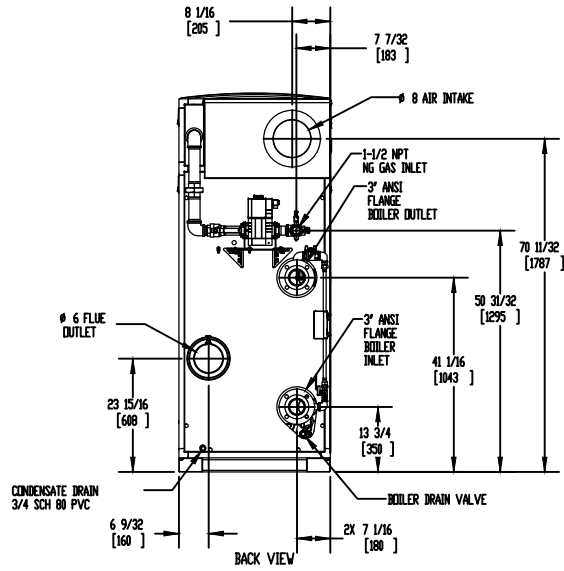
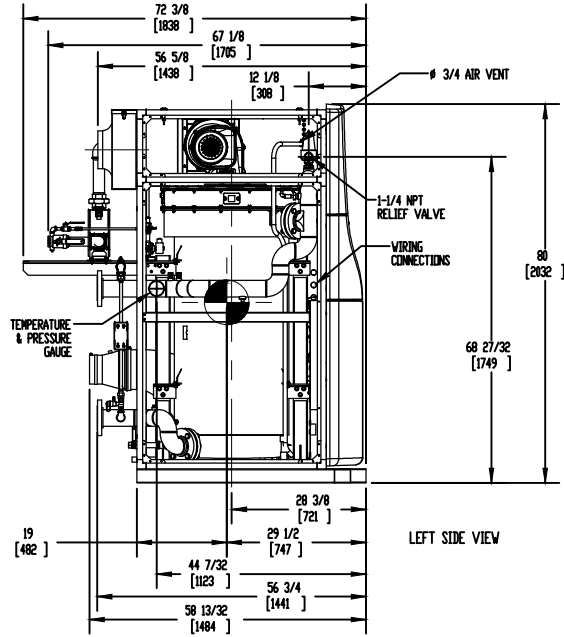


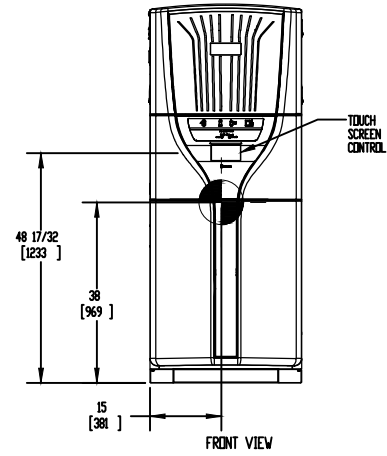
TOP VIEW



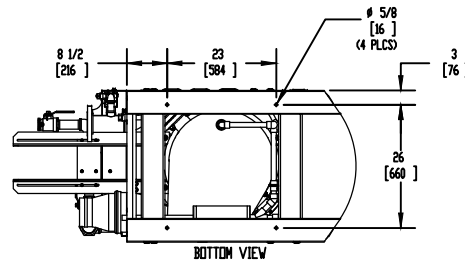
BACK VIEW



LEFT SIDE VIEW



FRONT VIEW



BOTTOM VIEW

- NOTES:
1. - SYMBOL INDICATES CENTER OF GRAVITY.
 2. DIMENSIONS ARE NOMINAL AND SUBJECT TO MANUFACTURING VARIATION AND SHOULD NOT BE USED FOR ROUGHING IN.
 3. ALL DIMENSIONS ARE INCHES (mm).