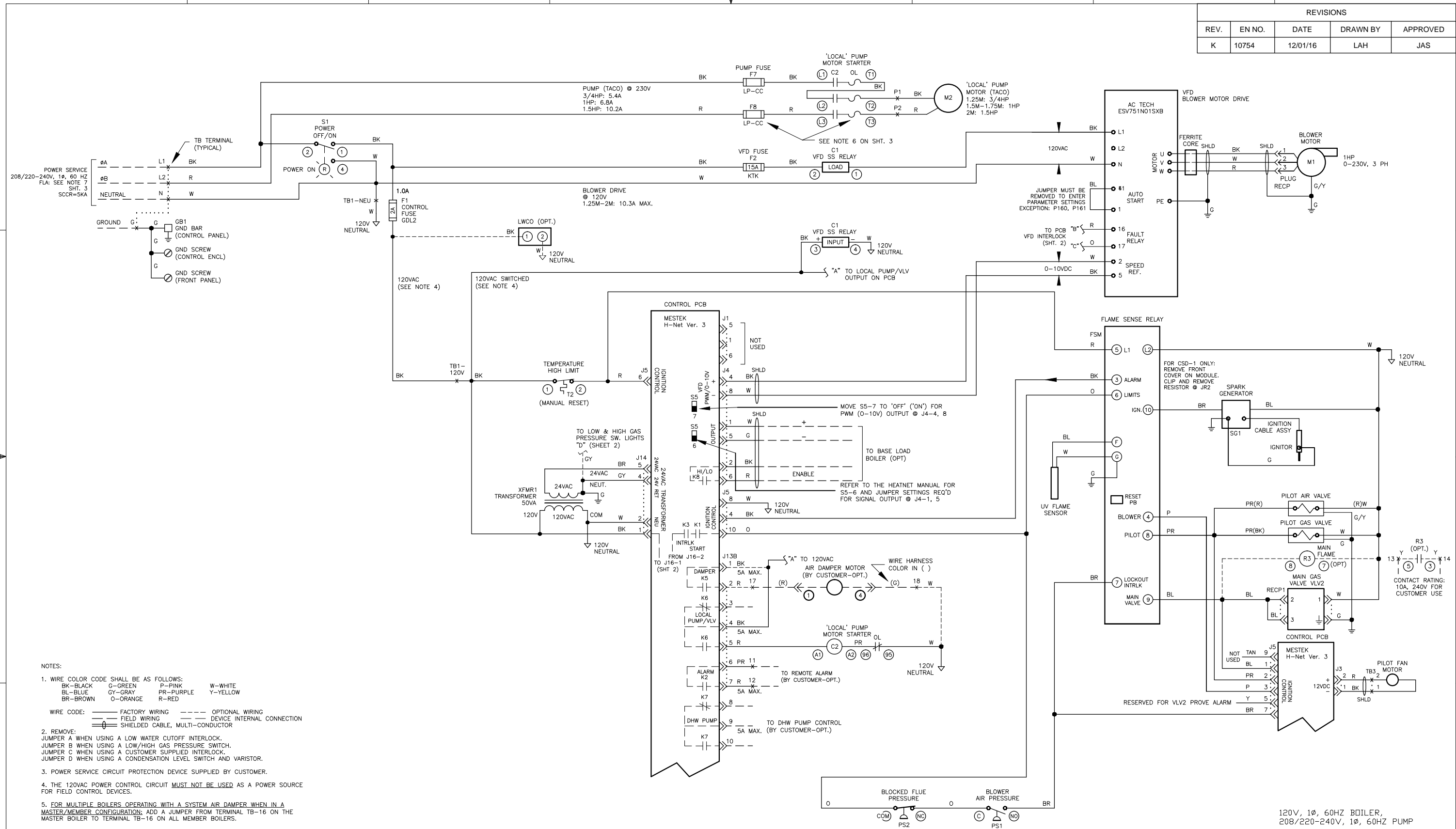


REVISIONS				
REV.	EN NO.	DATE	DRAWN BY	APPROVED
K	10754	12/01/16	LAH	JAS



- NOTES:
- WIRE COLOR CODE SHALL BE AS FOLLOWS:
 BK-BLACK G-GREEN P-PINK W-WHITE
 BL-BLUE GY-GRAY PR-PURPLE Y-YELLOW
 BR-BROWN O-ORANGE R-RED
 - WIRE CODE: ——— FACTORY WIRING ——— OPTIONAL WIRING
 ——— FIELD WIRING ——— DEVICE INTERNAL CONNECTION
 ⊕ SHIELDED CABLE, MULTI-CONDUCTOR
 - REMOVE:
 JUMPER A WHEN USING A LOW WATER CUTOFF INTERLOCK.
 JUMPER B WHEN USING A LOW/HIGH GAS PRESSURE SWITCH.
 JUMPER C WHEN USING A CUSTOMER SUPPLIED INTERLOCK.
 JUMPER D WHEN USING A CONDENSATION LEVEL SWITCH AND VARISTOR.
 - POWER SERVICE CIRCUIT PROTECTION DEVICE SUPPLIED BY CUSTOMER.
 - THE 120VAC POWER CONTROL CIRCUIT MUST NOT BE USED AS A POWER SOURCE FOR FIELD CONTROL DEVICES.
 - FOR MULTIPLE BOILERS OPERATING WITH A SYSTEM AIR DAMPER WHEN IN A MASTER/MEMBER CONFIGURATION: ADD A JUMPER FROM TERMINAL TB-16 ON THE MASTER BOILER TO TERMINAL TB-16 ON ALL MEMBER BOILERS.
 -
 - HEATNET ONLINE, STAGE 2, 3, 4 AND SYSTEM PUMP 2 OUTPUTS ARE NOT AVAILABLE WITH THE H-NET 'LITE' CONTROL PCB.

DIVISION	PRODUCT	DRAWN BY	DATE	DRAWING DESCRIPTION		
RBI	CB & CW 1250 TO 2000	RT	07/15/09	LADDER DIAGRAM		
THE PRINT AND ALL INFORMATION THEREON IS PROPERTY OF THE RBI DIVISION OF MESTEK, INC. NEITHER THE PRINT NOR THE INFORMATION THEREON MAY BE REPRODUCED OR USED IN ANY MANNER WHATSOEVER OR DIVULGED TO ANY OTHER PERSON UNLESS SPECIFICALLY AUTHORIZED BY MESTEK, INC.				CHECKED BY	DATE	DRAWING NUMBER
				RT	07/15/09	42-0552
APPROVED BY	DATE	SHEET	SHEET SIZE	SCALE	REVISION	
JPC	07/15/09	1 of 5	B	N/A	K	

D

C

B

A

D

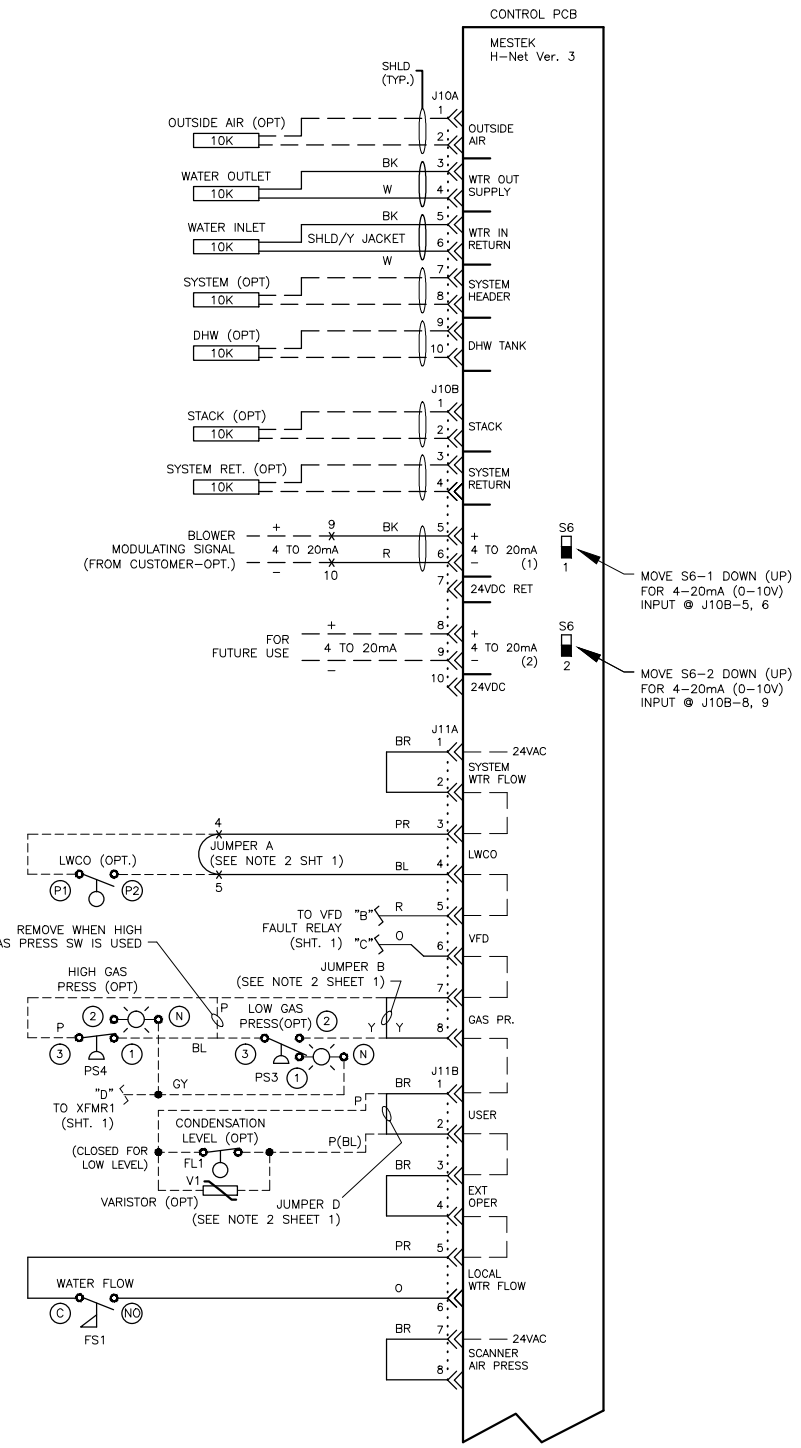
C

B

A

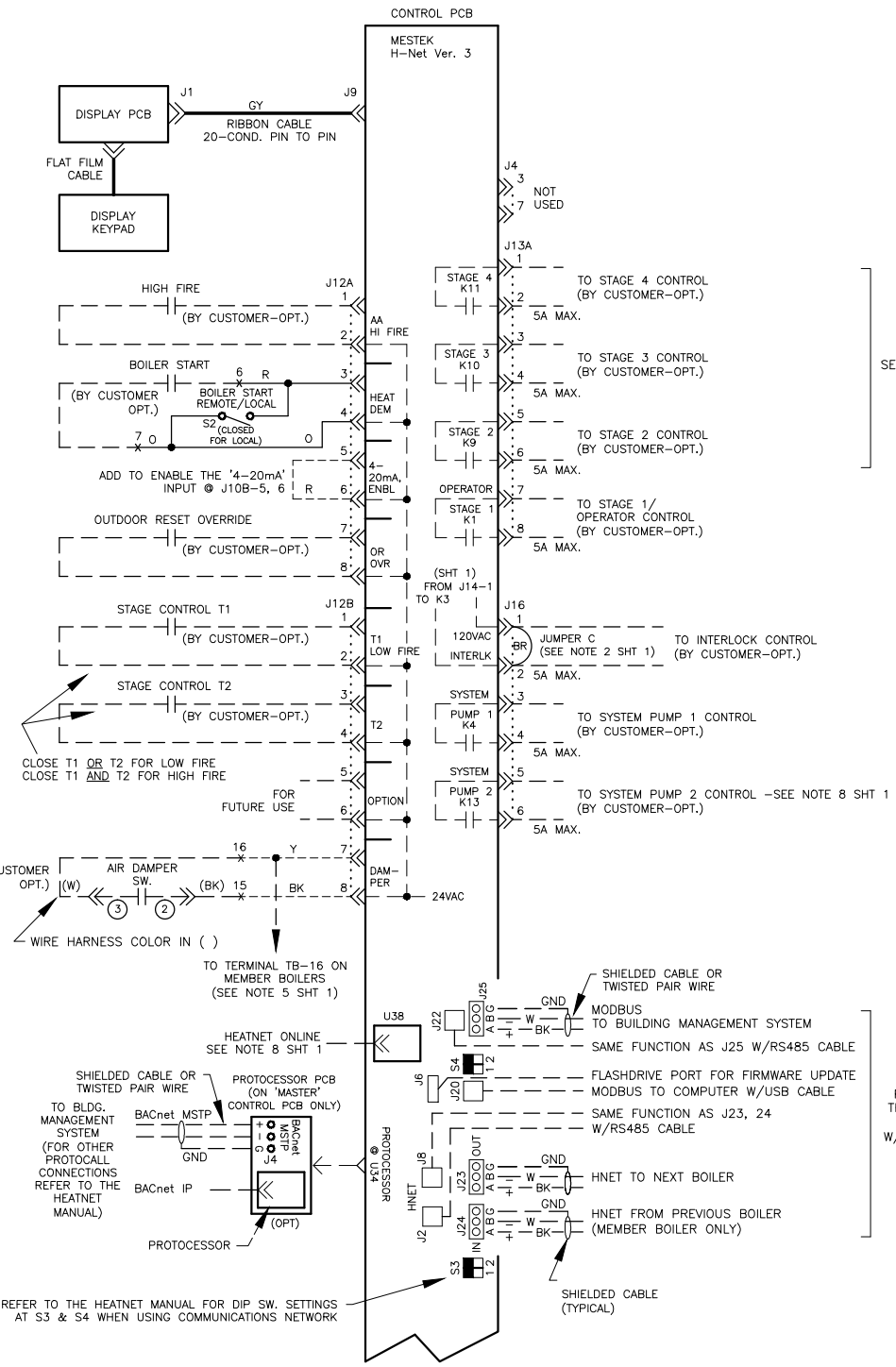
TEMPERATURE SENSORS
(10K THERMISTOR INPUTS)

INTERLOCKS
(DRY CONTACT OR JUMPER INPUTS)



STAGE CONTROL OR JUMPER INPUTS
(DRY CONTACT OR JUMPER INPUTS)

HEATNET COMMUNICATIONS
(OPTIONAL)



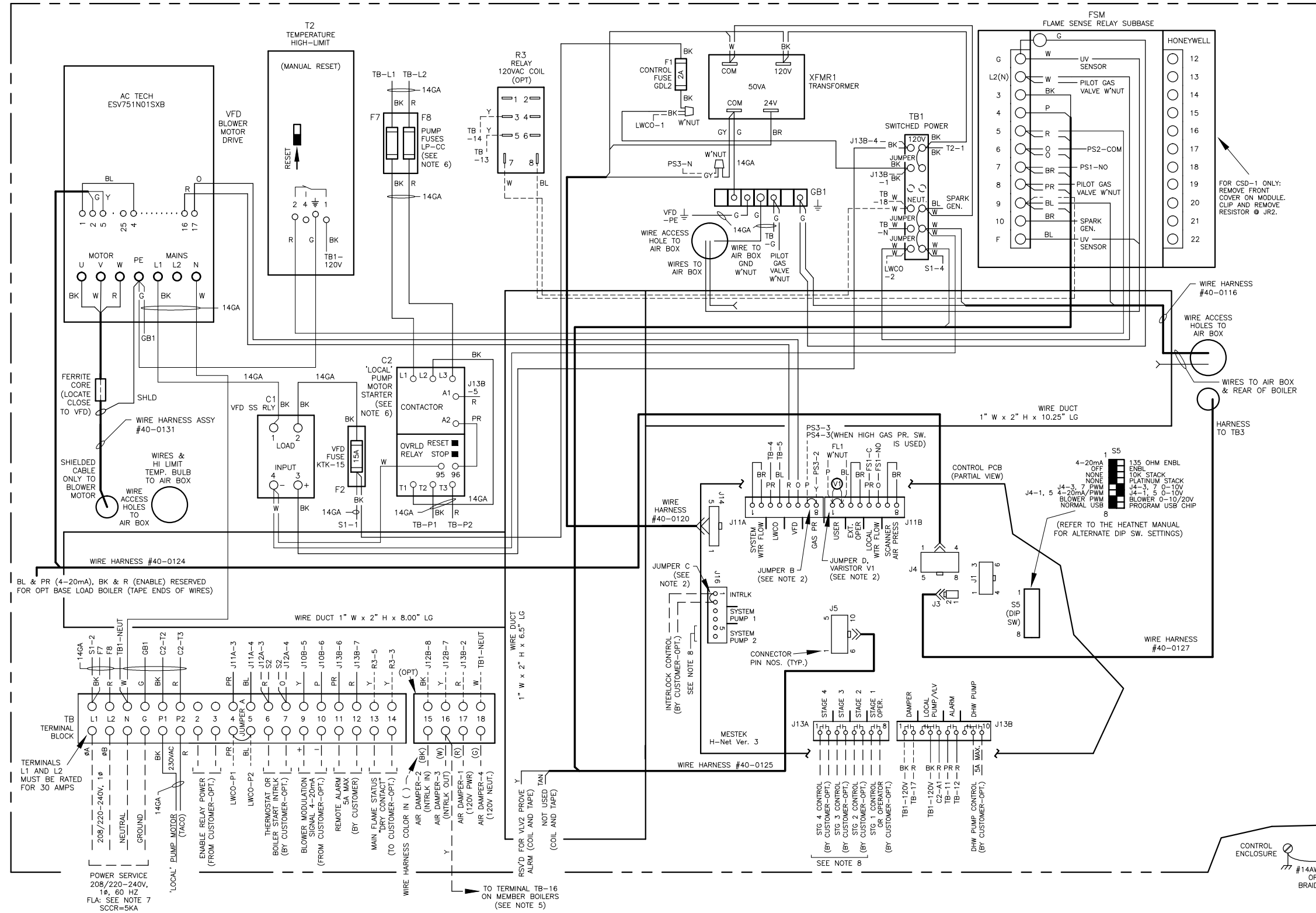
SEE NOTE 8 SHT 1

REFERENCE THE HEATNET MANUAL & W/D 42-0505 (OPTIONAL)

120V, 1Ø, 60HZ BOILER,
208/220-240V, 1Ø, 60HZ PUMP

DIVISION	PRODUCT	DRAWN BY	DATE	DRAWING DESCRIPTION				
RBI	CB & CW 1250 TO 2000	RT	07/15/09	LADDER DIAGRAM				
THE PRINT AND ALL INFORMATION THEREON IS PROPERTY OF THE RBI DIVISION OF MESTEK, INC. NEITHER THE PRINT NOR THE INFORMATION THEREON MAY BE REPRODUCED OR USED IN ANY MANNER WHATSOEVER OR DIVULGED TO ANY OTHER PERSON UNLESS SPECIFICALLY AUTHORIZED BY MESTEK, INC.			CHECKED BY	DATE	DRAWING NUMBER			
			RT	07/15/09	42-0552			
			APPROVED BY	DATE	SHEET	SHEET SIZE	SCALE	REVISION
			JPC	07/15/09	2 of 5	B	N/A	K

CONTROL PANEL ASSY



NOTES:

- WIRE COLOR CODE SHALL BE AS FOLLOWS:
 BK-BLACK G-GREEN P-PINK W-WHITE
 BL-BLUE GY-GRAY PR-PURPLE Y-YELLOW
 BR-BROWN O-ORANGE R-RED
- REMOVE JUMPER A WHEN USING A LOW WATER CUTOFF INTERLOCK.
 JUMPER B WHEN USING A LOW/HIGH GAS PRESSURE SWITCH.
 JUMPER C WHEN USING A CUSTOMER SUPPLIED INTERLOCK.
 JUMPER D WHEN USING A CONDENSATION LEVEL SWITCH AND VARISTOR.
- POWER SERVICE CIRCUIT PROTECTION DEVICE SUPPLIED BY CUSTOMER.
- THE 120VAC POWER CONTROL CIRCUIT MUST NOT BE USED AS A POWER SOURCE FOR FIELD CONTROL DEVICES.
- FOR MULTIPLE BOILERS OPERATING WITH A SYSTEM AIR DAMPER WHEN IN A MASTER/MEMBER CONFIGURATION: ADD A JUMPER FROM TERMINAL TB-16 ON THE MASTER BOILER TO TERMINAL TB-16 ON ALL MEMBER BOILERS.
- 'LOCAL' PUMP MOTOR CONTACTOR, OVERLOAD RELAY AND FUSE PART NOS. PER THE FOLLOWING:

	PUMP HP	208/220-240V, 1φ
CONTACTOR SCHNEIDER ELECT.	3/4 1 1-1/2	LC1D12G7
OVERLOAD SCHNEIDER ELECT.	3/4 1 1-1/2	LRD10 (4-6A) LRD12 (5.5-8A) LRD16 (9-13A)
PUMP FUSE BUSSMANN OR EQUIVALENT	3/4 1 1-1/2	LP-CC-10 LP-CC-15 LP-CC-15

PART NOS. ARE BASED ON THE FLA RATINGS AS STATED FOR 1φ AC INDUCTION MOTORS MANUFACTURED BY TACO, INC.

7. POWER SERVICE AS FOLLOWS:
 MAX. FLA (NOT INCLUDING 'LOCAL' PUMP MOTOR): 11.3A @ 230V, 1φ
 TOTAL FLA (INCLUDING BOILER AND 'LOCAL' PUMP MOTOR):

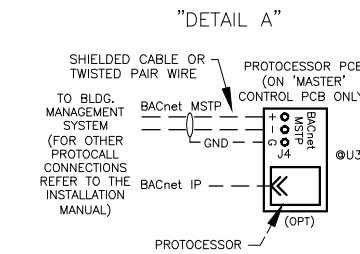
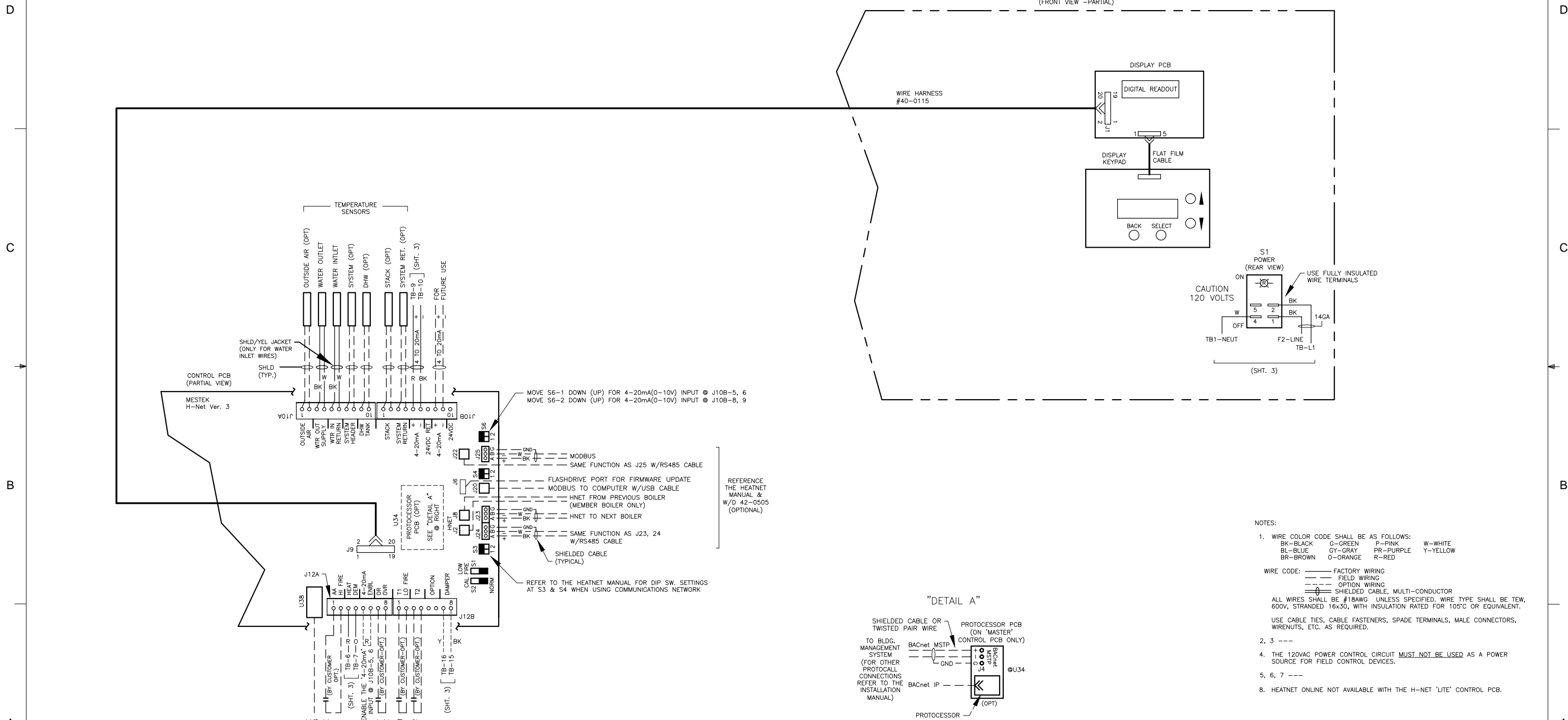
	PUMP HP	230V, 1φ
MAX. FLA	3/4 1 1-1/2	16.7A 18.1A 21.5A

TOTAL FLA DETERMINED BY USING THE FLA RATINGS FOR 1φ AC INDUCTION MOTORS MANUFACTURED BY TACO, INC.

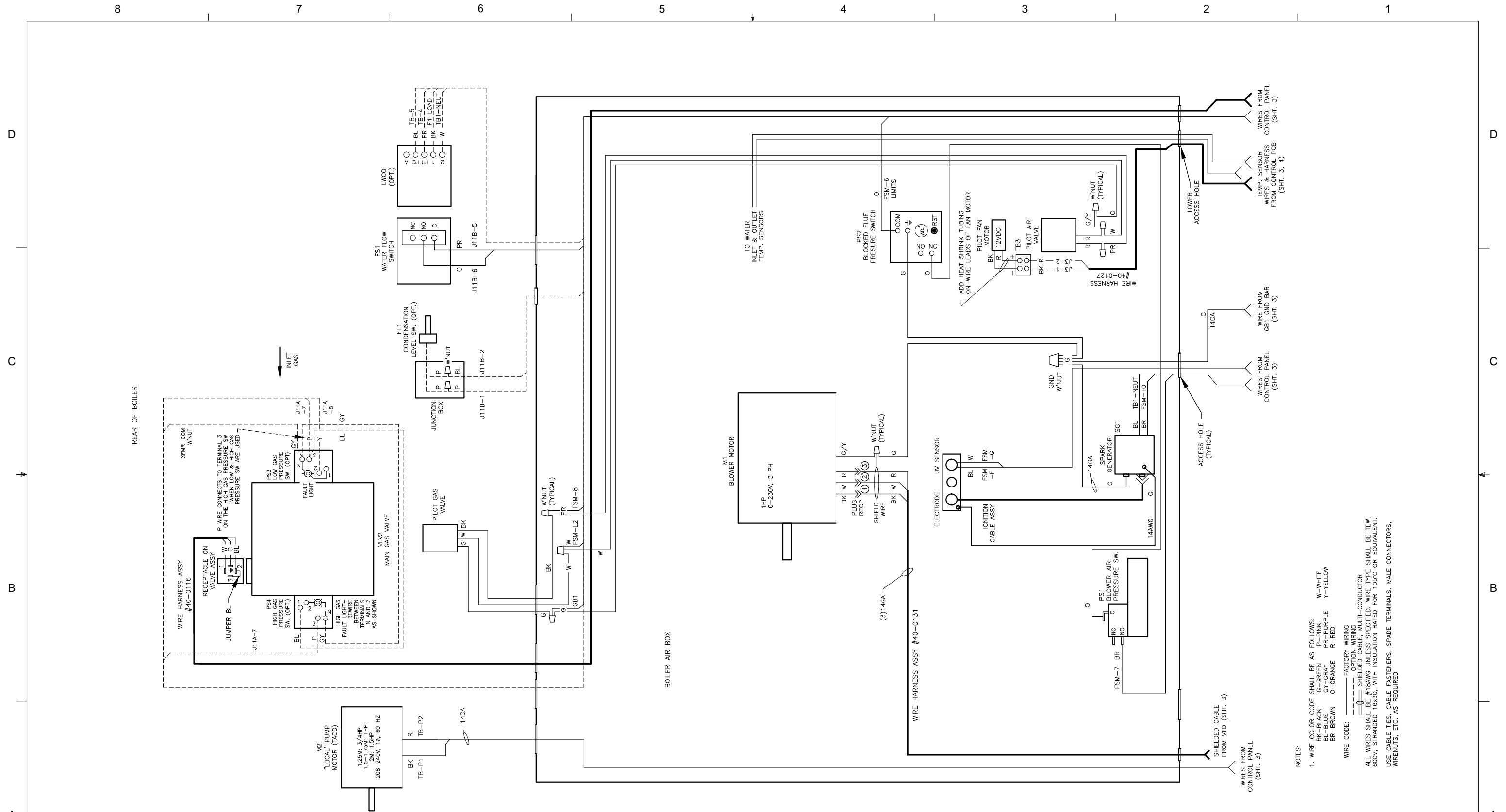
8. STAGE 2, 3, 4 AND SYSTEM PUMP 2 OUTPUTS ARE NOT AVAILABLE WITH THE H-NET 'LITE' CONTROL PCB



DIVISION	PRODUCT	DRAWN BY	DATE	DRAWING DESCRIPTION		
RBI	CB & CW 1250 TO 2000	RT	07/15/09	CONNECTION DIAGRAM		
THE PRINT AND ALL INFORMATION THEREON IS PROPERTY OF THE RBI DIVISION OF MESTEK, INC. NEITHER THE PRINT NOR THE INFORMATION THEREON MAY BE REPRODUCED OR USED IN ANY MANNER WHATSOEVER OR DIVULGED TO ANY OTHER PERSON UNLESS SPECIFICALLY AUTHORIZED BY MESTEK, INC.				CHECKED BY	DATE	DRAWING NUMBER
				RT	07/15/09	42-0552
APPROVED BY	DATE	SHEET	SHEET SIZE	SCALE	REVISION	
JPC	07/15/09	3 of 5	B	N/A	K	



DIVISION	PRODUCT	DRAWN BY	DATE	DRAWING DESCRIPTION		
RBI	CB & CW 1250 TO 2000	RT	07/15/09	CONNECTION DIAGRAM		
THE PRINT AND ALL INFORMATION THEREON IS PROPERTY OF THE RBI DIVISION OF MESTEK, INC. NEITHER THE PRINT NOR THE INFORMATION THEREON MAY BE REPRODUCED OR USED IN ANY MANNER WHATSOEVER OR DIVULGED TO ANY OTHER PERSON UNLESS SPECIFICALLY AUTHORIZED BY MESTEK, INC.		CHECKED BY	DATE	DRAWING NUMBER		
		RT	07/15/09	42-0552		
APPROVED BY		DATE	SHEET	SHEET SIZE	SCALE	REVISION
JPC		07/15/09	4 of 5	B	N/A	K



NOTES:

1. WIRE COLOR CODE SHALL BE AS FOLLOWS:
 BK-BLACK G-GREEN P-PINK W-WHITE
 BL-BLUE GR-GRAY PR-PURPLE Y-YELLOW
 BR-BROWN O-ORANGE R-RED

WIRE CODE:
 --- FACTORY WIRING
 --- OPTION WIRING
 --- SHIELDED CABLE, MULTI-CONDUCTOR
 --- SHIELDED CABLE, MULTI-CONDUCTOR
 ALL WIRES SHALL BE #18AWG UNLESS SPECIFIED. WIRE TYPE SHALL BE TEW, 600V, STRANDED 16x30, WITH INSULATION RATED FOR 105°C OR EQUIVALENT. USE CABLE TIES, CABLE FASTENERS, SPADE TERMINALS, MALE CONNECTORS, WIRENUTS, ETC. AS REQUIRED.

120V, 1Ø, 60HZ BOILER,
 208/220-240V, 1Ø, 60HZ PUMP

DIVISION	PRODUCT	DRAWN BY	DATE	DRAWING DESCRIPTION		
RBI	CB & CW 1250 TO 2000	RT	07/15/09	CONNECTION DIAGRAM		
THE PRINT AND ALL INFORMATION THEREON IS PROPERTY OF THE RBI DIVISION OF MESTEK, INC. NEITHER THE PRINT NOR THE INFORMATION THEREON MAY BE REPRODUCED OR USED IN ANY MANNER WHATSOEVER OR DIVULGED TO ANY OTHER PERSON UNLESS SPECIFICALLY AUTHORIZED BY MESTEK, INC.		CHECKED BY	DATE	DRAWING NUMBER		
		RT	07/15/09	42-0552		
APPROVED BY	DATE	SHEET	SHEET SIZE	SCALE	REVISION	
JPC	07/15/09	5 of 5	B	N/A	K	