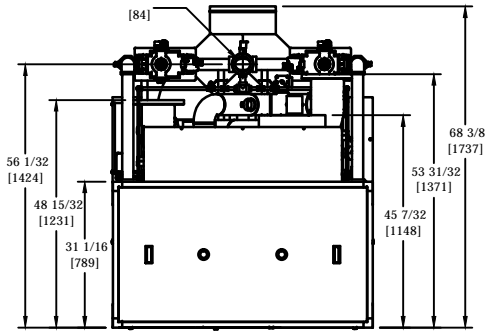
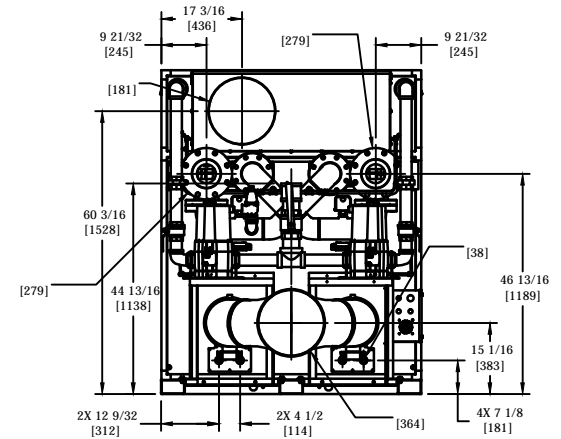


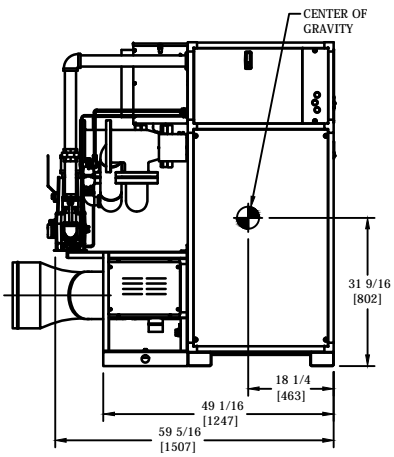
VIEW IN DIRECTION A
BOTTOM VIEW



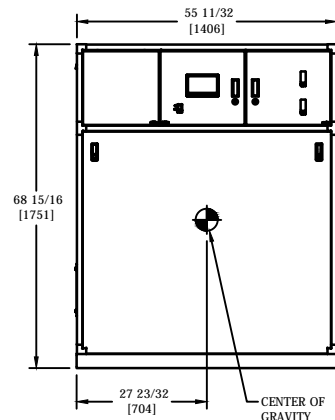
TOP VIEW



VIEW IN DIRECTION B
ROTATED 180° CLOCKWISE
BACK VIEW




LEFT VIEW



FRONT VIEW

NOTES:

1.  SYMBOL INDICATES CENTER OF GRAVITY.
2. DIMENSIONS ARE NOMINAL AND SUBJECT TO MANUFACTURING VARIATION AND SHOULD NOT BE USED FOR "ROUGHING IN".
3. ALL DIMENSIONS ARE IN INCHES [mm].