

GAS-FIRED RESIDENTIAL WATER BOILERS

# GVSC Series



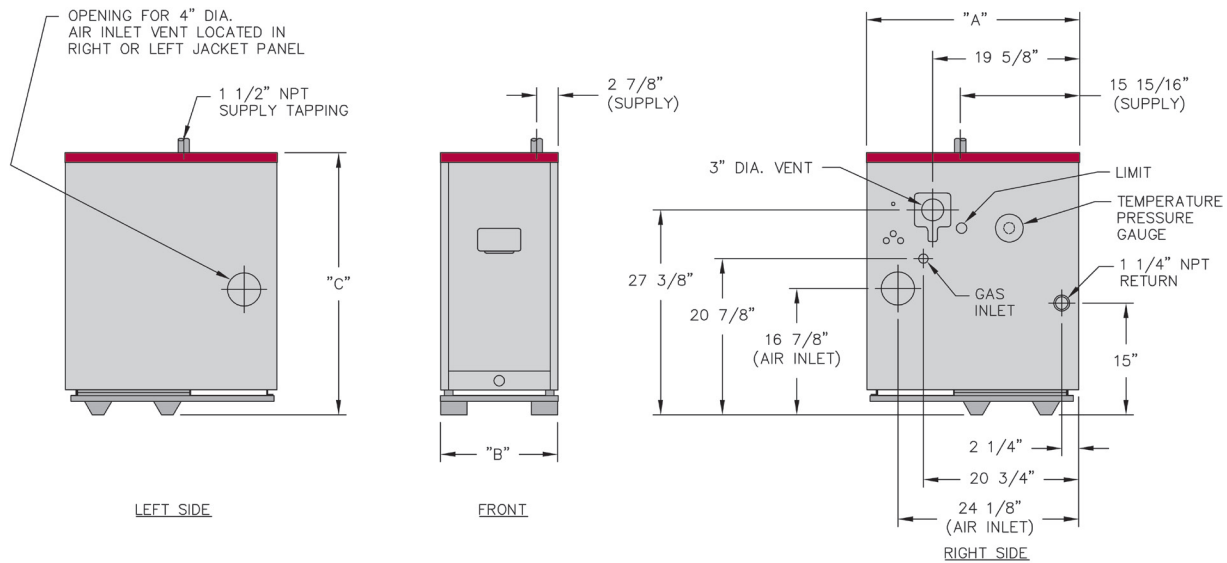
**THE**  
**HEATING**  
*Pros*

**Smith**  
CAST IRON BOILERS



# GVSC Series

## GAS-FIRED RESIDENTIAL WATER BOILERS



### GVSC Dimensions

Boiler Model Number	Jacket Depth "A"	Jacket Width "B"	Jacket Height "C"	Crated Dimensions			Ship Weight (lbs.)
				Depth	Width	Height	
GVSC-3	28-1/2"	12-1/2"	35"	32-3/4"	27"	40"	330
GVSC-4		15-7/8"			27"		400
GVSC-5		19-1/4"			30-3/8"		470
GVSC-6		22-5/8"			33-3/4"		540

### GVSC Specifications

Boiler Model Number	Input MBH	Heating Capacity <sup>3</sup> MBH	Net Ratings Water <sup>1, 2</sup> MBH	A.F.U.E. <sup>3</sup> %	Water Content (Gallons)
GVSC-3	65	56	48	86.0	4
GVSC-4	90	77	67	85.0	6
GVSC-5	120	102	89	85.0	7
GVSC-6	150	128	111	85.1	8



Note: Minimum Supply Gas Pressure: Standard 5 in. W.C. Natural Gas - 11 in. W.C. LP Gas.  
 1 Net water ratings based on an allowance of 1.15.  
 2 Consult factory before selecting a boiler for installations having unusual piping and pickup requirements, such as intermittent system operation, extensive piping systems, etc.  
 3 Heating Capacity and Annual Fuel Utilization Efficiency (AFUE) ratings are based on U.S. Government test. Before purchasing this appliance, read important information about its estimated annual energy consumption or energy efficiency rating that is available from your retailer.

### STANDARD EQUIPMENT

- Up to 86% AFUE!
- Gas-fired Boiler for Natural or LP Gas
- Residential Boiler for Hot Water Systems
- 4 sizes Available; 3–6 Sections
- Cast Iron Sections—Factory Tested and Assembled with Steel Push Nipples
- Sealed Combustion (uses outside air for combustion)
- Direct Vent - Utilizes 3" AL29-4C Stainless Steel Vent Pipe for "Through-the-Wall" or Vertical "Through-the-Roof" Venting Applications
- Fully Packaged, Ready to Install
- Boiler Reset Control with Low Water Cut-off for Increased Efficiency and Safety
- Dependable Spark Ignition System
- Taco 007 Circulator
- Non-Combustible Floor Pan
- Wall Thimble with Stainless Steel Vent Cap and Screened Vent Termination
- 30 PSI Safety Relief Valve
- Condensate Elbow
- Limit Control and Drain Valve
- Insulated Jacket
- Air Inlet (available either side)



(413) 562-9631 • FAX: (413) 562-3799  
[www.smithboiler.com](http://www.smithboiler.com)