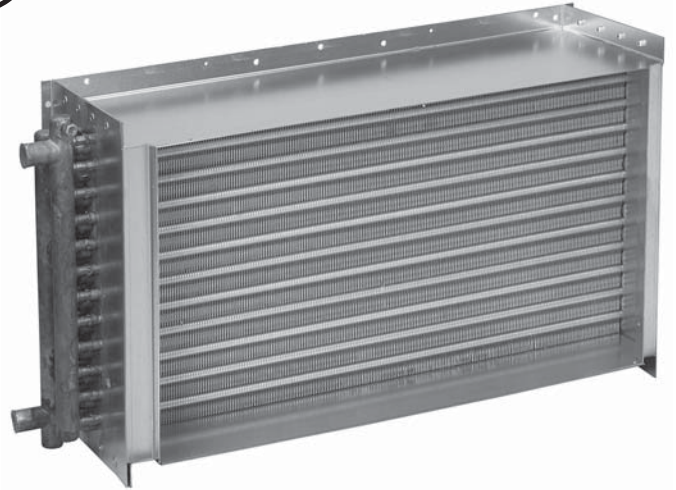


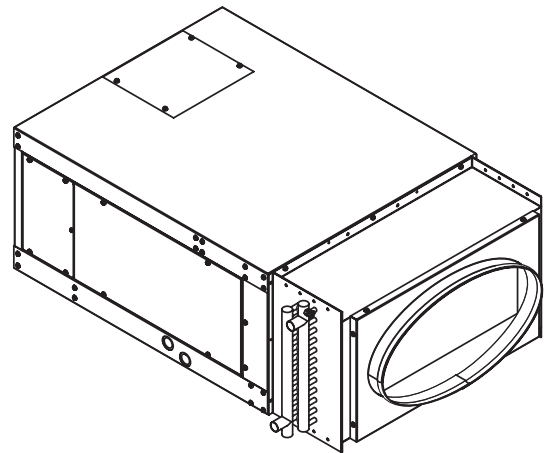
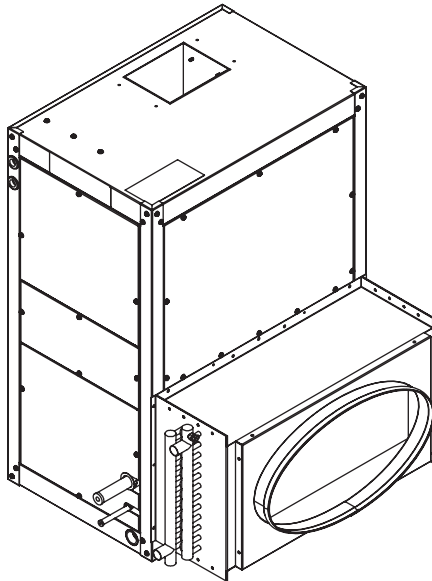
WATER PAK HYDRONIC COILS for "ESP" HORIZONTAL and VERTICAL FAN COIL UNITS



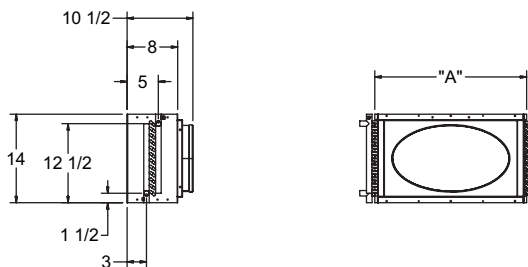
The SpacePak Model WPAK Hydronic Heating Coil is designed to mount directly to both horizontal and vertical fan coil units. Plugs are conveniently located to remove trapped air or purge water from the system for maintenance or shutdowns. Sheet metal return air ducts can be attached directly to coil cabinet, or use of the removable return air panel allows assembly of flexible return air duct.

STANDARD HYDRONIC COIL FEATURES

- High-output 4 row coil.
- Easily mounts directly to all SpacePak fan coil units.
- 5/8" copper connections.
- Coils encased in a sheet metal cabinet.



COIL AND RETURN AIR PANEL DIMENSIONS



Coil shown with return air panel required to attach the flexible return air duct (not required for sheet metal returns).

"A"	Hot Water Coil Model Number	Fan Coil Unit Capacity	Ship Wt. (Lbs.)
24"	AC-WPAK-60	2430	28
33"	AC-WPAK-90	3642	34
43"	AC-WPAK-120	4860	43

HYDRONIC COIL HEATING CAPACITY (MBH)

AC-WPAK-60

GPM	Entering Water Temperature (F)				
	120	140	160	180	200
2	20.5	30.0	39.1	48.1	57.2
4	25.2	35.6	46.1	56.6	67.1
6	26.6	37.4	48.3	59.2	70.2
8	27.2	38.2	49.3	60.4	71.6
10	27.5	38.7	49.9	61.1	72.3

At 550CFM and 70°F Entering Air Temperature

AC-WPAK-90

GPM	Entering Water Temperature (F)				
	120	140	160	180	200
2	26.8	39.2	51.6	63.4	75.2
4	36.0	50.8	65.7	80.8	95.8
6	39.0	54.9	70.9	87.0	103.1
8	40.4	56.8	73.3	89.9	106.5
10	41.2	57.9	74.7	91.5	108.4

At 850CFM and 70°F Entering Air Temperature

AC-WPAK-120

GPM	Entering Water Temperature (F)				
	120	140	160	180	200
2	31.7	46.2	61.2	75.1	89.0
4	45.6	64.2	83.0	102.0	120.9
6	50.6	71.2	92.0	112.9	133.8
8	53.1	74.7	96.4	118.2	140.1
10	54.6	76.7	98.9	121.2	143.6

At 1150CFM and 70°F Entering Air Temperature

Water Pressure Drop (in feet @ 180°)

GPM	AC-WPAK-60	AC-WPAK-90	AC-WPAK-120
2	0.4	0.4	0.5
4	1.4	1.6	1.7
6	3.0	3.3	3.7
8	5.2	5.7	6.3
10	7.9	8.7	9.6

To calculate Leaving Air Temperature (LAT) use the following formula:

$$\text{LAT} = (\text{BTUH} / (1.08 \times \text{CFM})) + 70$$

▲ CAUTION

AREAS SHADED IN GRAY CAN EXCEED 160°F LEAVING AIR TEMPERATURE. TO PREVENT INJURY OR DAMAGE, DO NOT INSTALL FLOOR OUTLETS WHEN THE SYSTEM IS OPERATING IN THIS RANGE.

GLYCOL CORRECTION FACTORS

Freezing Point

Concentration by volume	Ethylene Glycol	Propylene Glycol
55%	-50F	-40F
50%	-37F	-28F
40%	-14F	-13F
30%	+2F	+4F
20%	+15F	+17F

Heat Transfer @180°F (no change in flow rate)

Solution %	Ethylene Glycol	Propylene Glycol
20%	.96	.97
50%	.87	.90

Flow Rate Correction (no change in pump curve)

Temperature	Ethylene Glycol	Propylene Glycol
100°F	116%	114%
140°F	115%	112%
180°F	114%	110%

Note: Comparisons are of 50% solution

Pump Head Correction (with increase in flow)

Temperature	Ethylene Glycol	Propylene Glycol
100°F	149%	141%
140°F	132%	128%
180°F	123%	123%

Note: Comparisons are of 50% solution