



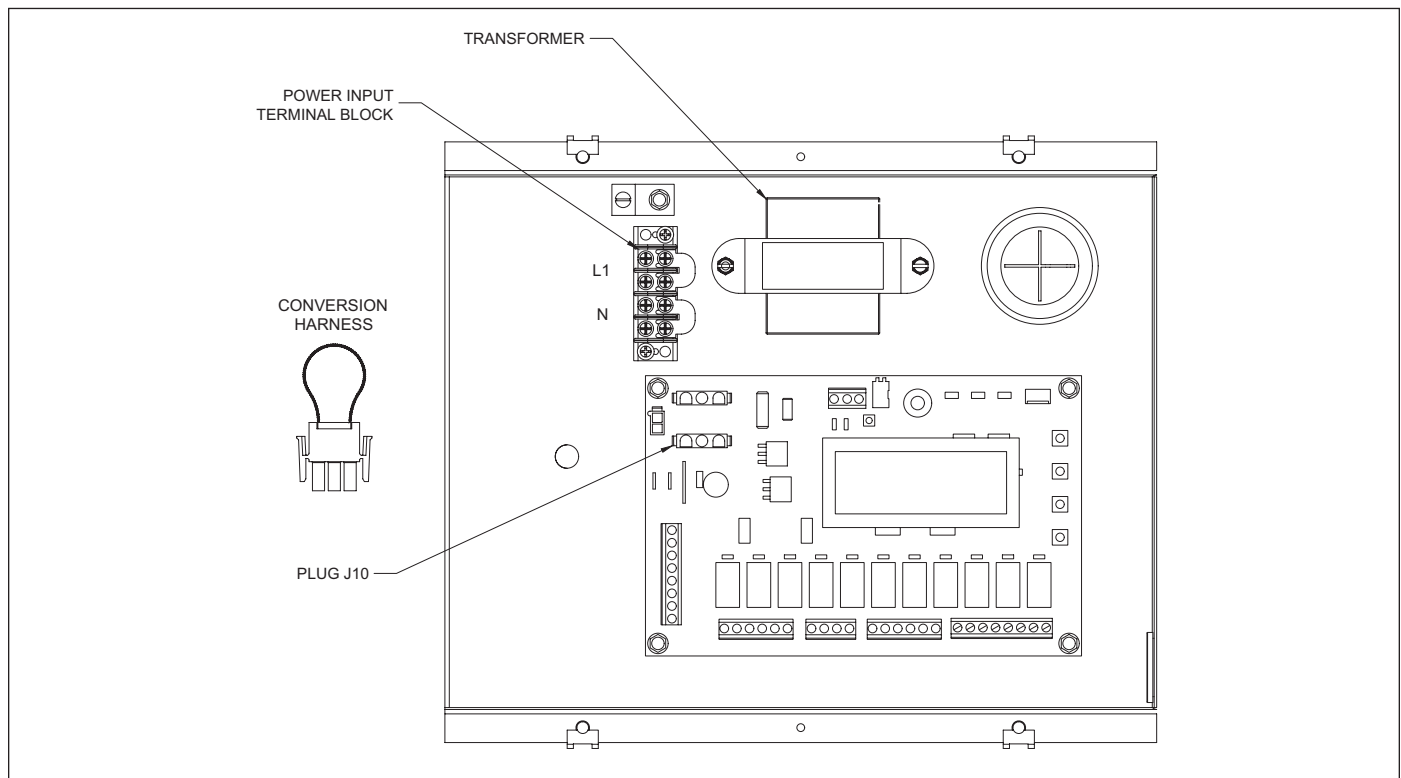
## SPACEPAK J SERIES\* AIR HANDLER LINE VOLTAGE CONVERSION

All SPACEPAK air handlers are delivered from the factory configured to operate on 230V input power. Beginning with the J Series\*, however, these are now field convertible to 115V input. The following instructions provide the procedure to complete this conversion.

Refer to the Wiring Diagram on the back side of the Access Panel, or in the Installation and Operation Manual while performing this conversion.

1. Before beginning the conversion, ensure that the power is supplied by a dedicated circuit of no less than #14 AWG copper conductors, and the circuit is protected by an overcurrent protective device (fuse or circuit breaker) rated at no greater than 20 amps.
2. Ensure that no electrical connections are made to the unit.
3. Remove the ORANGE wire from the L2 terminal of the power input block, and cap or cut and insulate it to ensure it does not contact any other circuit or surface.
4. Replace the L1 – L2 label with the L – N label provided with the Conversion Kit.
5. Unwrap the WHITE wire from the Transformer and connect it to the same terminal on the INPUT TERMINAL BLOCK, adjacent to the RED wire, and tighten the screw.
6. Place the Field Conversion Harness, p/n 460-WG1265-01, supplied with the conversion kit, onto the J10 plug of the Control Board.
7. Complete the included conversion label, P/N W49-WG0861-12 and affix it to the outlet panel of the unit.
8. Before making any connection, check for continuity from L1 to N on the power input terminal block. You should measure 200-300 ohms. Less than that may indicate a short. Double check your wiring before proceeding.
9. Complete the installation by connecting the Line, Neutral, and ground wires to the input power block. Replace the electrical box cover, and resume installation per the IOM.

\*This instruction sheet is only applicable to models that have utilized the advanced controls board. See specific model number and ensure the last digit is "B".



# ESP & WCSP 120V/230V

————— FACTORY WIRING  
 - - - - - FIELD WIRING

## WIRE COLORS

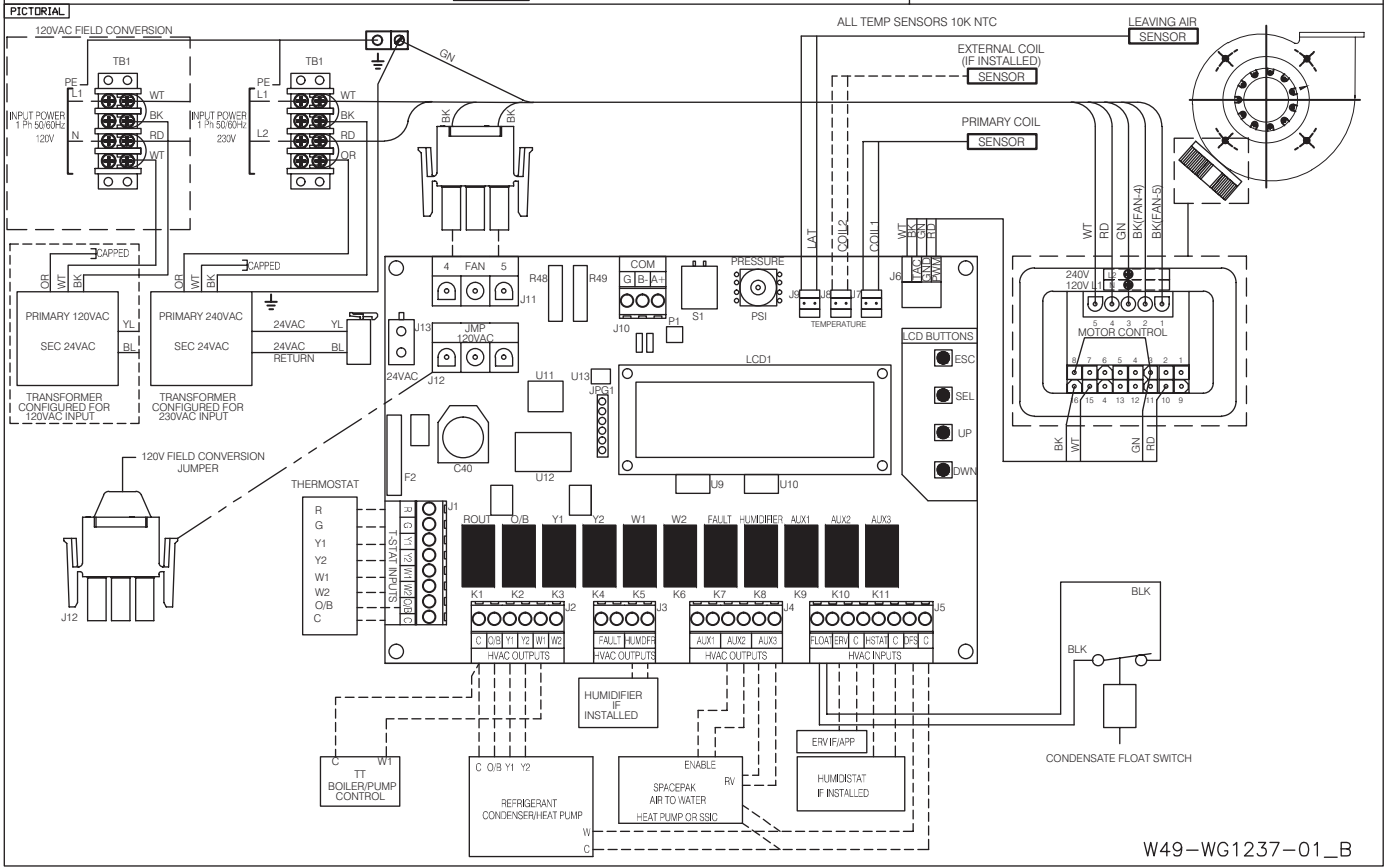
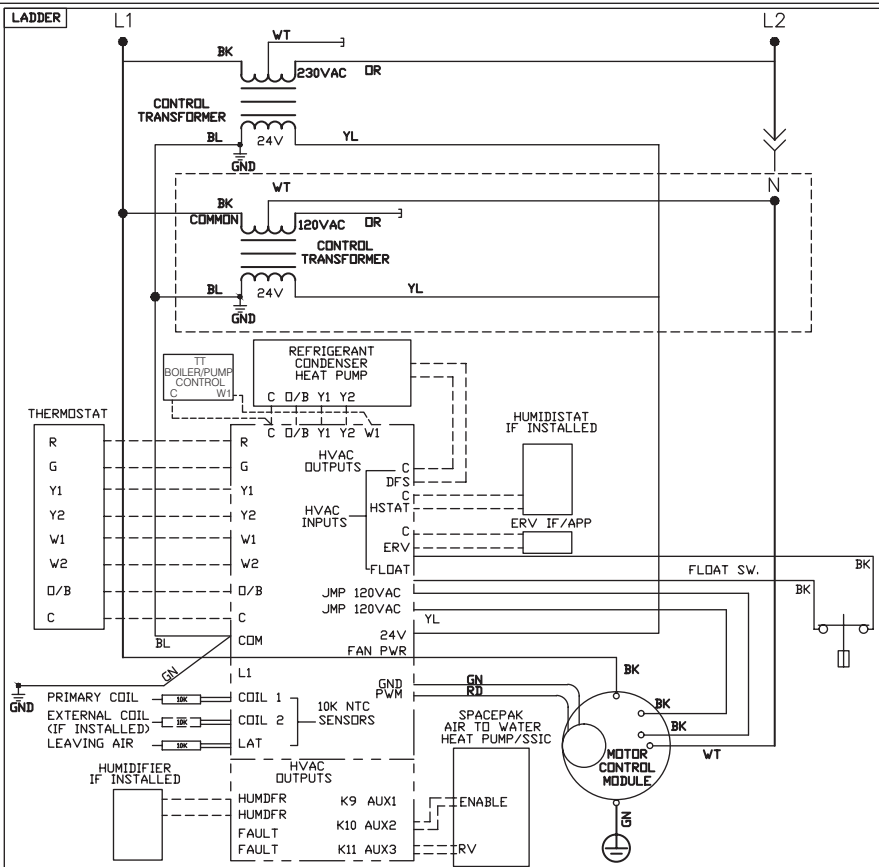
BK - BLACK  
 WT - WHITE  
 BL - BLUE  
 OR - ORANGE  
 RD - RED  
 GN - GREEN  
 GY - GRAY

## THERMOSTAT WIRING

G - FAN  
 Y1 - 1ST STAGE COOLING  
 W1 - 1ST STAGE HEATING  
 O/B - REV. VALVE  
 Y2 - 2nd STAGE COOLING  
 W2 - 2nd STAGE HEATING  
 R - 24VAC  
 C - COMMON

## NOTES

- 1) TYPICAL HEAT PUMP INSTALLATION SHOWN, OMIT W & OB FOR COOLING ONLY INSTALLATION
- 2) FOR HEAT PUMP INSTALLATION, REFER TO OUTDOOR EQUIPMENT MANUFACTURER'S INSTALLATION AND OPERATION MANUAL FOR WIRING CONNECTIONS.
- 3) FOR CONTROL SETTINGS REFER TO SECTION 3: STARTUP AND OPERATION
- 4) FOR BOILER INSTALLATIONS, REFER TO BOILER MANUAL FOR WIRING CONNECTIONS



W49-WG1237-01\_B

260 NORTH ELM STREET  
 WESTFIELD, MA 01085  
 (413) 564-5530 • FAX (413) 564-5815



7555 TRANMERE DRIVE  
 MISSISSAUGA, ONTARIO L5S 1L4 CANADA  
 (905) 670-5888 • FAX (905) 670-5782