

DURAVANE II

Submittal

JDVA 14 20 & 24
DuraVane II Architectural
Copper/Aluminum and
Steel Elements

JDVA Slip Jointed Enclosure

Specification

ENCLOSURE:

- STYLE: DuraVane II
OUTLET: Extruded Aluminum Grille
Pencil Proof
- LENGTHS: 2' thru 8' in 6" Increments
MAT'L: 16 Ga. CRS STD.
 14 Ga. CRS (Opt'l)
- FINISH Baked Enamel Std.
 16 Ga. Stainless Steel (Opt'l)
 14 Ga. Stainless Steel (Opt'l)
 14 Ga. Aluminum (Opt'l)
 12 Ga. Aluminum (Opt'l)

ACCESSORIES:

- JDVA Overlapping Type
All accessories have finger tabs at the bottom for easy installation.

ELEMENT:

- TYPE: Cu/Al (Mechanically Expanded)
- LENGTHS: 2'0" thru 12'6" in 1" Increments for 1" & 1-1/4" Cu.
2' thru 8' in 1" Increments for 3/4" Cu.
- One End Flared, Std.
- TYPE IPS Steel (Mechanically Expanded)
- LENGTHS: 2'0" thru 12'6" in 1" Increments
 NPT Thread both Ends Std.
 Beveled Ends for Field Weld
See Catalog for Working Pressures

BACKPLATE:

- TYPE: Partial B/P
LENGTHS: 8' Only
MAT'L: 20 Ga. Prepainted (Opt'l)
 18 Ga. Galvannealed (Opt'l)
- Full Ht. B/P (Opt'l)
2' thru 8' in 6" increments
 20 Ga. Galvannealed (Opt'l)
 18 Ga. Painted (Opt'l)

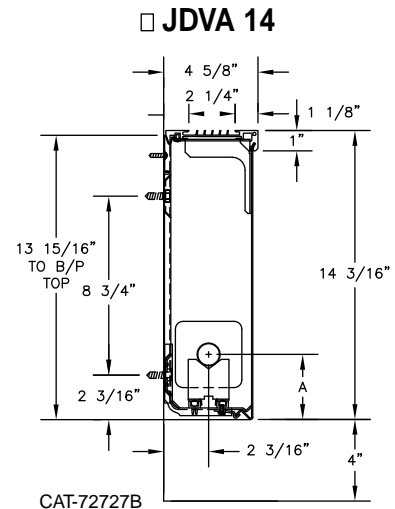
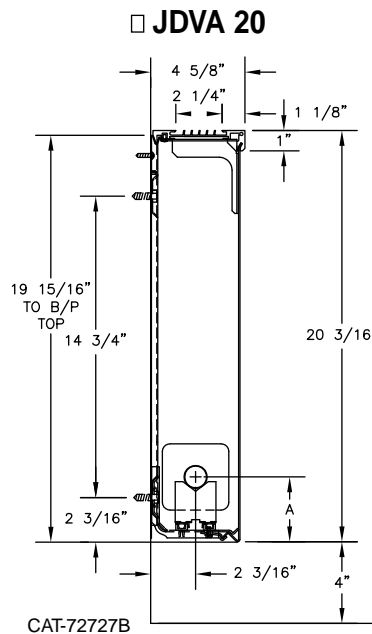
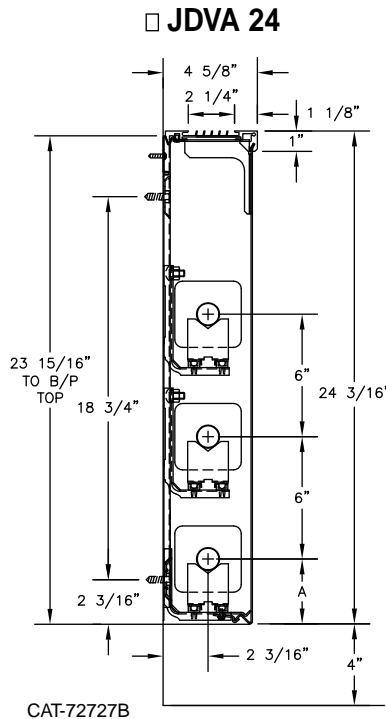
AIRSEAL:

- 1/8" x 3/8" Closed Cell (Opt'l)

BRACKETS:

- Water Brkt w/B.B.
 Steam Brkt w/Brkt Mtd B.B. Hngr

ELEMENT TUBE SIZE	CRADLE NO.	A MIN.
3/4" COPPER	2	3
1" COPPER	2	3 3/16
1 1/4" COPPER	1	2 5/8
1 1/4" STEEL	1	2 13/16



260 North Elm St., Westfield, MA 01085
(413) 564-5535 Fax: (413) 562-8437
www.sterlingheat.com



PROJECT: _____ DATE: _____

LOCATION: _____

ARCHITECT: _____

ENGINEER: _____

CONTRACTOR: _____

PO NUMBER: _____

STYLES JDVA DURAVANE II

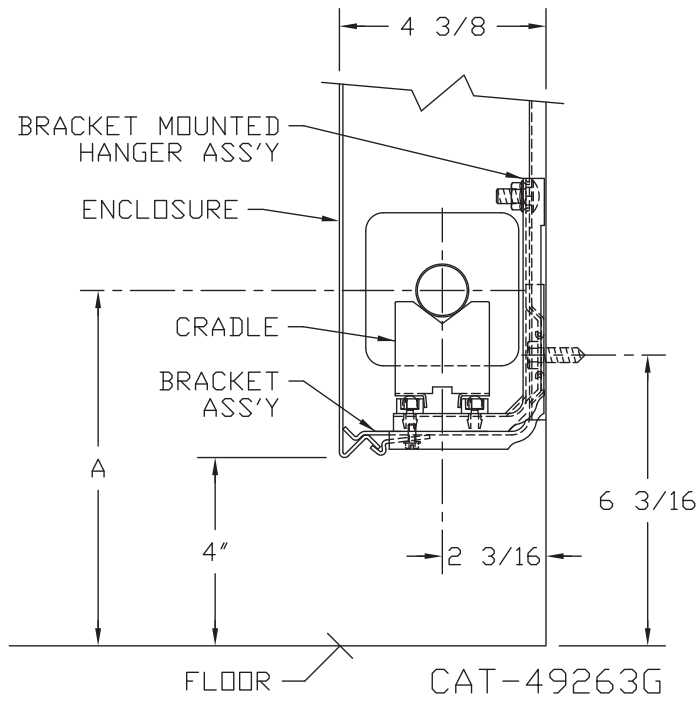
COPPER/ALUMINUM ELEMENT					ENCLOSURE DEPTH IN INCHES	ENCLOSURE HEIGHT IN INCHES	TIERS AND CENTERS IN INCHES	MTG. HEIGHT IN INCHES	STEAM 215° FACTOR 1.00	HOT WATER (AVG.)					
TUBE SIZE	CATALOG DESIGNATION	FIN SIZE IN INCHES	FIN/FT	FIN THICKNESS						200°	190°	180°	170°	160°	150°
										FACTOR					
						0.86	0.78	0.69	0.61	0.53	0.45				
3/4"	C3/4-33	3-1/4" SQ.	32	0.020"	4-5/8	14-3/16	1	18-3/16	1050	900	820	720	640	560	470
						20-3/16	1	24-3/16	1110	950	870	770	680	590	500
						"	2-6 CL	"	1660	1430	1290	1150	1010	880	750
						24-3/16	1	28-3/16	1160	1000	900	800	710	610	520
						"	2-6 CL	"	1740	1500	1360	1200	1060	920	780
3/4"	C3/4-34	3-1/4" SQ.	40	0.020"	4-5/8	14-3/16	1	18-3/16	1230	1060	960	850	750	650	550
						20-3/16	1	24-3/16	1300	1120	1010	900	790	690	590
						"	2-6 CL	"	1890	1630	1470	1300	1150	1000	850
						24-3/16	1	28-3/16	1390	1200	1080	960	850	740	630
						"	2-6 CL	"	2010	1730	1570	1390	1230	1070	900
3/4"	C3/4-35	3-1/4" SQ.	50	0.020"	4-5/8	14-3/16	1	18-3/16	1370	1180	1070	950	840	730	620
						20-3/16	1	24-3/16	1460	1260	1140	1010	890	770	660
						"	2-6 CL	"	2040	1750	1590	1410	1240	1080	920
						24-3/16	1	28-3/16	1550	1330	1210	1070	950	820	700
						"	2-6 CL	"	2170	1870	1690	1500	1320	1150	980
1"	C33	3-1/4" SQ.	32	0.020"	4-5/8	14-3/16	1	18-3/16	1130	970	880	780	690	600	510
						20-3/16	1	24-3/16	1190	1020	930	820	730	630	540
						"	2-6 CL	"	1780	1530	1390	1230	1090	940	800
						24-3/16	1	28-3/16	1250	1080	980	860	760	660	560
						"	2-6 CL	"	1870	1610	1460	1290	1140	990	840
1"	C34	3-1/4" SQ.	40	0.020"	4-5/8	14-3/16	1	18-3/16	1270	1090	990	880	770	670	570
						20-3/16	1	24-3/16	1340	1150	1050	920	820	710	600
						"	2-6 CL	"	1940	1670	1510	1340	1180	1030	870
						24-3/16	1	28-3/16	1430	1230	1120	990	870	760	640
						"	2-6 CL	"	1920	1650	1500	1320	1170	1020	860
1"	C35	3-1/4" SQ.	50	0.020"	4-5/8	14-3/16	1	18-3/16	1320	1140	1030	910	810	700	590
						20-3/16	1	24-3/16	1400	1200	1090	970	850	740	630
						"	2-6 CL	"	1950	1680	1520	1350	1190	1030	880
						24-3/16	1	28-3/16	1490	1280	1160	1030	910	790	670
						"	2-6 CL	"	2080	1790	1620	1440	1270	1100	940
1-1/4"	C133	3-1/4" SQ.	32	0.020"	4-5/8	14-3/16	1	18-3/16	1130	970	880	780	690	600	510
						20-3/16	1	24-3/16	1190	1020	930	820	730	630	540
						"	2-6 CL	"	1780	1530	1390	1230	1090	940	800
						24-3/16	1	28-3/16	1250	1080	980	860	760	660	560
						"	2-6 CL	"	1870	1610	1460	1290	1140	990	840
1-1/4"	C134	3-1/4" SQ.	40	0.020"	4-5/8	14-3/16	1	18-3/16	1250	1080	980	860	760	660	560
						20-3/16	1	24-3/16	1320	1140	1030	910	810	700	590
						"	2-6 CL	"	1920	1650	1500	1320	1170	1020	860
						24-3/16	1	28-3/16	1410	1210	1100	970	860	750	630
						"	2-6 CL	"	1890	1630	1470	1300	1150	1000	850
1-1/4"	C135	3-1/4" SQ.	50	0.020"	4-5/8	14-3/16	1	18-3/16	1300	1120	1010	900	790	690	590
						20-3/16	1	24-3/16	1390	1200	1080	960	850	740	630
						"	2-6 CL	"	1940	1670	1510	1340	1180	1030	870
						24-3/16	1	28-3/16	1470	1260	1150	1010	900	780	660
						"	2-6 CL	"	2050	1760	1600	1410	1250	1090	920

STYLES JDVA DURAVANE II

STEEL ELEMENT					ENCLOSURE DEPTH IN INCHES	ENCLOSURE HEIGHT IN INCHES	TIERS AND CENTERS IN INCHES	MTG. HEIGHT IN INCHES	STEAM 215° FACTOR 1.00	HOT WATER (AVG.)					
I.P.S. SIZE	CATALOG DESIGNATION	FIN SIZE IN INCHES	FIN/FT	FIN THICKNESS						200°	190°	180°	170°	160°	150°
										FACTOR					
						0.86	0.78	0.69	0.61	0.53	0.45				
1-1/4"	S133	3-1/4" SQ.	32	0.032"	4-5/8	14-3/16	1	18-3/16	1020	880	800	700	620	540	460
						20-3/16	1	24-3/16	1120	960	870	770	680	590	500
						"	2-6 CL	"	1680	1440	1310	1160	1020	890	760
						24-3/16	1	28-3/16	1160	1000	900	800	710	610	520
						"	2-6 CL	"	1740	1500	1360	1200	1060	920	780
1-1/4"	S134	3-1/4" SQ.	40	0.032"	4-5/8	14-3/16	1	18-3/16	1110	950	870	770	680	590	500
						20-3/16	1	24-3/16	1290	1100	1010	890	790	680	580
						"	2-6 CL	"	1800	1550	1400	1240	1100	950	810
						24-3/16	1	28-3/16	1330	1140	1040	920	810	700	600
						"	2-6 CL	"	1860	1600	1450	1280	1130	990	840

†NPT threads furnished on steel elements. Please use domestic fittings for proper installation.

"A" OFFSET



ELEMENT TUBE SIZE	CRADLE NO.	A MIN	A MAX
3/4 COPPER	2	7 3/8	9 5/8
1" COPPER	2	7 1/2	9 3/4
1 1/4 COPPER	2	7 5/8	9 7/8
1 1/4 STEEL	1	7"	9 1/4