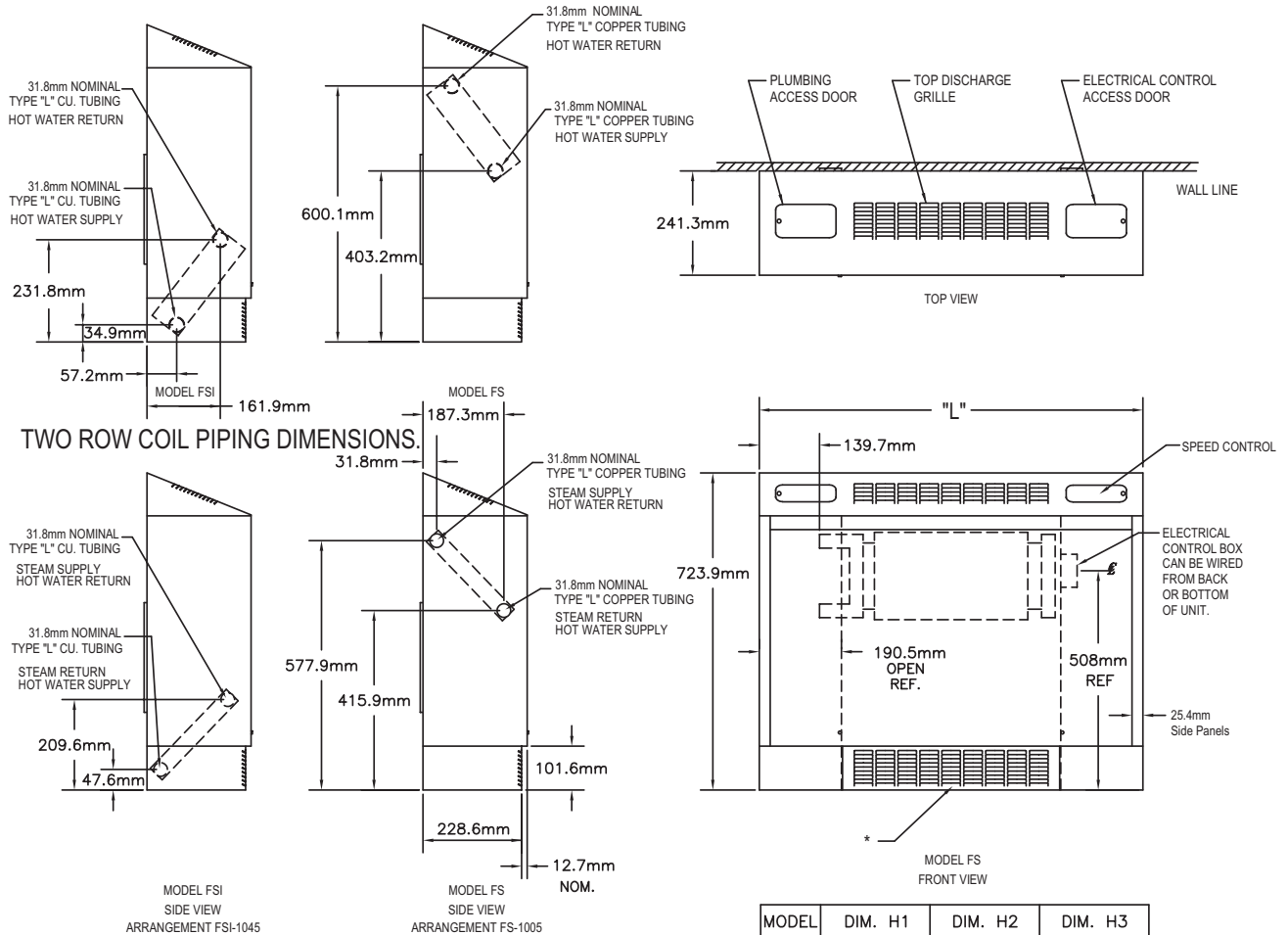


# CABINET UNIT HEATER SUBMITTAL DATA

CBS-FS-15M

## Slope Top Floor Mounted Units - Models FS and FSI - Metric

PIPING AND MOUNTING CONNECTIONS SHOWN ARE TYPICAL FOR ALL AIR FLOW ARRANGEMENTS SEE OTHER SIDE.



### STANDARD ONE ROW COIL PIPING DIMENSIONS.

| MODEL | DIM. H1 | DIM. H2 | DIM. H3 |
|-------|---------|---------|---------|
| FS    | 231.8mm | 308.0mm | 384.2mm |
| FSI   | 241.3mm | 317.5mm | 393.7mm |

| SIZE | DIM "A" | DIM "L"  |
|------|---------|----------|
| 02   | 155.6mm | 889.0mm  |
| 03   | 155.6mm | 1092.2mm |
| 04   | 155.6mm | 1193.8mm |
| 06   | 269.9mm | 1498.6mm |
| 08   | 269.9mm | 1549.4mm |
| 10   | 269.9mm | 1676.4mm |
| 12   | 422.3mm | 1854.2mm |
| 14   | 422.3mm | 2159.0mm |

\* LOUVERED INLET GRILLE IS STANDARD ON "FSI" MODELS  
 OPTIONAL ON "FS" MODELS  
 SEE OPTION 17

SECTION "A"- "A"  
 SEE OPTION 116 LEVELING LEGS

MOUNTING BRACKET SLOTS ALLOW FOR 25.4mm LATERAL ADJUSTMENT

FRESH AIR INLET OPENING IN INTERNAL CABINET KNOCKED OUT WHEN REQUIRED

REAR VIEW  
 MOUNTING BRACKET SLOTS ALLOW FOR 11.1mm VERTICAL ADJUSTMENT

**PROJECT:** \_\_\_\_\_

**LOCATION:** \_\_\_\_\_

**ARCHITECT:** \_\_\_\_\_

**ENGINEER:** \_\_\_\_\_

**CONTRACTOR:** \_\_\_\_\_

**PO NUMBER:** \_\_\_\_\_

**DATE:** \_\_\_\_\_

CAT00211B



**STERLING**  
 COMMERCIAL HYDRONIC PRODUCTS

260 NORTH ELM STREET / WESTFIELD, MA 01085  
 TEL: (413) 568-9571 FAX: (413) 562-8437  
 www.sterlingheat.com



**A MESTEK COMPANY**

# CABINET UNIT HEATERS RATINGS AND SPECIFICATIONS

ENTERING WATER - 93.3°C  
ENTERING AIR - 15.5°C

**TABLE I - METRIC**

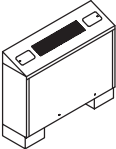

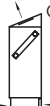
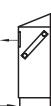

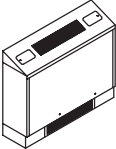
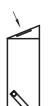

| UNIT SIZE                    |                          | 02        | 03        | 04        | 06        | 08                   | 10                   | 12        | 14        |
|------------------------------|--------------------------|-----------|-----------|-----------|-----------|----------------------|----------------------|-----------|-----------|
| HEATING CAP. - HOT WATER     | WATTS                    | 4806.4    | 6682.0    | 8733.5    | 14067.4   | 15972.4              | 18170.4              | 22156.2   | 23006.1   |
|                              | LITER/SECOND             | 0.10      | 0.14      | 0.19      | 0.30      | 0.34                 | 0.39                 | 0.48      | 0.50      |
| HIGH CAP. - COIL 2 ROW       | WATTS                    | 7561.2    | 10374.7   | 13569.2   | 20456.4   | 25673.0              | 29834.6              | 35109.9   | 37688.9   |
|                              | LITER/SECOND             | 0.16      | 0.22      | 0.29      | 0.44      | 0.55                 | 0.64                 | 0.76      | 0.81      |
| SEE TABLE III FOR WTD        |                          |           |           |           |           |                      |                      |           |           |
| HIGH CAP. - STEAM 2 PSIG     | WATTS                    | 6623.4    | 9202.4    | 12015.9   | 19372.0   | 22009.6              | 25028.3              | 30508.7   | 31710.3   |
|                              | EDR                      | 94        | 131       | 171       | 275       | 313                  | 356                  | 434       | 451       |
| STANDARD COIL                | COND. KG/HR              | 10.6      | 14.7      | 19.3      | 31.0      | 35.3                 | 40.1                 | 48.9      | 50.8      |
|                              | COIL:                    |           |           |           |           |                      |                      |           |           |
|                              | NUMBER FINS PER CM       | 31        | 31        | 31        | 31        | 31                   | 31                   | 31        | 31        |
|                              | FACE AREA-M <sup>2</sup> | 0.09      | 0.14      | 0.17      | 0.24      | 0.26                 | 0.29                 | 0.33      | 0.41      |
|                              | COIL CONNECTIONS         | 31.75mm   | 31.75mm   | 31.75mm   | 31.75mm   | 31.75mm              | 31.75mm              | 31.75mm   | 31.75mm   |
| BLOWERS:                     | NUMBER                   | 1         | 1         | 2         | 2         | 3                    | 3                    | 4         | 4         |
|                              | DIAMETER(mm)/WIDTH (mm)  | 146 x 178 | 146 x 178 | 146 x 178 | 146 x 178 | 146 x 178            | 146 x 178            | 146 x 178 | 146 x 178 |
| STANDARD PSC MOTOR:          | DRIVE                    | DIRECT    | DIRECT    | DIRECT    | DIRECT    | DIRECT               | DIRECT               | DIRECT    | DIRECT    |
|                              | HP                       | 1/15      | 1/15      | 1/10      | 1/10      | 1 @ 1/10<br>1 @ 1/15 | 1 @ 1/10<br>1 @ 1/15 | 1/10      | 1/10      |
| RPM:                         | HIGH                     | 1050      | 1050      | 1050      | 1050      | 1050                 | 1050                 | 1050      | 1050      |
|                              | LOW                      | 875       | 875       | 875       | 875       | 875                  | 875                  | 875       | 875       |
|                              | NUMBER                   | 1         | 1         | 1         | 1         | 2                    | 2                    | 2         | 2         |
|                              | VOLTS/PHASE/HERTZ        | 115/1/60  | 115/1/60  | 115/1/60  | 115/1/60  | 115/1/60             | 115/1/60             | 115/1/60  | 115/1/60  |
| FAN SPEED CONTROL            | AMPERES                  | 0.8       | 0.8       | 1.4       | 1.4       | 2.2                  | 2.2                  | 2.8       | 2.8       |
|                              | STANDARD MTR             | VAR.      | VAR.      | VAR.      | VAR.      | VAR.                 | VAR.                 | VAR.      | VAR.      |
| CFM:                         | HIGH                     | 230       | 335       | 430       | 630       | 860                  | 1060                 | 1230      | 1410      |
|                              | LOW                      | 185       | 270       | 345       | 505       | 685                  | 845                  | 985       | 1130      |
| OPTIONAL ECM MOTOR:          | HP                       | 1/15      | 1/15      | 1/15      | 1/15      | 1/10                 | 1/10                 | 1/4       | 1/4       |
|                              | NUMBER                   | 1         | 1         | 1         | 1         | 2                    | 2                    | 2         | 2         |
|                              | VOLTS/PHASE/HERTZ        | 120/1/60  | 120/1/60  | 120/1/60  | 120/1/60  | 120/1/60             | 120/1/60             | 120/1/60  | 120/1/60  |
|                              | AMPERES                  | 0.45      | 0.45      | 0.65      | 0.85      | 1.5                  | 1.95                 | 2.8       | 2.8       |
| FAN SPEED CONTROL            | ECM MTR                  | 3 - SPEED | 3 - SPEED | 3 - SPEED | 3 - SPEED | 3 - SPEED            | 3 - SPEED            | 3 - SPEED | 3 - SPEED |
|                              | HIGH                     | 230       | 335       | 430       | 630       | 860                  | 1060                 | 1230      | 1410      |
| CFM:                         | MED                      | 160       | 240       | 375       | 440       | 590                  | 740                  | 850       | 980       |
|                              | LOW                      | 120       | 150       | 280       | 320       | 450                  | 560                  | 640       | 730       |
| FILTERS:                     | NO.                      | 1         | 1         | 1         | 1         | 1                    | 1                    | 1         | 1         |
|                              | TYPE                     | PERM.     | PERM.     | PERM.     | PERM.     | PERM.                | PERM.                | PERM.     | PERM.     |
|                              | LENGTH (mm)              | 501.65    | 704.85    | 806.45    | 1111.25   | 1162.05              | 1289.05              | 1466.85   | 1771.65   |
|                              | WIDTH (mm)               | 220.66    | 220.66    | 220.66    | 220.66    | 220.66               | 220.66               | 220.66    | 220.66    |
|                              | THICKNESS (mm)           | 12.70     | 12.70     | 12.70     | 12.70     | 12.70                | 12.70                | 12.70     | 12.70     |
| dB. LEVEL 457 (mm) FROM UNIT | 50                       | 52        | 53        | 54        | 55        | 55                   | 56                   | 56        | 56        |
|                              | LENGTH (mm)              | 889       | 1092.2    | 1193.8    | 1498.6    | 1549.4               | 1676.4               | 1854.2    | 2159      |
|                              | HEIGHT (mm)              | 635       | 635       | 635       | 635       | 635                  | 635                  | 635       | 635       |
|                              | DEPTH (mm)               | 241.3     | 241.3     | 241.3     | 241.3     | 241.3                | 241.3                | 241.3     | 241.3     |

Note: On FS and FSI units use 724 mm on all heights

| FILTER IDENTIFICATION AND DATA |           |                             |
|--------------------------------|-----------|-----------------------------|
| SIZE                           | PART NO.  | FILTER SIZE                 |
| 02                             | PC1297-2  | 11.9mm x 220.7mm x 507.7mm  |
| 03                             | PC1297-3  | 11.9mm x 220.7mm x 704.9mm  |
| 04                             | PC1297-4  | 11.9mm x 220.7mm x 806.5mm  |
| 06                             | PC1297-6  | 11.9mm x 220.7mm x 1111.3mm |
| 08                             | PC1297-8  | 11.9mm x 220.7mm x 1162.1mm |
| 10                             | PC1297-10 | 11.9mm x 220.7mm x 1289.1mm |
| 12                             | PC1297-12 | 11.9mm x 220.7mm x 1466.9mm |
| 14                             | PC1297-14 | 11.9mm x 220.7mm x 1771.7mm |

## CABINET UNIT HEATERS SHIPPING WEIGHT (KG)

| STYLE  | SIZE  |       |       |       |       |       |       |        |
|--------|-------|-------|-------|-------|-------|-------|-------|--------|
|        | 02    | 03    | 04    | 06    | 08    | 10    | 12    | 14     |
| FS-FSI | 42.64 | 50.35 | 56.25 | 68.04 | 76.20 | 80.74 | 89.81 | 101.15 |

|                                  |            |   |   |  |   |  |  |  |
|----------------------------------|------------|---|---|--|---|--|--|--|
| SLOPE TOP FLOOR                  | <b>FS</b>  |  | <br>FS-1005  | <br>FS-1015<br>25% F.A. | <br>FS-1025<br>← See options 18 & 19 → | <br>FS-1035<br>25% F.A. | OPTION<br><input type="checkbox"/> 18<br><input type="checkbox"/> 19 |  |
| SLOPE TOP FLOOR<br>INVERTED FLOW | <b>FSI</b> |  | <br>FSI-1045 | <br>FSI-1055          |   |  |  |  |

# CABINET UNIT HEATERS HEATING CAPACITIES

TABLE II — STANDARD COIL - METRIC

ENTERING WATER - 93.3°C  
ENTERING AIR - 15.5°C

| UNIT SIZE | LITERS/SECOND | WATER P.D./M | HIGH FAN SPEED |          |        |        | LOW FAN SPEED |          |        |        |
|-----------|---------------|--------------|----------------|----------|--------|--------|---------------|----------|--------|--------|
|           |               |              | L/SEC.         | WATTS    | WTD °C | FAT °C | L/SEC.        | WATTS    | WTD °C | FAT °C |
| 02        | 0.032         | 0.006        | 108.55         | 3751.3   | 28.4   | 43.9   | 87.31         | 3458.2   | 26.2   | 48.3   |
|           | 0.063         | 0.018        |                | 4425.4   | 16.7   | 48.9   |               | 4044.4   | 15.3   | 53.9   |
|           | 0.095         | 0.046        |                | 4747.8   | 12.0   | 51.7   |               | 4396.1   | 11.1   | 57.2   |
|           | 0.126         | 0.073        |                | 5099.4   | 9.6    | 54.4   |               | 4718.4   | 8.9    | 60.0   |
|           | 0.158         | 0.110        |                | 5509.7   | 8.3    | 57.2   |               | 5070.1   | 7.6    | 63.3   |
| 03        | 0.063         | 0.021        | 158.10         | 6242.4   | 23.6   | 47.8   | 127.43        | 5597.7   | 21.2   | 51.7   |
|           | 0.095         | 0.049        |                | 6447.6   | 14.7   | 48.9   |               | 5802.8   | 14.6   | 53.3   |
|           | 0.126         | 0.079        |                | 6652.7   | 12.6   | 50.0   |               | 5890.7   | 11.1   | 53.9   |
|           | 0.158         | 0.119        |                | 6887.2   | 10.4   | 51.7   |               | 6066.6   | 9.2    | 55.0   |
|           | 0.189         | 0.168        |                | 6975.1   | 8.7    | 52.2   |               | 6183.8   | 7.8    | 55.6   |
| 04        | 0.063         | 0.021        | 202.94         | 6388.9   | 24.2   | 41.1   | 162.82        | 5568.4   | 21.1   | 43.9   |
|           | 0.126         | 0.082        |                | 7795.7   | 14.7   | 47.2   |               | 7004.4   | 13.2   | 51.1   |
|           | 0.158         | 0.125        |                | 8499.1   | 12.9   | 50.0   |               | 7561.2   | 11.4   | 53.9   |
|           | 0.252         | 0.305        |                | 9055.9   | 8.5    | 52.2   |               | 8030.1   | 7.6    | 56.1   |
|           | 0.315         | 0.442        |                | 9466.2   | 7.1    | 53.9   |               | 8293.9   | 6.2    | 57.8   |
| 06        | 0.126         | 0.091        | 297.33         | 11,840.1 | 22.4   | 48.3   | 238.33        | 10,462.6 | 19.8   | 51.7   |
|           | 0.189         | 0.192        |                | 13,129.6 | 16.5   | 51.7   |               | 11,664.2 | 14.7   | 56.1   |
|           | 0.252         | 0.335        |                | 13,833.0 | 13.1   | 53.9   |               | 12,279.7 | 11.6   | 57.8   |
|           | 0.315         | 0.488        |                | 14,477.7 | 11.0   | 55.6   |               | 12,777.9 | 9.7    | 60.0   |
|           | 0.379         | 0.686        |                | 14,858.7 | 9.4    | 56.7   |               | 13,071.0 | 8.3    | 61.1   |
| 08        | 0.126         | 0.094        | 405.87         | 13,803.6 | 26.1   | 43.3   | 323.28        | 12,309.0 | 23.3   | 47.2   |
|           | 0.189         | 0.195        |                | 15,298.3 | 19.3   | 46.1   |               | 13,627.8 | 17.2   | 50.6   |
|           | 0.252         | 0.335        |                | 15,796.5 | 14.9   | 47.2   |               | 14,155.3 | 13.4   | 51.7   |
|           | 0.379         | 0.686        |                | 16,412.0 | 10.3   | 48.9   |               | 14,389.8 | 9.1    | 52.2   |
|           | 0.505         | 1.173        |                | 16,939.5 | 8.0    | 50.0   |               | 15,005.2 | 7.1    | 53.9   |
| 10        | 0.189         | 0.198        | 500.26         | 16,353.4 | 18.1   | 42.8   | 398.80        | 14,712.2 | 18.6   | 46.1   |
|           | 0.252         | 0.351        |                | 17,701.5 | 16.7   | 44.4   |               | 15,679.3 | 14.9   | 47.8   |
|           | 0.379         | 0.716        |                | 18,229.0 | 11.5   | 45.6   |               | 16,031.0 | 10.1   | 48.9   |
|           | 0.505         | 1.219        |                | 18,785.9 | 8.9    | 46.7   |               | 16,499.9 | 7.8    | 49.4   |
|           | 0.631         | 1.829        |                | 19,342.7 | 7.3    | 47.2   |               | 17,261.9 | 6.5    | 51.1   |
| 12        | 0.252         | 0.366        | 580.50         | 20,954.6 | 19.8   | 45.0   | 464.87        | 19,078.9 | 18.1   | 55.0   |
|           | 0.379         | 0.762        |                | 21,833.8 | 13.7   | 46.7   |               | 19,518.5 | 12.3   | 56.1   |
|           | 0.505         | 1.280        |                | 22,478.6 | 10.6   | 47.2   |               | 19,928.8 | 9.4    | 56.7   |
|           | 0.631         | 1.920        |                | 22,771.6 | 8.6    | 47.8   |               | 20,221.9 | 7.6    | 57.2   |
|           | 0.757         | 2.697        |                | 23,035.4 | 7.2    | 48.3   |               | 20,427.1 | 6.4    | 57.8   |
| 14        | 0.221         | 0.305        | 665.45         | 20,808.1 | 22.5   | 41.1   | 533.30        | 19,430.6 | 21.0   | 45.6   |
|           | 0.252         | 0.396        |                | 21,716.6 | 20.5   | 42.2   |               | 20,046.1 | 19.0   | 46.7   |
|           | 0.379         | 0.823        |                | 22,742.3 | 14.4   | 43.9   |               | 20,485.7 | 12.9   | 47.2   |
|           | 0.631         | 2.073        |                | 23,709.5 | 9.0    | 45.0   |               | 21,247.7 | 8.0    | 48.3   |
|           | 0.757         | 2.911        |                | 23,943.9 | 7.5    | 45.0   |               | 21,394.2 | 6.7    | 48.9   |

# CABINET UNIT HEATERS HEATING CAPACITIES

TABLE III — HIGH CAPACITY - 2 ROW COIL - METRIC

ENTERING WATER - 93.3°C  
ENTERING AIR - 15.5°C

| UNIT SIZE | LITERS/SECOND | WATER P.D./M | HIGH FAN SPEED |          |        |        | LOW FAN SPEED |          |        |        |
|-----------|---------------|--------------|----------------|----------|--------|--------|---------------|----------|--------|--------|
|           |               |              | L/SEC.         | WATTS    | WTD °C | FAT °C | L/SEC.        | WATTS    | WTD °C | FAT °C |
| 02        | 0.032         | 0.009        | 106.19         | 5246.0   | 39.7   | 56.1   | 84.95         | 4835.7   | 36.6   | 62.2   |
|           | 0.063         | 0.027        |                | 6359.6   | 24.1   | 65.0   |               | 5832.1   | 22.1   | 72.2   |
|           | 0.095         | 0.067        |                | 6828.6   | 17.2   | 68.3   |               | 6271.7   | 15.8   | 76.7   |
|           | 0.126         | 0.104        |                | 7268.2   | 13.7   | 72.2   |               | 6594.1   | 12.5   | 79.4   |
|           | 0.158         | 0.152        |                | 7531.9   | 11.4   | 73.9   |               | 6887.2   | 10.4   | 82.2   |
| 03        | 0.063         | 0.030        | 155.74         | 8821.4   | 33.4   | 62.2   | 125.07        | 8293.9   | 31.4   | 70.0   |
|           | 0.095         | 0.076        |                | 9349.0   | 23.6   | 65.0   |               | 8469.8   | 21.4   | 71.7   |
|           | 0.126         | 0.116        |                | 9700.7   | 18.4   | 66.7   |               | 8704.2   | 16.5   | 72.8   |
|           | 0.158         | 0.171        |                | 10,052.3 | 15.2   | 68.9   |               | 8880.1   | 13.4   | 73.9   |
|           | 0.189         | 0.235        |                | 10,228.2 | 12.9   | 69.4   |               | 9026.6   | 11.4   | 75.0   |
| 04        | 0.063         | 0.034        | 198.22         | 9231.7   | 35.0   | 53.9   | 158.10        | 8645.6   | 32.7   | 60.6   |
|           | 0.126         | 0.134        |                | 11,576.3 | 21.9   | 63.9   |               | 10,491.9 | 32.7   | 70.0   |
|           | 0.158         | 0.180        |                | 12,426.2 | 18.8   | 67.2   |               | 11,078.1 | 19.9   | 73.3   |
|           | 0.252         | 0.430        |                | 13,305.4 | 12.6   | 71.1   |               | 11,634.9 | 16.7   | 76.1   |
|           | 0.315         | 0.622        |                | 13,715.7 | 10.4   | 72.8   |               | 11,957.3 | 11.0   | 77.8   |
| 06        | 0.126         | 0.137        | 292.61         | 16,880.9 | 32.0   | 63.3   | 233.61        | 15,444.8 | 9.0    | 70.0   |
|           | 0.189         | 0.283        |                | 18,492.8 | 23.4   | 67.8   |               | 16,705.1 | 29.2   | 74.4   |
|           | 0.252         | 0.488        |                | 19,342.7 | 18.3   | 70.0   |               | 17,496.3 | 21.1   | 77.2   |
|           | 0.315         | 0.701        |                | 20,251.2 | 15.3   | 72.8   |               | 17,936.0 | 16.6   | 78.9   |
|           | 0.379         | 1.006        |                | 20,368.4 | 12.9   | 73.3   |               | 18,170.4 | 13.6   | 79.4   |
| 08        | 0.126         | 0.140        | 398.80         | 19,665.1 | 37.2   | 56.1   | 318.56        | 17,027.4 | 11.5   | 59.4   |
|           | 0.189         | 0.290        |                | 22,214.8 | 28.0   | 61.7   |               | 19,987.4 | 32.2   | 67.2   |
|           | 0.252         | 0.503        |                | 23,240.5 | 22.0   | 63.3   |               | 20,983.9 | 25.2   | 70.0   |
|           | 0.379         | 1.021        |                | 24,207.7 | 15.2   | 65.6   |               | 21,511.4 | 19.9   | 71.1   |
|           | 0.505         | 1.707        |                | 25,350.7 | 12.0   | 67.8   |               | 22,214.8 | 13.6   | 72.8   |
| 10        | 0.189         | 0.305        | 490.83         | 24,793.8 | 31.3   | 57.2   | 391.72        | 22,244.1 | 10.5   | 62.2   |
|           | 0.252         | 0.533        |                | 26,552.2 | 25.1   | 60.0   |               | 23,797.4 | 28.1   | 65.6   |
|           | 0.379         | 1.067        |                | 27,724.5 | 17.5   | 62.2   |               | 24,618.0 | 22.5   | 67.2   |
|           | 0.505         | 1.798        |                | 28,896.8 | 13.7   | 63.9   |               | 25,292.0 | 15.5   | 68.9   |
|           | 0.631         | 2.697        |                | 29,776.0 | 11.2   | 65.6   |               | 26,054.0 | 12.0   | 70.6   |
| 12        | 0.252         | 0.564        | 571.06         | 30,860.4 | 29.2   | 60.0   | 457.79        | 27,343.5 | 9.9    | 65.0   |
|           | 0.379         | 1.143        |                | 32,706.7 | 20.6   | 62.8   |               | 29,424.3 | 25.9   | 68.3   |
|           | 0.505         | 1.920        |                | 33,791.1 | 16.0   | 64.4   |               | 30,127.7 | 18.6   | 70.0   |
|           | 0.631         | 2.880        |                | 34,611.7 | 13.1   | 65.6   |               | 30,772.5 | 14.2   | 71.1   |
|           | 0.757         | 4.023        |                | 35,109.9 | 11.1   | 66.1   |               | 31,270.7 | 11.6   | 71.7   |
| 14        | 0.252         | 0.625        | 653.65         | 32,179.2 | 30.5   | 56.1   | 523.86        | 29,365.7 | 9.9    | 61.7   |
|           | 0.315         | 0.914        |                | 33,644.6 | 25.5   | 57.8   |               | 30,332.9 | 27.8   | 63.3   |
|           | 0.379         | 1.265        |                | 34,670.3 | 21.9   | 59.4   |               | 31,241.4 | 23.0   | 65.0   |
|           | 0.631         | 3.185        |                | 36,868.3 | 14.0   | 62.2   |               | 32,648.1 | 19.7   | 66.7   |
|           | 0.757         | 4.435        |                | 37,483.8 | 11.8   | 62.8   |               | 32,882.6 | 12.4   | 67.2   |

# SPECIFICATIONS & WARRANTY\*

## \*STANDARD CABINET UNIT ONLY

The contractor shall furnish and install Sterling Cabinet Unit Heaters as selected to meet or exceed job requirements. The Cabinet Unit Heaters will conform to the items listed below and be certified under CSA guidelines.

### CABINETS

All cabinets will be constructed with 18-gauge cold rolled steel, side panels and top. The front panel shall be furnished in 16-gauge cold rolled steel. It will have 1/2", 1-1/2 pound insulation with one side neoprene coated in front of coil. The internal cabinet shall be furnished in 18-gauge galvanized steel. Adequate work area for installation of control valves or electrical equipment shall be provided on both sides of the internal cabinet.

The cabinet shall be provided with a neutral eggshell baked enamel prime coat as standard. (Available if specified) Powder coated baked enamel, color selected from standard.

All cabinets shall be supplied with adjustable rear mounting brackets which will provide adjustment to correct alignment of the unit at installation to non square or out of true walls, joists, studs or surfaces. Adjustable leveling legs (two each base leg) are available when specified.

### RECESSED UNITS

All recessed units shall be supplied with a "Wall Seal" assembly. This assembly shall provide protection to the wall or ceiling construction material. The "Wall Seal" shall be supplied in an eggshell baked enamel prime coat as standard. (When specified) Baked enamel colors may be selected from standard.

### CEILING MOUNT OR RECESSED UNITS

All "C" and "RC" units shall be supplied with a hinged front panel. The multiple hinges shall provide full swing through 90°. A safety chain shall be provided as standard to prevent the face panel from swinging fully open accidentally. This chain must be easily detached to allow full access for servicing. Speed control switch will be shipped with wiring diagram for installation where desired.

### FILTERS

All filters supplied as standard shall be reusable aluminum media with a 69% arrestance level. Filters shall be slide in type which are locked into position with a cotter pin.

### FANS

Fan wheels shall be centrifugal, forward curved, double width of electro galvanized steel. Fan housings shall be of formed galvanized sheet metal.

### COILS

**STANDARD ONE ROW** - The durable mechanically bonded copper/aluminum coil presents the best of today's hydronic heating technology. All element assemblies are submersion tested at factory at 250 PSI and are rated at a working pressure of 300 PSI. All units are designed so that field modifications can be made to reverse the coil position if required.

**HIGH CAPACITY COIL** - This is a hot water coil designed to provide increased capacity when the required load exceeds that of the standard coil for a given size. Its construction is similar to the standard coil however, there are two rows of tubes. Element assemblies are submersion tested at 250 PSI and are rated at a working pressure of 300 PSI.

### MOTORS

Standard PSC motors shall have integral thermal protection and start at 78% of rated voltage. Optional PSC High Static motors will be capable of operating in high static conditions up to 4 inches of water column. All motors shall be factory run-tested and assembled in unit prior to shipping. Optional ECM and high static motors will have a solid state control board and a 3 speed switch. All motors shall be factory run-tested and assembled in unit prior to shipping.

### ELECTRICAL

All primary internal wiring shall be done at the factory and every unit shall be factory tested for reliability.

### FRESH AIR DAMPERS ON DESIGATED UNITS ONLY

When desired specify either of the following:

1. Where noted 25% Manual Outside Air Dampers shall be provided. A manually operated damper quadrant shall provide from 0% to 25% outside air through the use of a single blade damper.

2. Where noted 25% Motorized Outside Air Dampers shall be provided. A synchronous motor (115/60/1) interlocked with the blower shall automatically open the outside air damper when blower starts. The single blade damper shall be adjustable from 0% to 25% outside air. When the blower stops or there is a loss of power, the damper shall return to the closed position. A damper override switch shall be provided to prevent damper operation when desired.

### WARRANTY

The products in this catalog are warranted by Sterling, to be free from defects in material and workmanship for a period of one (1) year from the date of shipment from Sterling's plant. Sterling's liability under this warranty is limited to replacing or repairing at our option, F.O.B. our plant any defective component or assembly returned to our factory prepaid and with proper return authorization document. All repairs or replacements are made subject to factory inspection. In the interest of product improvement, Sterling reserves the right to make changes without notification.



**STERLING**  
COMMERCIAL HYDRONIC PRODUCTS

260 NORTH ELM STREET / WESTFIELD, MA 01085  
TEL: (413) 568-9571 FAX: (413) 562-8437  
www.sterlingheat.com



A MESTEK COMPANY