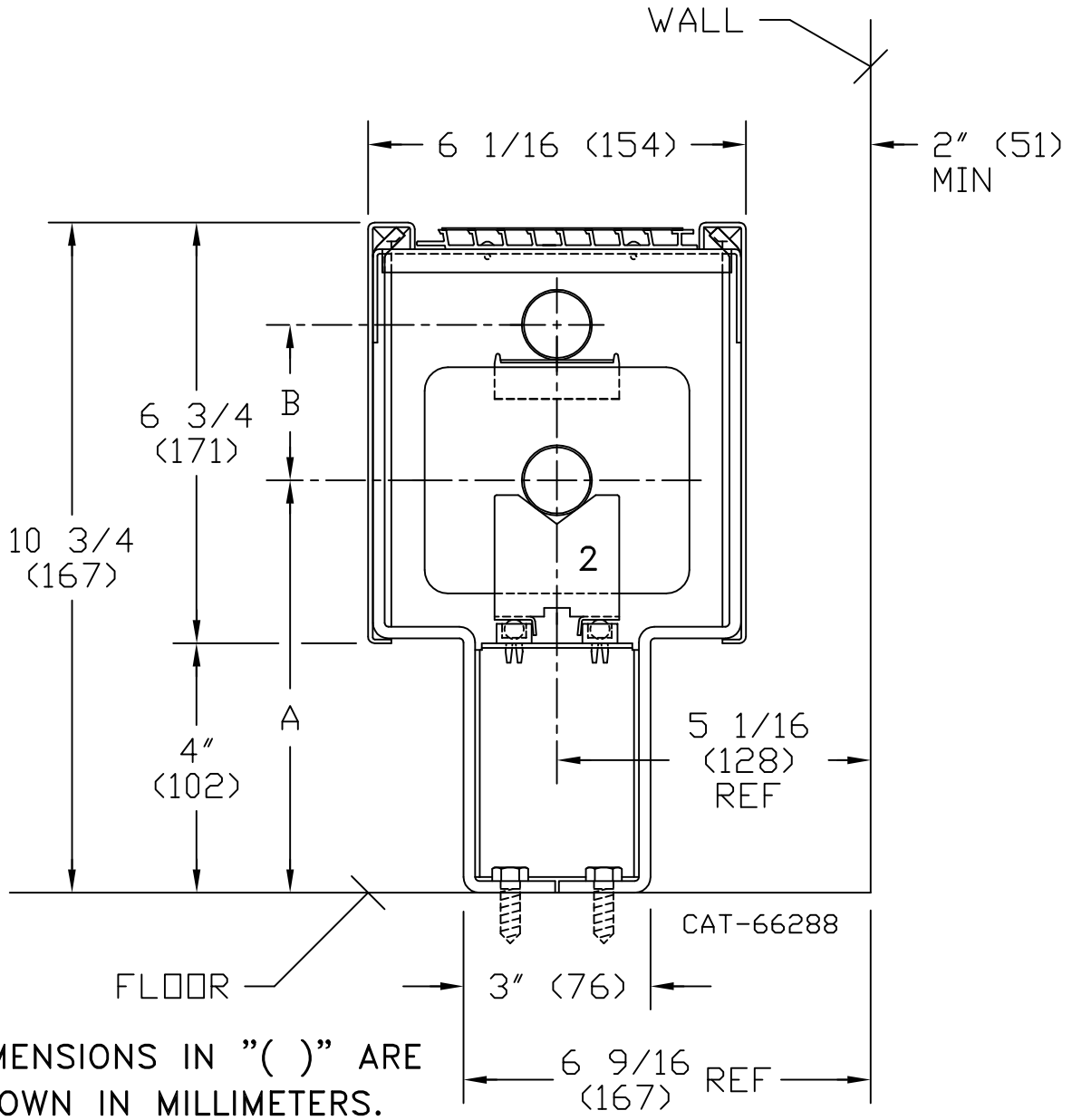


# JVB-ARPM OR VB-ARPM WITH RETURN ABOVE ELEMENT



ELEMENT TUBE SIZE	ELEMENT FIN SIZE	A	B
3/4 (20) COPPER	4 1/4 (108) x	6 7/16 (164)	2 3/8 (60)
1" (25) COPPER	3 5/8 (92)	6 5/8 (168)	2 1/2 (64)

THIS PRINT AND ALL INFORMATION APPEARING THEREON IS THE PROPERTY OF THE STERLING RADIATOR DIVISION OF MESTEK INC. NEITHER THE PRINT NOR THE INFORMATION THEREON MAY BE REPRODUCED OR USED IN ANY MANNER WHATSOEVER OR DIVULGED TO ANY OTHER PERSON UNLESS SPECIFICALLY AUTHORIZED BY MESTEK INC.

<b>HYDRONIC HEATING PRODUCTS</b> 260 North Elm St. Westfield, Mass. 01085 DIVISION OF MESTEK, INC.		<b>C</b>
DATE	3/8/05	JOB NAME
DRN. BY	RJP	ELEMENT
CKD. BY		
SCALE	1=1.5	
TITLE	JVB OR VB-ARPM WITH RETURN ABOVE ELEMENT	DWG. NO. CAT-66288
REV.		

LET.	ECN NO.	REVISION	DATE	BY	APVD.