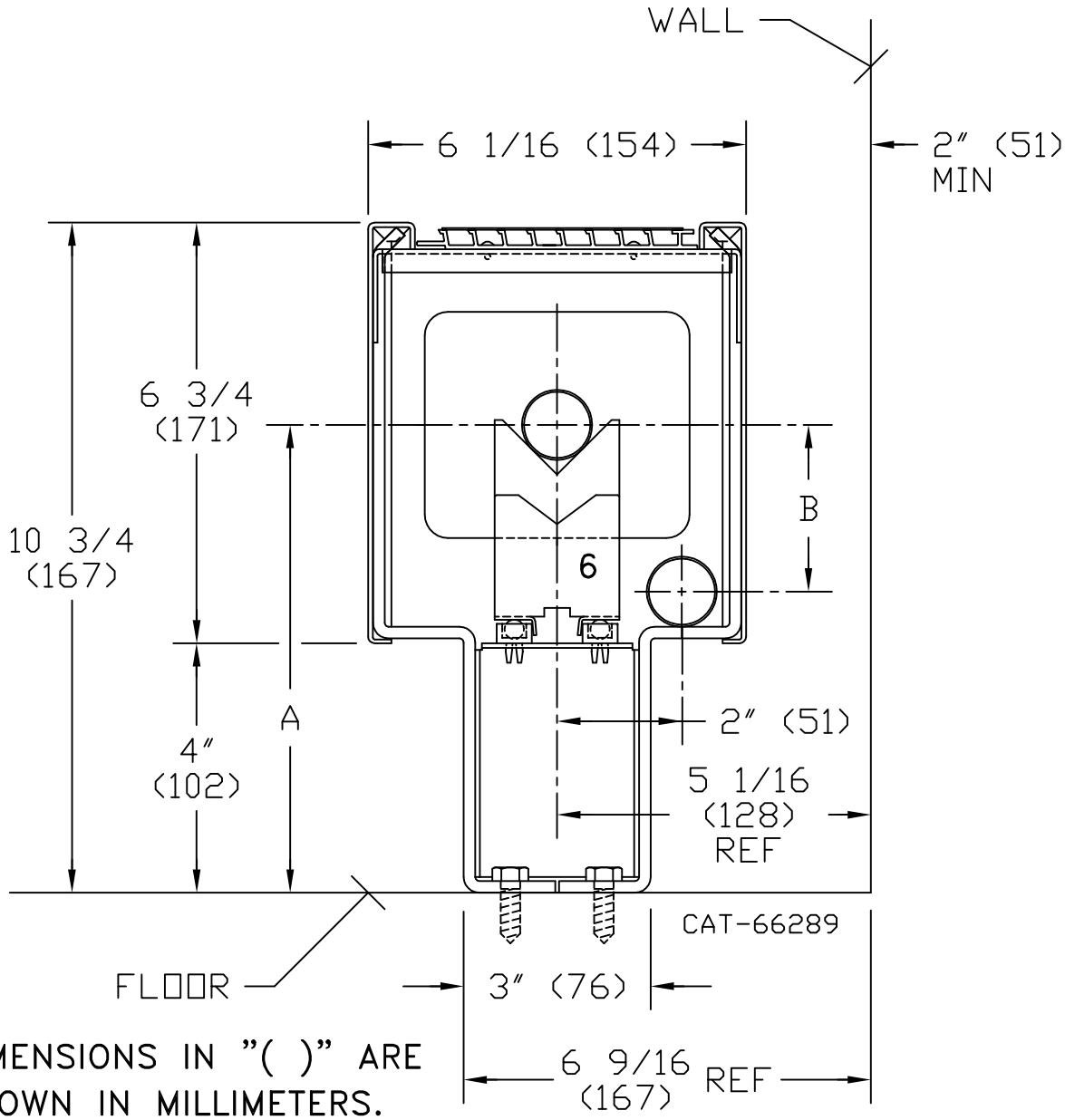


JVB-ARPM OR VB-ARPM WITH RETURN BELOW ELEMENT



DIMENSIONS IN "()" ARE SHOWN IN MILLIMETERS.

ELEMENT TUBE SIZE	ELEMENT FIN SIZE	A	B WITH 3/4 (20) RETURN	B WITH 1" (25) RETURN
3/4 (20) COPPER	4 1/4 (108) x	7 3/8 (187)	2 5/8 (67)	2 1/2 (64)
1" (25) COPPER	3 5/8 (92)	7 1/2 (190)	2 7/8 (73)	2 11/16 (68)

HYDRONIC HEATING PRODUCTS
260 North Elm St. Westfield, Mass. 01085
DIVISION OF MESTEK, INC.

DATE	3/8/05	JOB NAME	C
DRN. BY	RJP	ELEMENT	
CHK. BY			
SCALE	1=1.5		

THIS PRINT AND ALL INFORMATION APPEARING THEREON IS THE PROPERTY OF THE STERLING RADIATOR DIVISION OF MESTEK INC. NEITHER THE PRINT NOR THE INFORMATION THEREON MAY BE REPRODUCED OR USED IN ANY MANNER WHATSOEVER OR DIVULGED TO ANY OTHER PERSON UNLESS SPECIFICALLY AUTHORIZED BY MESTEK INC.

LET.	ECN NO.	REVISION	DATE	BY	APVD.	TITLE	JVB OR VB-ARPM WITH RETURN BELOW ELEMENT	DWG. NO.	CAT-66289	REV.
------	---------	----------	------	----	-------	-------	--	----------	-----------	------