

CLASSIC

Submittal

JVB/VB-ARPM/2PM
Classic Architectural
Copper/Aluminum and
Steel Elements

Specification

JVB Slip Jointed Enclosure

ENCLOSURE:

- STYLE: Classic Pedestal Mtd.
 OUTLET: Extruded Aluminum Grille
 Pencil Proof
- LENGTHS: 2'0" thru 8'0" in 6" Increments
 MAT'L: 16 Ga. CRS (Std)
 14 Ga. CRS (Opt'l)
 16 Ga. Stainless Steel (Opt'l)*
 14 Ga. Stainless Steel (Opt'l)*
 14 Ga. Aluminum (Opt'l)
 12 Ga. Aluminum (Opt'l)
 *Available on "J" Style only
- FINISH: Baked Powder (Std)
 Baked Metallic

ACCESSORIES:

- JVB Overlapping Type
 VB Underlapping Type

ELEMENT:

- TYPE: Cu/Al (Mechanically Expanded)
- LENGTHS: 2'0" thru 12'6" in 1" Increments for 1" & 1-1/4" Cu.
 2'0" thru 8'0" in 1" Increments for 3/4" Cu
- One End Flared, (Std)
- TYPE: IPS Steel (Mechanically Expanded)
- LENGTHS: 2'0" Thru 12'0" in 1" Increments
 NPT Thread both Ends (Std)
 Beveled Ends for Field Weld

See Catalog for Working Pressures

VB Wiped Edge Enclosure

BACKPLATE: Not Applicable

BRACKETS:

- Pedestal Brk't w/ B.B.
 Floor Mounted

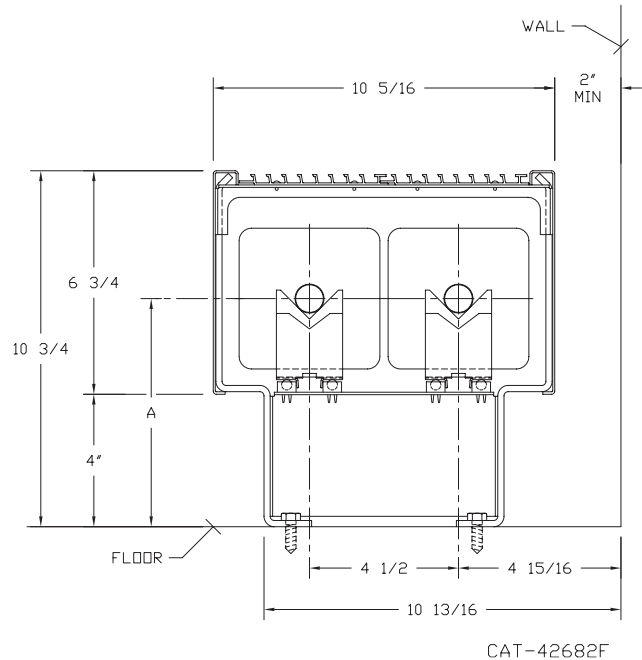
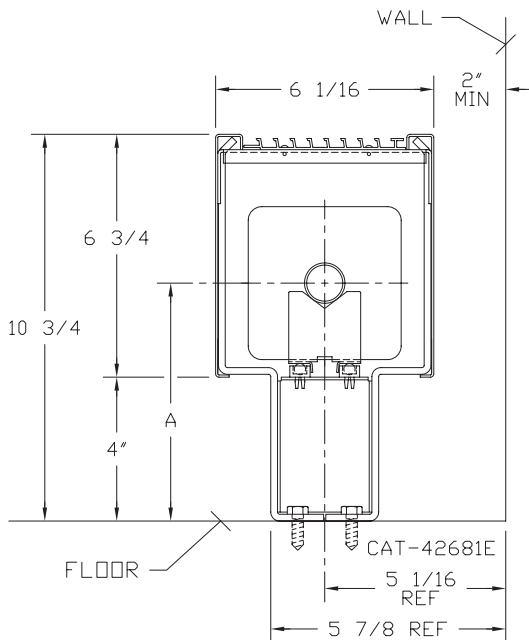
DAMPER:

- Slide Damper (Opt'l)

JVB-ARPM
VB-ARPM
(JVB Shown)

ELEMENT TUBE SIZE	FIN SIZE HEIGHT x WIDTH	CRADLE NUMBER	A
3/4 COPPER	3 5/8 x 4 1/4	2	6 7/16
3/4 COPPER	4 1/4 x 4 1/4	3A	6 13/16
1" COPPER	3 5/8 x 4 1/4	2	6 5/8
1" COPPER	4 1/4 x 4 1/4	2	6 5/8
1 1/4 COPPER	3 5/8 x 4 1/4	2	6 3/4
1 1/4 COPPER	4 1/4 x 4 1/4	2	6 3/4
1" STEEL	4 1/4 x 4 1/4	2	6 3/4
1 1/4 STEEL	4 1/4 x 4 1/4	2	6 15/16
2" STEEL	4 1/4 x 4 1/4	1	6 11/16

JVB-AR2PM
VB-AR2PM
(JVB Shown)



COMMERCIAL HYDRONIC PRODUCTS
 260 North Elm St., Westfield, MA 01085
 (413) 564-5535 Fax: (413) 562-8437
 www.sterlingheat.com



PROJECT: _____ DATE: _____
 LOCATION: _____
 ARCHITECT: _____
 ENGINEER: _____
 CONTRACTOR: _____
 PO NUMBER: _____

STYLE JVB/VB-ARPM/2PM

COPPER/ALUMINUM ELEMENT RATINGS

ALL RATINGS ARE BASED ON 3 FPS WATER VELOCITY, 65° EAT.

TUBE SIZE	CATALOG DESIGNATION	FIN SIZE HEIGHT X WIDTH	FIN PER FT.	FIN THICKNESS	ENCL. HEIGHT	ROWS AND CENTERS	MTG. HEIGHT	ENCL. DEPTH	STEAM RATING 215°F, 65°F E.A.T. BTU/FT/HR	HOT WATER RATINGS BTU/FT/HR AWT						
										180°	170°	160°	150°	140°	130°	120°
										0.69	0.61	0.53	0.45	.40	.33	.26
3/4"	C3/4-433	3-5/8" x 4-1/4"	32	.020	6 3/4	1	10 3/4	6 1/16	1040	720	630	550	470	420	340	270
						2 - 4 1/2		10 5/16	2080	1440	1270	1100	940	830	690	540
3/4"	C3/4-434	3-5/8" x 4-1/4"	40	.020	6 3/4	1	10 3/4	6 1/16	1250	860	760	660	560	500	410	330
						2 - 4 1/2		10 5/16	2490	1720	1520	1320	1120	1000	820	650
3/4"	C3/4-435	3-5/8" x 4-1/4"	50	.020	6 3/4	1	10 3/4	6 1/16	1380	950	840	730	620	550	460	360
						2 - 4 1/2		10 5/16	2750	1900	1680	1460	1240	1100	910	720
1"	C433	3-5/8" x 4-1/4"	32	.020	6 3/4	1	10 3/4	6 1/16	1080	750	660	570	490	430	360	280
						2 - 4 1/2		10 5/16	2170	1500	1320	1150	980	870	720	560
1"	C434	3-5/8" x 4-1/4"	40	.020	6 3/4	1	10 3/4	6 1/16	1210	830	740	640	540	480	400	310
						2 - 4 1/2		10 5/16	2430	1680	1480	1290	1090	970	800	630
1"	C435	3-5/8" x 4-1/4"	50	.020	6 3/4	1	10 3/4	6 1/16	1380	950	840	730	620	550	460	360
						2 - 4 1/2		10 5/16	2750	1900	1680	1460	1240	1100	910	720
1-1/4"	C1433	3-5/8" x 4-1/4"	32	.020	6 3/4	1	10 3/4	6 1/16	1130	780	690	600	510	450	370	290
						2 - 4 1/2		10 5/16	2250	1550	1370	1190	1010	900	740	590
1-1/4"	C1434	3-5/8" x 4-1/4"	40	.020	6 3/4	1	10 3/4	6 1/16	1240	860	760	660	560	500	410	320
						2 - 4 1/2		10 5/16	2480	1710	1510	1310	1120	990	820	640
1-1/4"	C1435	3-5/8" x 4-1/4"	50	.020	6 3/4	1	10 3/4	6 1/16	1380	950	840	730	620	550	460	360
						2 - 4 1/2		10 5/16	2750	1900	1680	1460	1240	1100	910	720
3/4"	C3/4-43	4-1/4" SQ.	32	.020	6 3/4	1	10 3/4	6 1/16	1150	790	700	610	520	460	380	300
						2 - 4 1/2		10 5/16	2300	1590	1400	1220	1040	920	760	600
3/4"	C3/4-44	4-1/4" SQ.	40	.020	6 3/4	1	10 3/4	6 1/16	1380	950	840	730	620	550	460	360
						2 - 4 1/2		10 5/16	2750	1900	1680	1460	1240	1100	910	720
3/4"	C3/4-45	4-1/4" SQ.	50	.020	6 3/4	1	10 3/4	6 1/16	1420	980	870	750	640	570	470	370
						2 - 4 1/2		10 5/16	2840	1960	1730	1510	1280	1140	940	740
1"	C43	4-1/4" SQ.	32	.020	6 3/4	1	10 3/4	6 1/16	1150	790	700	610	520	460	380	300
						2 - 4 1/2		10 5/16	2300	1590	1400	1220	1040	920	760	600
1"	C44	4-1/4" SQ.	40	.020	6 3/4	1	10 3/4	6 1/16	1280	880	780	680	580	510	420	330
						2 - 4 1/2		10 5/16	2560	1770	1560	1360	1150	1020	840	670
1"	C45	4-1/4" SQ.	50	.020	6 3/4	1	10 3/4	6 1/16	1440	990	880	760	650	580	480	370
						2 - 4 1/2		10 5/16	2890	1990	1760	1530	1300	1160	950	750
1-1/4"	C143	4-1/4" SQ.	32	.020	6 3/4	1	10 3/4	6 1/16	1200	830	730	640	540	480	400	310
						2 - 4 1/2		10 5/16	2410	1660	1470	1280	1080	960	800	630
1-1/4"	C144	4-1/4" SQ.	40	.020	6 3/4	1	10 3/4	6 1/16	1430	990	870	760	640	570	470	370
						2 - 4 1/2		10 5/16	2860	1970	1740	1520	1290	1140	940	740
1-1/4"	C145	4-1/4" SQ.	50	.020	6 3/4	1	10 3/4	6 1/16	1470	1010	900	780	660	590	490	380
						2 - 4 1/2		10 5/16	2940	2030	1790	1560	1320	1180	970	760

Note: Confirm temperature of air on inside of glass window at outside winter design temperature. Apply correction factor for lower entering air temperature.

STEEL ELEMENT RATINGS*

ALL RATINGS ARE BASED ON 3 FPS WATER VELOCITY, 65° EAT.

TUBE SIZE	CATALOG DESIGNATION	FIN SIZE HEIGHT X WIDTH	FIN PER FT.	FIN THICKNESS	ENCL. HEIGHT	ROWS AND CENTERS	MTG. HEIGHT	ENCL. DEPTH	STEAM RATING 215°F, 65°F E.A.T. BTU/FT/HR	HOT WATER RATINGS BTU/FT/HR AWT						
										180°	170°	160°	150°	140°	130°	120°
										0.69	0.61	0.53	0.45	.40	.33	.26
1"	S43	4-1/4" SQ.	32	.032	6 3/4	1	10 3/4	6 1/16	1140	790	700	600	510	460	380	300
						2 - 4 1/2		10 5/16	2270	1570	1380	1200	1020	910	750	590
1"	S44	4-1/4" SQ.	40	.032	6 3/4	1	10 3/4	6 1/16	1280	880	780	680	580	510	420	330
						2 - 4 1/2		10 5/16	2560	1770	1560	1360	1150	1020	840	670
1"	S45	4-1/4" SQ.	50	.032	6 3/4	1	10 3/4	6 1/16	1360	940	830	720	610	540	450	350
						2 - 4 1/2		10 5/16	2720	1880	1660	1440	1220	1090	900	710
1-1/4"	S143	4-1/4" SQ.	32	.032	6 3/4	1	10 3/4	6 1/16	1130	780	690	600	510	450	370	290
						2 - 4 1/2		10 5/16	2250	1550	1370	1190	1010	900	740	590
1-1/4"	S144	4-1/4" SQ.	40	.032	6 3/4	1	10 3/4	6 1/16	1270	880	770	670	570	510	420	330
						2 - 4 1/2		10 5/16	2550	1760	1560	1350	1150	1020	840	660
1-1/4"	S145	4-1/4" SQ.	50	.032	6 3/4	1	10 3/4	6 1/16	1330	920	810	700	600	530	440	350
						2 - 4 1/2		10 5/16	2670	1840	1630	1420	1200	1070	880	690
2"	S242	4-1/4" SQ.	25	.032	6 3/4	1	10 3/4	6 1/16	980	680	600	520	440	390	320	250
						2 - 4 1/2		10 5/16	1960	1350	1200	1040	880	780	650	510
2"	S243	4-1/4" SQ.	32	.032	6 3/4	1	10 3/4	6 1/16	1140	790	700	600	510	460	380	300
						2 - 4 1/2		10 5/16	2270	1570	1380	1200	1020	910	750	590

* NPT threads furnished on steel elements. Please use domestic fittings for proper installation.

RETURN PIPING OPTIONS WITH 3/4" & 1" COPPER TUBE ELEMENTS

