

CLASSIC

Submittal

JVB/VB-AR10LI
Classic Architectural
Copper/Aluminum and
Steel Elements

Specification

JVB Slip Jointed Enclosure

ENCLOSURE:

STYLE: Classic Louvered Inlet
OUTLET: Extruded Aluminum
Pencil Proof

LENGTHS: 2'0" thru 8'0" in 6" Increments

MAT'L: 16 Ga. CRS (Std)
 14 Ga. CRS (Opt'l)
 16 Ga. Stainless Steel (Opt'l)*
 14 Ga. Stainless Steel (Opt'l)*
 14 Ga. Aluminum (Opt'l)
 12 Ga. Aluminum (Opt'l)

*Available on "J" Style Only

FINISH: Baked Powder (Std)
 Baked Metallic

FLOOR ANGLE:

Ext. Al (Clear Anodized)

ACCESSORIES:

JVB Overlapping Type
 VB Underlapping Type

ELEMENT:

TYPE: Cu/Al (Mechanically Expanded)

LENGTHS: 2'0" thru 12'6" in 1" Increments for 1" & 1-1/4" Cu.
2'0" thru 8'0" in 1" Increments for 3/4" Cu.

One End Flared, (Std)

TYPE: IPS Steel (Mechanically Expanded)

LENGTHS: 2'0" Thru 12'0" in 1" Increments
 NPT Thread both Ends (Std)
 Beveled Ends for Field Weld

See Catalog for Working Pressures

VB Wiped Edge Enclosure

BACKPLATE:

TYPE: Partial B/P

LENGTHS: 8'0" Only

MAT'L: 20 Ga. Prepainted (Std)
 18 Ga. Galvannealed (Opt'l)

TYPE: Full Ht. B/P (Opt'l)

LENGTHS: 2'0" thru 8'0" in 6" Increments

MAT'L: 20 Ga. Galvannealed (Opt'l)
 20 Ga. Painted (Opt'l)
 18 Ga. Painted (Opt'l)

AIRSEAL:

1/8" x 3/8" Closed Cell (Opt'l)

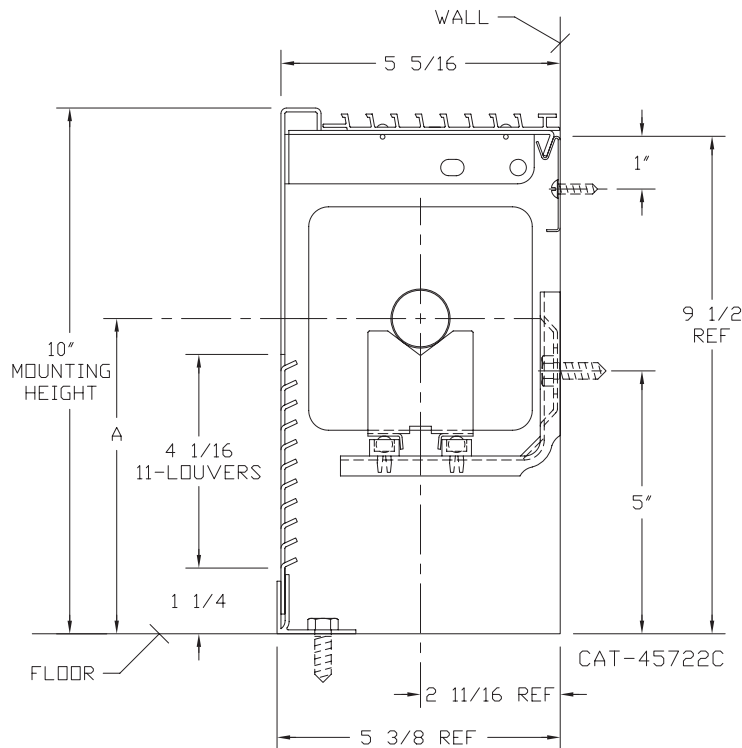
BRACKETS:

B.B. Hgr Wall Mtd. B

DAMPER:

Slide Damper (Opt'l)

JVB/VB-AR10LI (JVB Shown)



ELEMENT TUBE SIZE	FIN SIZE HEIGHT x WIDTH	CRADLE NUMBER	A
3/4 COPPER	3 5/8 x 4 1/4	2	5 13/16
3/4 COPPER	4 1/4 x 4 1/4	3A	6 3/16
1" COPPER	3 5/8 x 4 1/4	2	6"
1" COPPER	4 1/4 x 4 1/4	2	6"
1 1/4 COPPER	3 5/8 x 4 1/4	2	6 1/8
1 1/4 COPPER	4 1/4 x 4 1/4	2	6 1/8
1" STEEL	4 1/4 x 4 1/4	2	6 1/8
1 1/4 STEEL	4 1/4 x 4 1/4	2	6 5/16
2" STEEL	4 1/4 x 4 1/4	1	6 1/8



STERLING

COMMERCIAL HYDRONIC PRODUCTS

260 North Elm St., Westfield, MA 01085

(413) 564-5535 Fax: (413) 562-8437

www.sterlingheat.com



PROJECT: _____ DATE: _____

LOCATION: _____

ARCHITECT: _____

ENGINEER: _____

CONTRACTOR: _____

PO NUMBER: _____

STYLE JVB/VB-AR10LI

COPPER/ALUMINUM ELEMENT RATINGS

ALL RATINGS ARE BASED ON 3 FPS WATER VELOCITY, 65° EAT.

TUBE SIZE	CATALOG DESIGNATION	FIN SIZE HEIGHT X WIDTH	FIN PER FT.	FIN THICKNESS	ENCL. HEIGHT	TIERS OF ELEMENT	MTG. HEIGHT	STEAM RATING 215°F, 65°F E.A.T. BTU/FT/HR	HOT WATER RATINGS BTU/FT/HR AWT						
									180°	170°	160°	150°	140°	130°	120°
									0.69	0.61	0.53	0.45	.40	.33	.26
3/4"	C3/4-433	3-5/8" x 4-1/4"	32	.020	10"	1	10"	1020	700	620	540	460	410	340	270
3/4"	C3/4-434	3-5/8" x 4-1/4"	40	.020	10"	1	10"	1180	810	720	630	530	470	390	310
3/4"	C3/4-435	3-5/8" x 4-1/4"	50	.020	10"	1	10"	1255	870	770	670	560	500	410	330
1"	C433	3-5/8" x 4-1/4"	32	.020	10"	1	10"	1090	750	660	580	490	440	360	280
1"	C434	3-5/8" x 4-1/4"	40	.020	10"	1	10"	1200	830	730	640	540	480	400	310
1"	C435	3-5/8" x 4-1/4"	50	.020	10"	1	10"	1290	890	790	680	580	520	430	340
1-1/4"	C1433	3-5/8" x 4-1/4"	32	.020	10"	1	10"	1070	740	650	570	480	430	350	280
1-1/4"	C1434	3-5/8" x 4-1/4"	40	.020	10"	1	10"	1180	810	720	630	530	470	390	310
1-1/4"	C1435	3-5/8" x 4-1/4"	50	.020	10"	1	10"	1270	880	770	670	570	510	420	330
3/4"	C3/4-43	4-1/4" SQ.	32	.020	10"	1	10"	1190	820	730	630	540	480	390	310
3/4"	C3/4-44	4-1/4" SQ.	40	.020	10"	1	10"	1290	890	790	680	580	520	430	340
3/4"	C3/4-45	4-1/4" SQ.	50	.020	10"	1	10"	1310	900	800	690	590	520	430	340
1"	C43	4-1/4" SQ.	32	.020	10"	1	10"	1200	830	730	640	540	480	400	310
1"	C44	4-1/4" SQ.	40	.020	10"	1	10"	1320	910	810	700	590	530	440	340
1"	C45	4-1/4" SQ.	50	.020	10"	1	10"	1340	920	820	710	600	540	440	350
1-1/4"	C143	4-1/4" SQ.	32	.020	10"	1	10"	1170	810	710	620	530	470	390	300
1-1/4"	C144	4-1/4" SQ.	40	.020	10"	1	10"	1300	900	790	690	590	520	430	340
1-1/4"	C145	4-1/4" SQ.	50	.020	10"	1	10"	1320	910	810	700	590	530	440	340

STEEL ELEMENT RATINGS*

ALL RATINGS ARE BASED ON 3 FPS WATER VELOCITY, 65° EAT.

I.P.S. SIZE	CATALOG DESIGNATION	FIN SIZE HEIGHT X WIDTH	FIN PER FT.	FIN THICKNESS	ENCL. HEIGHT	TIERS OF ELEMENT	MTG. HEIGHT	STEAM RATING 215°F, 65°F E.A.T. BTU/FT/HR	HOT WATER RATINGS BTU/FT/HR AWT						
									180°	170°	160°	150°	140°	130°	120°
									0.69	0.61	0.53	0.45	.40	.33	.26
1"	S43	4-1/4" SQ.	32	.032	10"	1	10"	1045	720	640	550	470	420	340	270
1"	S44	4-1/4" SQ.	40	.032	10"	1	10"	1140	790	700	600	510	460	380	300
1"	S45	4-1/4" SQ.	50	.032	10"	1	10"	1225	850	750	650	550	490	400	320
1-1/4"	S143	4-1/4" SQ.	32	.032	10"	1	10"	1035	710	630	550	470	410	340	270
1-1/4"	S144	4-1/4" SQ.	40	.032	10"	1	10"	1150	790	700	610	520	460	380	300
1-1/4"	S145	4-1/4" SQ.	50	.032	10"	1	10"	1210	830	740	640	540	480	400	310
2"	S242	4-1/4" SQ.	25	.032	10"	1	10"	905	620	550	480	410	360	300	240
2"	S243	4-1/4" SQ.	32	.032	10"	1	10"	1075	740	660	570	480	430	350	280

* Male NPT threads furnished on steel elements. Please use domestic fittings for proper installation.