

CLASSIC

Submittal

JVB/VB-AR18 & 24LI
Classic Architectural
Copper/Aluminum and
Steel Elements

Specification

JVB Slip Jointed Enclosure

ENCLOSURE:

- STYLE: Classic Louvered Inlet
 OUTLET: Extruded Aluminum Pencil Proof
- LENGTHS: 2'0" thru 8'0" in 6" Increments
 MAT'L: 16 Ga. CRS (Std)
 14 Ga. CRS (Opt'l)
 16 Ga. Stainless Steel (Opt'l)*
 14 Ga. Stainless Steel (Opt'l)*
 14 Ga. Aluminum (Opt'l)
 12 Ga. Aluminum (Opt'l)
 *Available on "J" Style only
- HEIGHT: 18-7/16"
 24-7/16"
- FINISH: Baked Powder (Std)
 Baked Metallic

FLOOR ANGLE:

- Ext. Al (Clear Anodized)

ACCESSORIES:

- JVB Overlapping Type
 VB Underlapping Type

ELEMENT:

- TYPE: Cu/Al (Mechanically Expanded)
 LENGTHS: 2'0" thru 12'6" in 1" Increments for 1" & 1-1/4" Cu.
 2'0" thru 8'0" in 1" Increments for 3/4" Cu
- One End Flared, (Std)
- TYPE: IPS Steel (Mechanically Expanded)
 LENGTHS: 2'0" Thru 12'0" in 1" Increments
 NPT Thread both Ends (Std)
 Beveled Ends for Field Weld
- See Catalog for Working Pressures

VB Wiped Edge Enclosure

BACKPLATE:

- TYPE: Partial B/P
 LENGTHS: 8'0" Only
 MAT'L: 20 Ga. Prepainted (Std)
 18 Ga. Galvannealed (Opt'l)
- TYPE: Full Ht. B/P (Opt'l)
 LENGTHS: 2'0" thru 8'0" in 6" Increments
 MAT'L: 20 Ga. Galvannealed (Opt'l)
 20 Ga. Painted (Opt'l)
 18 Ga. Painted (Opt'l)

AIRSEAL:

- 1/8" x 3/8" Closed Cell (Opt'l)

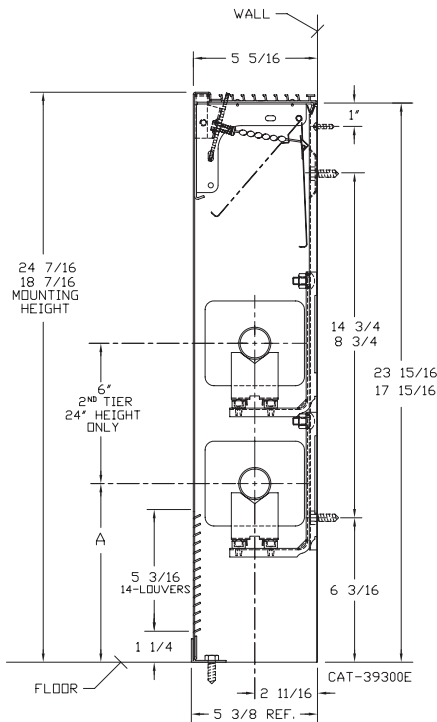
BRACKETS:

- Vertical Wall Brkt w/B.B. Hgr

DAMPER:

- Dial Type (Opt'l)
 Tamper Resistant (Opt'l)
 Slide Damper (Opt'l)

JVB/VB-AR18 & 24LI
(JVB Shown)



ELEMENT TUBE SIZE	FIN SIZE HEIGHT x WIDTH	CRADLE NUMBER	A	
			MIN.	MAX.
3/4 COPPER	3 5/8 x 4 1/4	2	8'	8 11/16
3/4 COPPER	4 1/4 x 4 1/4	3A		9 1/16
1" COPPER	3 5/8 x 4 1/4	2		8 13/16
1" COPPER	4 1/4 x 4 1/4	2		8 13/16
1 1/4 COPPER	3 5/8 x 4 1/4	2		9'
1 1/4 COPPER	4 1/4 x 4 1/4	2		9'
1" STEEL	4 1/4 x 4 1/4	2		8 15/16
1 1/4 STEEL	4 1/4 x 4 1/4	2		9 3/16
2" STEEL	4 1/4 x 4 1/4	1		8 15/16



COMMERCIAL HYDRONIC PRODUCTS
 260 North Elm St., Westfield, MA 01085
 (413) 564-5535 Fax: (413) 562-8437
 www.sterlingheat.com



PROJECT: _____ DATE: _____
 LOCATION: _____
 ARCHITECT: _____
 ENGINEER: _____
 CONTRACTOR: _____
 PO NUMBER: _____

STYLE JVB/VB-AR18 & 24LI

COPPER/ALUMINUM ELEMENT RATINGS

ALL RATINGS ARE BASED ON 3 FPS WATER VELOCITY, 65° EAT.

TUBE SIZE	CATALOG DESIGNATION	FIN SIZE HEIGHT X WIDTH	FIN PER FT.	FIN THICKNESS	ENCL. HEIGHT	TIERS AND CENTERS	MTG. HEIGHT	STEAM RATING 215°F, 65°F E.A.T. BTU/FT/HR	HOT WATER RATINGS BTU/FT/HR AWT						
									180°	170°	160°	150°	140°	130°	120°
									0.69	0.61	0.53	0.45	.40	.33	.26
3/4"	C3/4-433	3-5/8" x 4-1/4"	32	.020	18-7/16	1	18-7/16	1360	940	830	720	610	540	450	350
					24-7/16	1	24-7/16	1400	970	850	740	630	560	460	360
					24-7/16	2-6CL	24-7/16	2220	1530	1350	1180	1000	890	730	580
3/4"	C3/4-434	3-5/8" x 4-1/4"	40	.020	18-7/16	1	18-7/16	1620	1120	990	860	730	650	530	420
					24-7/16	1	24-7/16	1710	1180	1040	910	770	680	560	440
					24-7/16	2-6 CL	24-7/16	2390	1650	1460	1270	1080	960	790	620
3/4"	C3/4-435	3-5/8" x 4-1/4"	50	.020	18-7/16	1	18-7/16	1780	1230	1090	940	800	710	590	460
					24-7/16	1	24-7/16	1940	1340	1180	1030	870	780	640	500
					24-7/16	2-6 CL	24-7/16	2400	1660	1460	1270	1080	960	790	620
1"	C433	3-5/8" x 4-1/4"	32	.020	18-7/16	1	18-7/16	1410	970	860	750	630	560	470	370
					24-7/16	1	24-7/16	1450	1000	880	770	650	580	480	380
					24-7/16	2-6 CL	24-7/16	2320	1600	1420	1230	1040	930	770	600
1"	C434	3-5/8" x 4-1/4"	40	.020	18-7/16	1	18-7/16	1690	1170	1030	900	760	680	560	440
					24-7/16	1	24-7/16	1800	1240	1100	950	810	720	590	470
					24-7/16	2-6 CL	24-7/16	2510	1730	1530	1330	1130	1000	830	650
1"	C435	3-5/8" x 4-1/4"	50	.020	18-7/16	1	18-7/16	1850	1280	1130	980	830	740	610	480
					24-7/16	1	24-7/16	2030	1400	1240	1080	910	810	670	530
					24-7/16	2-6 CL	24-7/16	2510	1730	1530	1330	1130	1000	830	650
1-1/4"	C1433	3-5/8" x 4-1/4"	32	.020	18-7/16	1	18-7/16	1380	950	840	730	620	550	460	360
					24-7/16	1	24-7/16	1420	980	870	750	640	570	470	370
					24-7/16	2-6 CL	24-7/16	2280	1570	1390	1210	1030	910	750	590
1-1/4"	C1434	3-5/8" x 4-1/4"	40	.020	18-7/16	1	18-7/16	1660	1150	1010	880	750	660	550	430
					24-7/16	1	24-7/16	1760	1210	1070	930	790	700	580	460
					24-7/16	2-6 CL	24-7/16	2460	1700	1500	1300	1110	980	810	640
1-1/4"	C1435	3-5/8" x 4-1/4"	50	.020	18-7/16	1	18-7/16	1760	1210	1070	930	790	700	580	460
					24-7/16	1	24-7/16	1920	1320	1170	1020	860	770	630	500
					24-7/16	2-6 CL	24-7/16	2370	1640	1450	1260	1070	950	780	620
3/4"	C3/4-43	4-1/4" SQ.	32	.020	18-7/16	1	18-7/16	1470	1010	900	780	660	590	490	380
					24-7/16	1	24-7/16	1540	1060	940	820	690	620	510	400
					24-7/16	2-6 CL	24-7/16	2310	1590	1410	1220	1040	920	760	600
3/4"	C3/4-44	4-1/4" SQ.	40	.020	18-7/16	1	18-7/16	1840	1160	1020	890	760	670	550	440
					24-7/16	1	24-7/16	1950	1230	1090	940	800	710	590	460
					24-7/16	2-6 CL	24-7/16	2360	1680	1480	1290	1090	970	800	630
3/4"	C3/4-45	4-1/4" SQ.	50	.020	18-7/16	1	18-7/16	1870	1290	1140	990	840	750	620	490
					24-7/16	1	24-7/16	2050	1410	1250	1090	920	820	680	530
					24-7/16	2-6 CL	24-7/16	2480	1710	1510	1310	1120	990	820	640
1"	C43	4-1/4" SQ.	32	.020	18-7/16	1	18-7/16	1470	1010	900	780	660	590	490	380
					24-7/16	1	24-7/16	1540	1060	940	820	690	620	510	400
					24-7/16	2-6 CL	24-7/16	2340	1610	1430	1240	1050	940	770	610
1"	C44	4-1/4" SQ.	40	.020	18-7/16	1	18-7/16	1720	1190	1050	910	770	690	570	450
					24-7/16	1	24-7/16	1810	1250	1100	960	810	720	600	470
					24-7/16	2-6 CL	24-7/16	2510	1730	1530	1330	1130	1000	830	650
1"	C45	4-1/4" SQ.	50	.020	18-7/16	1	18-7/16	1900	1310	1160	1010	860	760	630	490
					24-7/16	1	24-7/16	2090	1440	1270	1110	940	840	690	540
					24-7/16	2-6 CL	24-7/16	2510	1730	1530	1330	1130	1000	830	650
1-1/4"	C143	4-1/4" SQ.	32	.020	18-7/16	1	18-7/16	1440	990	880	760	650	580	480	370
					24-7/16	1	24-7/16	1510	1040	920	800	680	600	500	390
					24-7/16	2-6 CL	24-7/16	2300	1590	1400	1220	1040	920	760	600
1-1/4"	C144	4-1/4" SQ.	40	.020	18-7/16	1	18-7/16	1690	1170	1030	900	760	680	560	440
					24-7/16	1	24-7/16	1780	1230	1090	940	800	710	590	460
					24-7/16	2-6 CL	24-7/16	2460	1700	1500	1300	1110	980	810	640
1-1/4"	C145	4-1/4" SQ.	50	.020	18-7/16	1	18-7/16	1870	1290	1140	990	840	750	620	490
					24-7/16	1	24-7/16	2050	1410	1250	1090	920	820	680	530
					24-7/16	2-6 CL	24-7/16	2460	1700	1500	1300	1110	980	810	640

STYLE JVB/VB-AR18 & 24LI

STEEL ELEMENT RATINGS*

ALL RATINGS ARE BASED ON 3 FPS WATER VELOCITY, 65° EAT.

TUBE SIZE	CATALOG DESIGNATION	FIN SIZE HEIGHT X WIDTH	FIN PER FT.	FIN THICKNESS	ENCL. HEIGHT	TIERS AND CENTERS	MTG. HEIGHT	STEAM RATING 215°F, 65°F E. A. T. BTU/FT/HR	HOT WATER RATINGS BTU/FT/HR AWT						
									180°	170°	160°	150°	140°	130°	120°
									0.69	0.61	0.53	0.45	.40	.33	.26
1"	S43	4-1/4" SQ.	32	.032	18-7/16	1	18-7/16	1210	830	740	640	540	480	400	310
					24-7/16	1	24-7/16	1270	880	770	670	570	510	420	330
					24-7/16	2-6 CL	24-7/16	2080	1440	1270	1100	940	830	690	540
1"	S44	4-1/4" SQ.	40	.032	18-7/16	1	18-7/16	1440	990	880	760	650	580	480	370
					24-7/16	1	24-7/16	1530	1060	930	810	690	610	500	400
					24-7/16	2-6 CL	24-7/16	2330	1610	1420	1230	1050	930	770	610
1"	S45	4-1/4" SQ.	50	.032	18-7/16	1	18-7/16	1490	1030	910	790	670	600	490	390
					24-7/16	1	24-7/16	1565	1080	950	830	700	630	520	410
					24-7/16	2-6 CL	24-7/16	2285	1580	1390	1210	1030	910	750	590
1-1/4"	S143	4-1/4" SQ.	32	.032	18-7/16	1	18-7/16	1200	830	730	640	540	480	400	310
					24-7/16	1	24-7/16	1260	870	770	670	570	500	420	330
					24-7/16	2-6 CL	24-7/16	2060	1420	1260	1090	930	820	680	540
1-1/4"	S144	4-1/4" SQ.	40	.032	18-7/16	1	18-7/16	1430	990	870	760	640	570	470	370
					24-7/16	1	24-7/16	1520	1050	930	810	680	610	500	400
					24-7/16	2-6 CL	24-7/16	2240	1550	1370	1190	1010	900	740	580
1-1/4"	S145	4-1/4" SQ.	50	.032	18-7/16	1	18-7/16	1460	1010	890	770	660	580	480	380
					24-7/16	1	24-7/16	1535	1060	940	810	690	610	510	400
					24-7/16	2-6 CL	24-7/16	2240	1550	1370	1190	1010	900	740	580
2"	S242	4-1/4" SQ.	25	.032	18-7/16	1	18-7/16	1090	750	660	580	490	440	360	280
					24-7/16	1	24-7/16	1130	780	690	600	510	450	370	290
					24-7/16	2-6 CL	24-7/16	1830	1260	1120	970	820	730	600	480
2"	S243	4-1/4" SQ.	32	.032	18-7/16	1	18-7/16	1290	890	790	680	580	520	430	340
					24-7/16	1	24-7/16	1330	920	810	700	600	530	440	350
					24-7/16	2-6 CL	24-7/16	2030	1400	1240	1080	910	810	670	530

*NPT threads furnished on steel elements. Please use domestic fittings for proper installation.