

VERSA-LINE

Submittal

PCV Pipe Cover
Vertical
2 Sided
3 Sided

Specification

PCV 2 Sided

PCV 3 Sided

PIPE COVER:

STYLE: Vertical (No Slip Joints)
 5" x 5"
 8" x 8"

LENGTHS: 8'0" (For shorter lengths, consult factory)

MAT'L: 18 Ga. CRS (Std)
 16 Ga. CRS (Opt'l)
 14 Ga. CRS (Opt'l)

FINISH: Baked Primer (Std)
 Baked Enamel (Opt'l)

FINISH: 16 Ga. Stainless Steel (Opt'l)
 14 Ga. Aluminum Clear Anod (Opt'l)

1" x 1" Angle Std. 8'0" long Prime
 1" x 1" Angle (Opt'l) 8'0" long BE

ACCESSORIES:

2" Joiner Piece (Overlapping)

PIPE COVER:

STYLE: Vertical (No Slip Joints)
 5" x 5" x 5"
 8" x 8" x 8"

LENGTHS: 8'0" (For shorter lengths, consult factory)

MAT'L: 18 Ga. CRS (Std)
 16 Ga. CRS (Opt'l)
 14 Ga. CRS (Opt'l)

FINISH: Baked Primer (Std)
 Baked Enamel (Opt'l)

FINISH: 16 Ga. Stainless Steel (Opt'l)
 14 Ga. Aluminum Clear Anod (Opt'l)

1" x 1" Angle Std. 8'0" long Prime
 1" x 1" Angle (Opt'l) 8'0" long BE

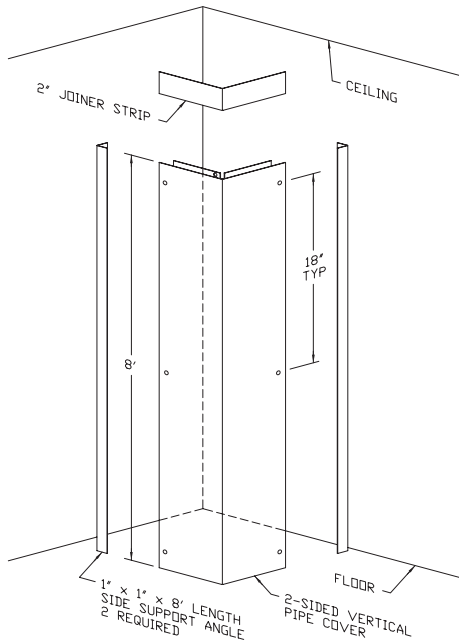
ACCESSORIES:

2" Joiner Piece (Overlapping)

PCV PIPE COVER- VERTICAL

PCV-52

PCV-82



FASTENERS ARE BY OTHERS.

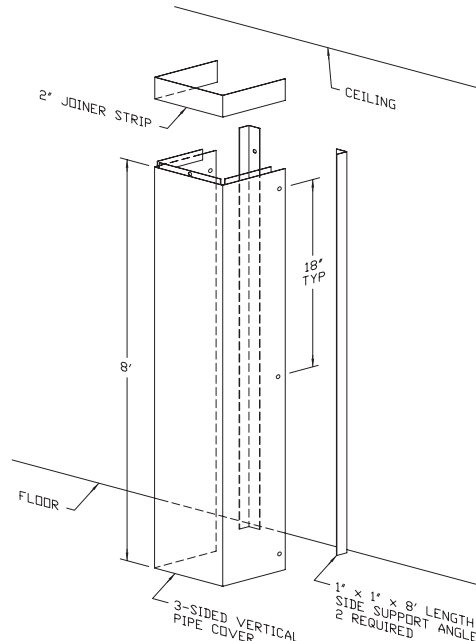
FOR CEILING HEIGHTS GREATER THAN 8', MULTIPLE PIECES WILL BE REQUIRED.

PCV-52 5' x 5' x 8' LENGTHS
PCV-82 8' x 8' x 8' LENGTHS

CAT-68234

PCV-53

PCV-83



FASTENERS ARE BY OTHERS.

FOR CEILING HEIGHTS GREATER THAN 8', MULTIPLE PIECES WILL BE REQUIRED.

PCV-53 5' x 5' x 8' LENGTHS
PCV-83 8' x 8' x 8' LENGTHS

CAT-68235



COMMERCIAL HYDRONIC PRODUCTS

260 North Elm St., Westfield, MA 01085
(413) 564-5535 Fax: (413) 562-8437

www.sterlingheat.com



PROJECT: _____ DATE: _____

LOCATION: _____

ARCHITECT: _____

ENGINEER: _____

CONTRACTOR: _____

PO NUMBER: _____