

# ENGINEERED PRODUCTS



## Model - AH(20, 40) (0) (0) S

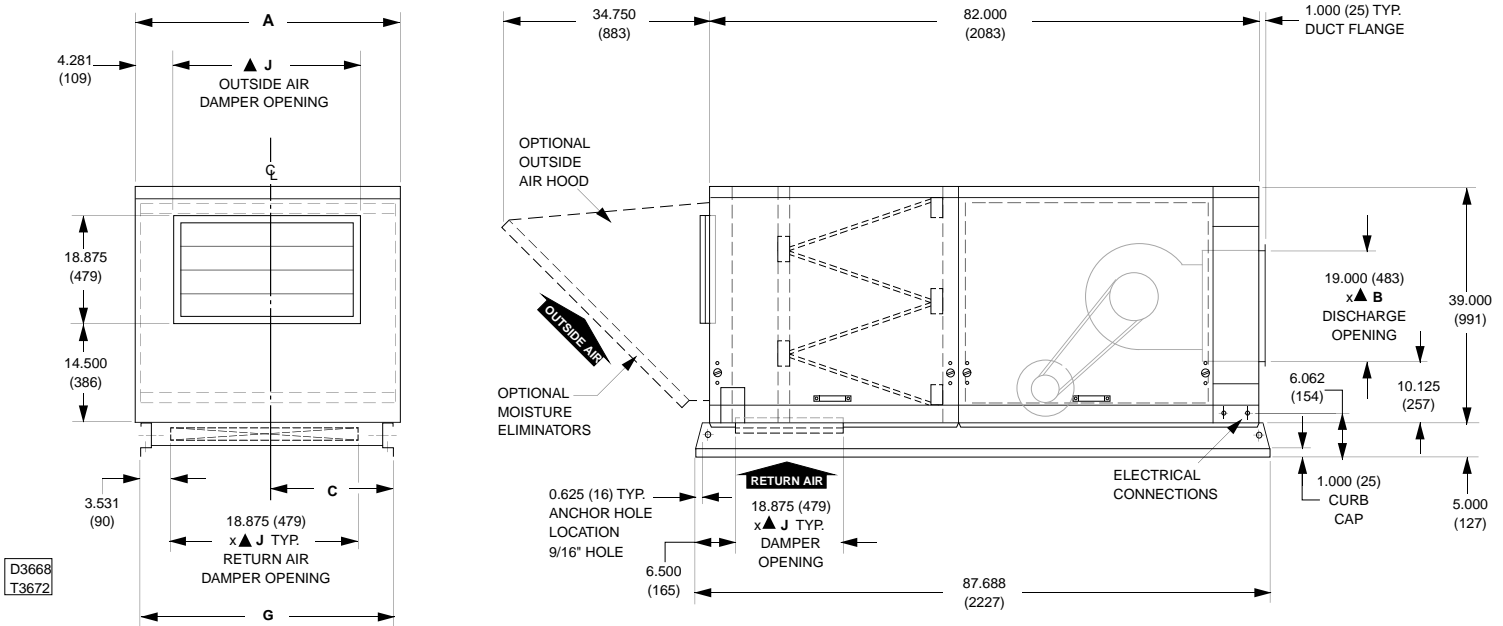
Unit Type (UT) - AH, High CFM Air Handler

Capacity (CA) - 20 or 40 (200 or 400 mBTU)

Furnace Type/Access Side (FT) - A, Right Hand or B, Left Hand

Furnace Construction Material (FM) - 0, None

Rooftop Arrangement (RA) - S, High CFM Air Handler



CAPACITY	A	B	C	G	▲J
<input type="checkbox"/> 20	43.875 (1114)	23.812 (605)	21.938 (557)	42.062 (1068)	35.000 (889)
<input type="checkbox"/> 40	60.375 (1534)	45.812 (1164)	30.188 (767)	58.562 (1487)	51.500 (1308)

NOTE:  
DIMENSIONS ARE IN INCHES, DIMENSIONS IN PARENTHESIS ARE IN MILLIMETERS.  
▲ "J" DIMENSION IS AN OUTSIDE DIMENSION FOR RETURN AIR DAMPERS.

Project: \_\_\_\_\_

Unit Tag: \_\_\_\_\_



260 NORTH ELM ST. WESTFIELD, MA 01085  
(413) 564-5540 • FAX: (413) 562-5311

www.sterlinghvac.com A MESTEK COMPANY

The above dimensional drawing includes options that might not pertain to the unit being submitted for approval. Please note that the following items checked below are **not included** with the unit being submitted:

Outside Air Opening / Dampers       Outside Air Hood

Return Air Openings / Dampers

# ENGINEERED PRODUCTS

## AH(20, 40) (0) (0) S Performance Table

		TOTAL EXTERNAL STATIC PRESSURE (INCHES OF WATER)															
		0.2		0.4		0.6		0.8		1		1.2		1.4		1.6	
Capacity	CFM	RPM	BHP	RPM	BHP	RPM	BHP	RPM	BHP	RPM	BHP	RPM	BHP	RPM	BHP	RPM	BHP
20	3,000	455	0.52	495	0.60	550	0.70	610	0.82	670	0.93	730	1.06	785	1.21	840	1.37
	4,000	575	1.13	610	1.24	645	1.35	680	1.47	720	1.61	760	1.76	810	1.92	855	2.07
	5,000	695	2.11	730	2.27	760	2.41	790	2.55	815	2.68	840	2.83	870	2.99	905	3.17
	6,000	820	3.54	850	3.75	880	3.94	905	4.12	930	4.28	950	4.44	975	4.60	995	4.77
	7,000	945	5.51	975	5.78	1000	6.02	1025	6.24	1050	6.45	1070	6.64	1090	6.83	1105	7.02
	7,500	1005	6.74	1035	7.03	1060	7.30	1085	7.54	1110	7.77	1130	7.99	1150	8.19	1165	8.40
	8,000	1070	8.13	1095	8.45	1125	8.74	1145	9.01	1170	9.27	1190	9.50	1210	9.73	1225	9.95
40	5,000	405	0.67	465	0.84	540	1.03	610	1.25	675	1.50	740	1.77	800	2.04	855	2.31
	6,000	470	1.08	510	1.26	570	1.48	630	1.71	690	1.95	745	2.22	800	2.53	855	2.85
	8,000	595	2.40	630	2.62	665	2.84	700	3.10	745	3.39	790	3.71	835	4.02	880	4.33
	10,000	730	4.52	760	4.81	785	5.07	810	5.34	840	5.64	870	5.96	900	6.31	935	6.70
	12,000	860	7.64	890	8.01	915	8.35	935	8.67	960	8.99	980	9.32	1000	9.66	1025	10.04
	14,000	995	11.97	1020	12.41	1045	12.83	1065	13.22	1085	13.6	1105	13.97	1120	14.34	1140	14.73

		TOTAL EXTERNAL STATIC PRESSURE (INCHES OF WATER)													
		1.8		2		2.2		2.4		2.6		2.8		3	
Capacity	CFM	RPM	BHP	RPM	BHP	RPM	BHP	RPM	BHP	RPM	BHP	RPM	BHP	RPM	BHP
20	3,000	890	1.53	940	1.69	985	1.86	1030	2.02	1075	2.19				
	4,000	900	2.23	940	2.40	985	2.58	1025	2.78	1070	2.99	1110	3.20	1150	3.41
	5,000	940	3.36	975	3.56	1015	3.76	1050	3.95	1085	4.15	1120	4.35	1155	4.55
	6,000	1020	4.96	1045	5.15	1070	5.36	1100	5.59	1130	5.82	1160	6.06	1190	6.30
	7,000	1125	7.21	1145	7.40	1165	7.60	1185	7.81	1205	8.04	1225	8.28	1250	8.52
	7,500	1185	8.59	1200	8.8	1215	9.00	1235	9.21	1255	9.43	1270	9.66	1290	9.91
40	5,000	905	2.59	955	2.88										
	6,000	905	3.17	955	3.50										
	8,000	925	4.66	965	5.01										
	10,000	975	7.10	1010	7.49	1045	7.88	1085	8.27	1120	8.66	1155	9.07	1190	9.50
	12,000	1050	10.44	1080	10.88	1110	11.33	1140	11.80	1170	12.28	1200	12.76	1230	13.23

**NOTES:** The pressure drop for Accessories from the following table, must be allowed for when using the above Performance table.

Unless otherwise specified, the following conversions may be used for calculating SI units.  
 1 Cu. Ft. = 0.028m<sup>3</sup>, 1 ft. = 0.305m, 1 in. = 25.4mm, 1 psig = 6.894 kPa, 1000 Btu per hr. = 0.293 kW,  
 1 in. water column = 0.249 kPa, 1 gallon = 3.785 L, 1000 Btu/Cu. Ft. = 37.5 MJ/m<sup>3</sup>, 1 lb. = 0.453 kg.

## AH(20, 40) (0) (0) S Accessories Pressure Drop Table

		PRESSURE LOSS (INCHES OF WATER)								RETURN AIR DAMPER
		RAINHOOD WITH		FILTERS						
Capacity	CFM	SCREEN	ELIM	THROWAWAY 2"	WASHABLE 1"	2"	PLEATED 1"	2"		
20	3,000	.05	.07	.06	.01	.02	.07	.04	.08	
	4,000	.09	.13	.09	.02	.03	.12	.07	.15	
	5,000	.15	.20	.12	.03	.04	.17	.10	.23	
	6,000	.21	.29	.16	.04	.06	.23	.14	.33	
	6,500	.25	.34	.17	.05	.07	.26	.16	.39	
	7,000	.29	.40	.19	.06	.08	.30	.18	.45	
	7,400	.32	.45	—	.06	.09	.33	.20	.50	
40	5,000	.07	.10	.05	<.01	.01	.06	.03	.10	
	6,000	.10	.14	.07	.01	.02	.08	.04	.15	
	8,000	.17	.24	.10	.02	.03	.13	.07	.26	
	10,000	.27	.38	.13	.03	.05	.19	.11	.41	
	12,000	.39	.55	.17	.05	.07	.26	.16	.59	
	14,000	.53	.75	—	.07	.09	.33	.21	.80	

## AH(20, 40) (0) (0) S Weights, Filter Data & Roof Openings

### Unit Weights

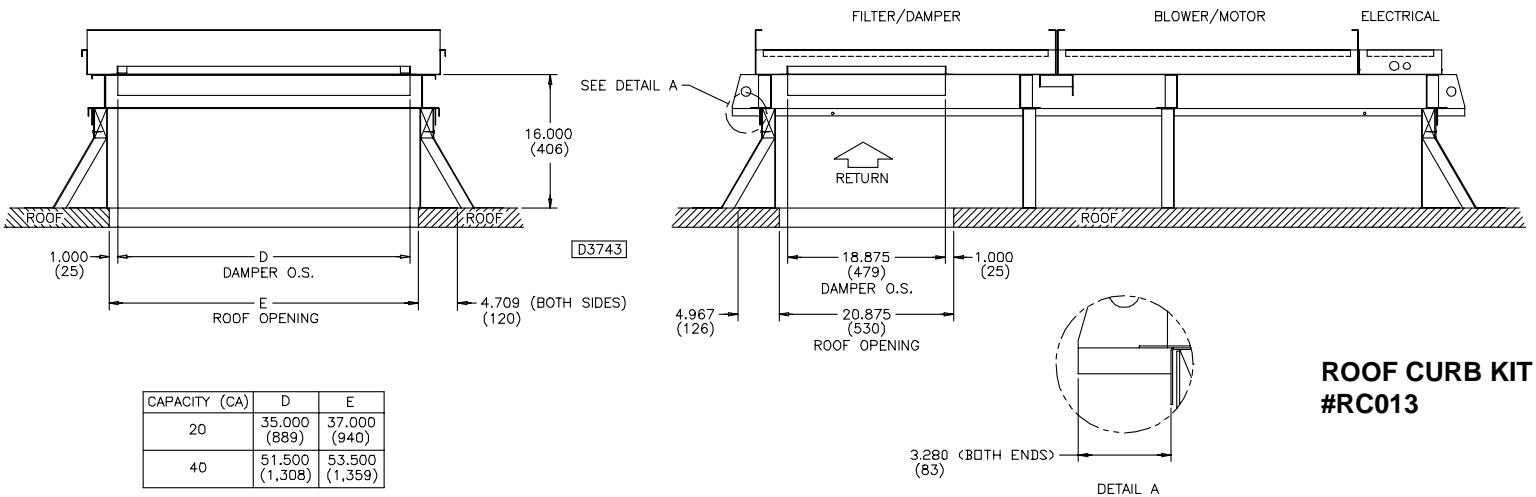
Approximate weights for Arrangement "S"			
Unit Type	Net Wt.	Ship Wt.	Add for
Capacity	(Lb.)	(Lb.)	Outside Air Hood
AH20	567	680	51
AH40	764	888	63

See motor spec #MDS-1 for motor weight/adder & amperage.

### Filter Data

Capacity	(Quantity) Filter Size
20	(8) 20 x 20
40	(12) 20 x 20

### Roof Openings



CAPACITY (CA)	D	E
20	35.000 (889)	37.000 (940)
40	51.500 (1,308)	53.500 (1,359)

**ROOF CURB KIT  
#RC013**

### MODEL NUMBER

	1	2	3	4	5	6	7	8	9	10	11	12	13	14	15	16	+
(EXX)	A	H	*	*	0	0	S										

\*DIGITS 3 & 4 = (CA) CAPACITY  
REFER TO CATALOG FOR MODEL NUMBER DESCRIPTION.



260 NORTH ELM ST. WESTFIELD, MA 01085  
(413) 568-9571 • FAX: (413) 562-5311

[www.sterlinghvac.com](http://www.sterlinghvac.com)  A MESTEK COMPANY