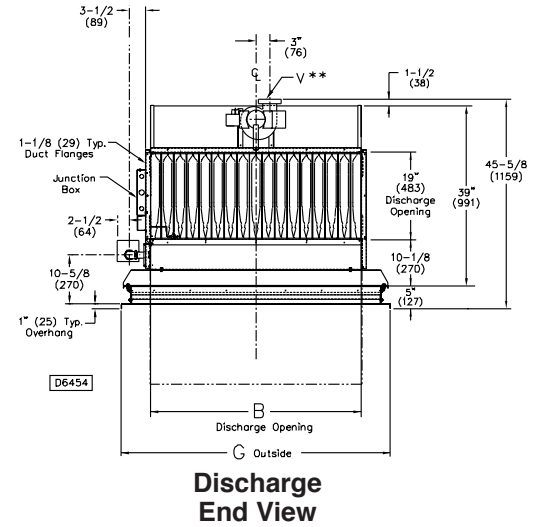
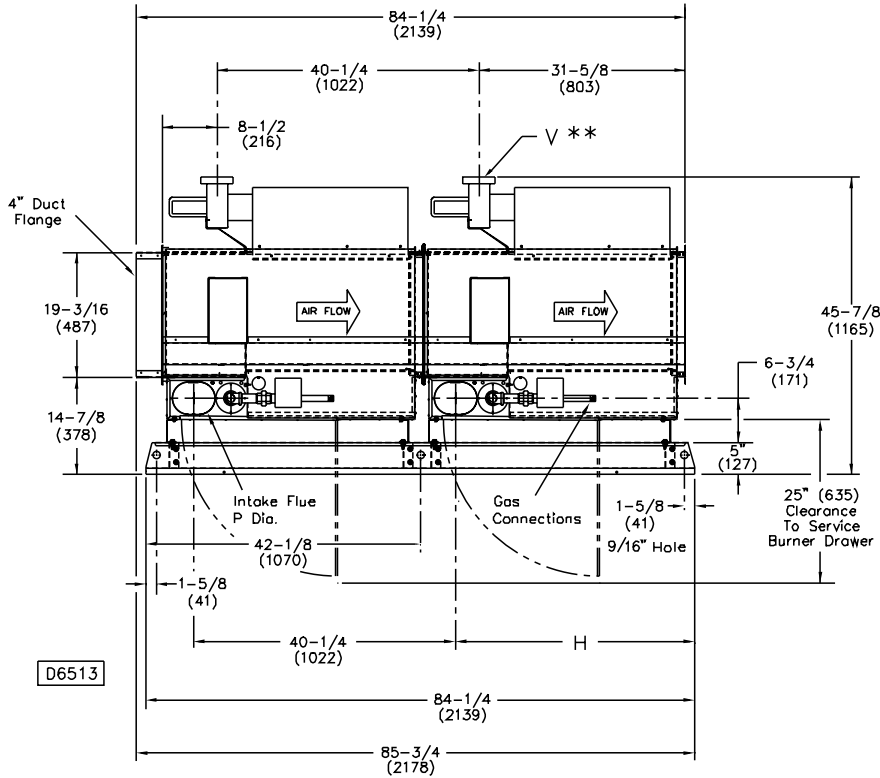


ENGINEERED PRODUCTS

Model - MS(50-80) (A, B)† A

Unit Type (UT) - MS, Separated Combustion Indoor Unit
Capacity (CA) - (50-80) (500-800 mBTU)
Furnace Type (FT) - A, B Standard Temperature Rise (30-80)F°
Indoor Arrangement (IA) - A, Duct Furnace



Capacity	A	B	C	D	G	H	L	U	P*	V Dia.**	GAS INLET	
											NAT	LP
□ 50	43- 7/8 (114)	29- 5/16 (745)	21- 15/16 (557)	24- 7/8 (632)	42- 1/16 (1068)	37- 7/16 (678)	N/A	N/A	5 RD (152)	5 (127)	3/4	1/2 OR 3/4
□ 60	54- 7/8 (1394)	34- 13/16 (884)	27- 7/16 (697)	30- 3/8 (772)	53- 1/16 (1348)	36- 11/16 (640)	N/A	N/A	6OV (152)	6 (152)	3/4	1/2 OR 3/4
□ 70	54- 7/8 (1394)	40-5/16 (1024)	27- 7/16 (697)	30- 3/8 (772)	53- 1/16 (1348)	36- 11/16 (640)	N/A	N/A	6 OV (152)	6 (152)	3/4	1/2 OR 3/4
□ 80	60- 3/8 (1534)	45- 13/16 (1164)	30- 3/16 (767)	33- 1/8 (841)	58- 9/16 (1487)	36- 11/16 (932)	181-1/4 (4604)	177 (4495)	6 OV (152)	6 (152)	3/4	1/2 OR 3/4

NOTE:
Dimensions are in inches, dimensions in parenthesis are in millimeters.
*RD = Round *OV = Oval
**The 5" to 6" flue adapter is supplied by the manufacturer.



260 NORTH ELM ST. WESTFIELD, MA 01085
(413) 564-5540 • FAX: (413) 562-5311
www.sterlinghvac.com A MESTEK COMPANY

Project: _____

Unit Tag: _____



MS(50-80) (A, B)† A Weights, Material & Performance Data

Unit Weights

Approximate weights for Arrangement "A"†		
Unit Type	Net Wt.†	Ship Wt.†
Capacity	(Lb.)	(Lb.)
MS50	795	952
MS60	914	1081
MS70	994	1161
MS80	1087	1259

Conversion 1 lb. = 0.453 kg.

†The approximate net and shipping weights shown are for a basic unit (these weights do not include any options).

†(FM) Furnace Construction Material

- 1 - Aluminized Steel
- 2 - 409 Stainless Steel (First Furnace Only)
- 3 - 409 Stainless Steel (All Furnace Sections)
- 4 - 321 Stainless Steel (First Furnace Only)
- 5 - 321 Stainless Steel (All Furnace Sections)
- 6 - 409 Stainless Steel Package (First Furnace Only)
- 7 - 409 Stainless Steel Package (All Furnace Sections)
- 8 - 321 Stainless Steel Package (First Furnace Only)
- 9 - 321 Stainless Steel Package (All Furnace Sections)
- 0 - None
- Z1 - Other

Performance Data

Unit Type MS Capacity 50-80 Furnace Type A,B INDOOR Arrangement "A"	INPUT RATING BTU/Hr (kW)	OUTPUT RATING BTU/Hr (kW)	EFF. %	Temp. Rise F. Deg. (C Deg.)		CFM		Pressure Drop In. of Water		Nat. Gas Inlet (in.)	L.P. Gas Inlet (in.)
				MIN.	MAX.	MIN.	MAX.	MIN.	MAX.		
50 A/B	500,000 (146.4)	400,000 (117.1)	80	60 (33)	160 (89)	2,315 (1.093)	6,173 (2.914)	0.28 (0.07)	1.28 (0.32)	3/4	1/2 OR 3/4
60 A/B	600,000 (175.7)	480,000 (140.6)	80	60 (33)	160 (89)	2,778 (1.311)	7,407 (3.496)	0.26 (0.06)	1.38 (0.34)	3/4	1/2 OR 3/4
70 A/B	700,000 (205.0)	560,000 (164.0)	80	60 (33)	160 (89)	3,241 (1.530)	8,642 (4.079)	0.26 (0.06)	1.37 (0.34)	3/4	1/2 OR 3/4
80 A/B	800,000 (234.3)	640,000 (187.4)	80	60 (33)	160 (89)	3,704 (1.748)	9,877 (4.662)	0.28 (0.07)	1.39 (0.35)	3/4	1/2 OR 3/4

MODEL NUMBER

	1	2	3	4	5	6	7	8	9	10	11	12	13	14	15	16	+
(MXX)	M	S	*	*	*	†	A										

DIGITS 3 & 4 = (CA) CAPACITY, DIGIT, 5 = (FT) FURNACE TYPE, DIGIT 6 =†(FM) FURNACE MATERIAL.
REFER TO CATALOG FOR MODEL NUMBER DESCRIPTION.