

ENGINEERED PRODUCTS

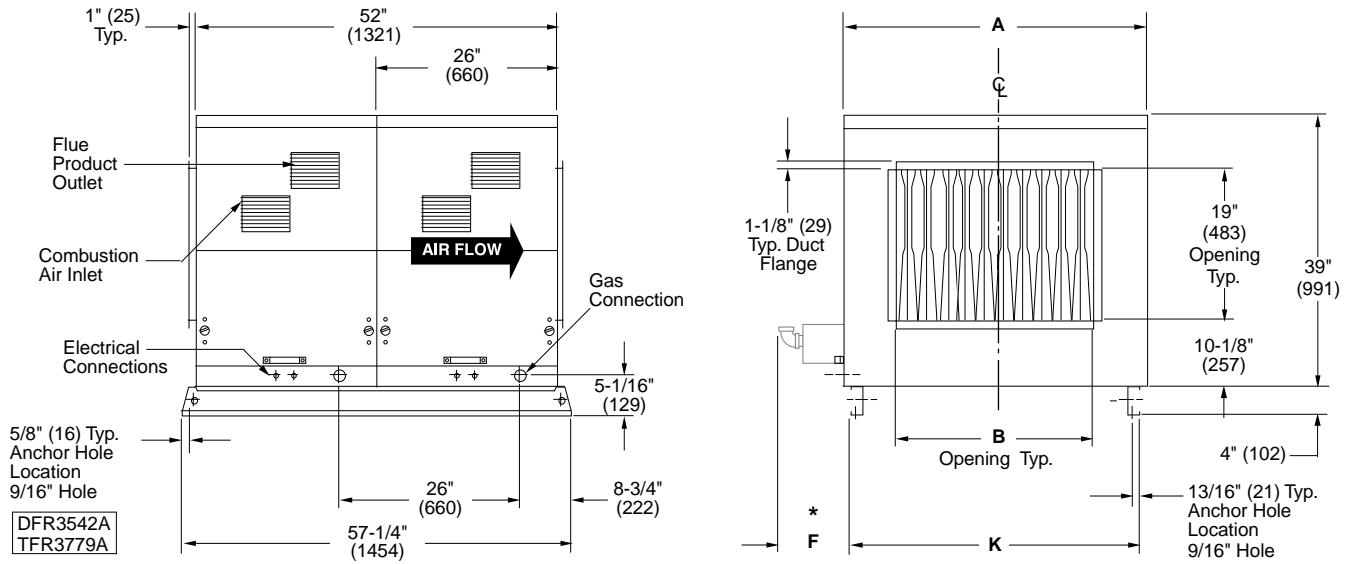
Model - PV(50-80) (A, B)† A

Unit Type (UT) - PV, Power Vented Rooftop Unit

Capacity (CA) - (50-80) (500-800 mBTU)

Furnace Type (FT) - A, B Standard Temperature Rise (20-60)F°

Rooftop Arrangement (RA) - A, Duct Furnace



Capacity (CA)	A	B	*F	K	GAS INLET	
					NAT	LP
<input type="checkbox"/> 50	43- 7/8 (1114)	29- 5/16 (745)	34- 1/2 (876)	41- 3/16 (1046)	3/4	1/2 OR 3/4
<input type="checkbox"/> 60	54- 7/8 (1394)	34-13/16 (884)	37- 1/4 (946)	52- 3/16 (1326)	3/4	1/2 OR 3/4
<input type="checkbox"/> 70	54- 7/8 (1394)	40- 5/16 (1024)	45- 1/2 (1156)	52- 3/16 (1326)	3/4	1/2 OR 3/4
<input type="checkbox"/> 80	60- 3/8 (1534)	45-13/16 (1164)	51 (1295)	57-11/16 (1465)	3/4	1/2 OR 3/4

NOTE:
DIMENSIONS ARE IN INCHES, DIMENSIONS IN PARENTHESIS ARE IN MILLIMETERS.
* "F" DIMENSION IS THE RECOMMENDED CLEARANCE TO SERVICE THE BURNER DRAWER(S).



260 NORTH ELM ST. WESTFIELD, MA 01085
(413) 564-5540 • FAX: (413) 562-5311
www.sterlinghvac.com  A MESTEK COMPANY

Project: _____

Unit Tag: _____



PV(50-80) (A, B)† A Weights, Material and Performance Data

Unit Weights

Approximate weights for Arrangement "A"†		
Unit Type	Net Wt.†	Ship Wt.†
Capacity	(Lb.)	(Lb.)
PV50	589	686
PV60	684	788
PV70	734	838
PV80	806	914

Conversion 1 lb. = 0.453 kg.

†The approximate net and shipping weights shown are for a basic unit (these weights do not include any options).

†(FM) Furnace Construction Material

- 1 - Aluminized Steel
- 2 - 409 Stainless Steel (First Furnace Only)
- 3 - 409 Stainless Steel (All Furnace Sections)
- 4 - 321 Stainless Steel (First Furnace Only)
- 5 - 321 Stainless Steel (All Furnace Sections)
- 6 - 409 Stainless Steel Package (First Furnace Only)
- 7 - 409 Stainless Steel Package (All Furnace Sections)
- 8 - 321 Stainless Steel Package (First Furnace Only)
- 9 - 321 Stainless Steel Package (All Furnace Sections)
- 0 - None
- Z1 - Other

Performance Data

Unit Type PV Capacity 50-80 Furnace Type A,B Rooftop Arrangement "A"	INPUT RATING BTU/Hr (kW)	OUTPUT RATING BTU/Hr (kW)	EFF. %	Temp. Rise F. Deg. (C Deg.)		CFM		Pressure Drop In. of Water		Nat. Gas Inlet (in.)	L.P. Gas Inlet (in.)
				MIN.	MAX.	MIN.	MAX.	MIN.	MAX.		
50 A/B	500,000 (146.4)	400,000 (117.1)	80	40 (22)	120 (67)	3,086 (1.457)	9,269 (4.375)	0.30 (0.07)	2.16 (0.54)	3/4	1/2 OR 3/4
60 A/B	600,000 (175.7)	480,000 (140.6)	80	40 (22)	120 (67)	3,704 (1.748)	11,111 (5.244)	0.30 (0.07)	2.20 (0.55)	3/4	1/2 OR 3/4
70 A/B	700,000 (205.0)	560,000 (164.0)	80	40 (22)	120 (67)	4,321 (2.040)	12,963 (6.119)	0.30 (0.07)	2.22 (0.55)	3/4	1/2 OR 3/4
80 A/B	800,000 (234.3)	640,000 (187.4)	80	40 (22)	120 (67)	4,938 (2.331)	14,815 (6.993)	0.30 (0.07)	2.24 (0.56)	3/4	1/2 OR 3/4

MODEL NUMBER

	1	2	3	4	5	6	7	8	9	10	11	12	13	14	15	16	+
(EXX)	P	V	*	*	*	†	A										

DIGITS 3 & 4 = (CA) CAPACITY, DIGIT, 5 = (FT) FURNACE TYPE, DIGIT 6 =†(FM) FURNACE MATERIAL.
REFER TO CATALOG FOR MODEL NUMBER DESCRIPTION.