

# ENGINEERED PRODUCTS

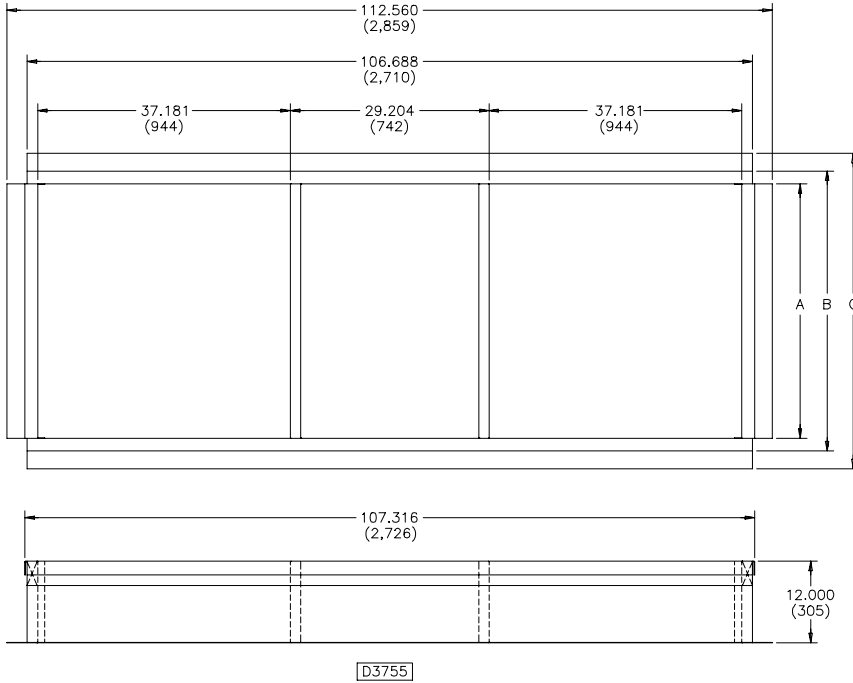
## Roof Curb Kit - RC006 (-2, -3, -4)

For use with:

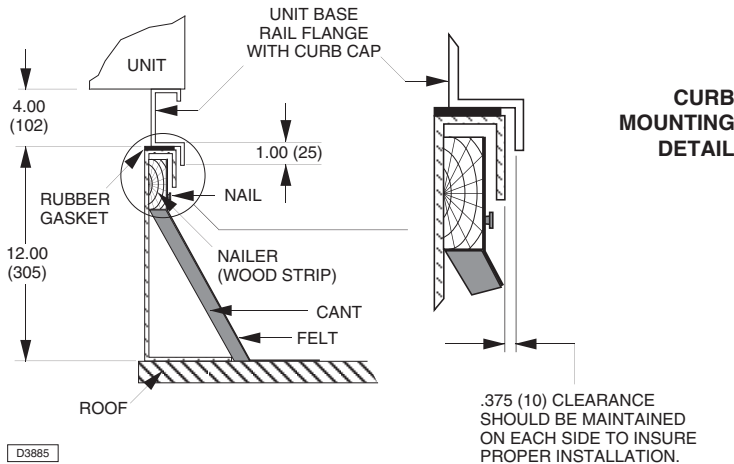
Rooftop Arrangement (RA) - G, Capacities (CA) - 20/40

Rooftop Arrangement (RA) - T, Capacities (CA) - 20 or 40

Rooftop Arrangement (RA) - U, Capacities (CA) - 20 or 40



DIMENSIONS ARE IN INCHES  
 DIMENSIONS IN ( ) ARE IN MILLIMETERS  
 THEORETICAL DIMENSIONS GIVEN; ACTUAL DIMENSIONS MAY VARY WITHIN .125 IN. (3 MM)



### Approximate Curb Kit Shipping Weight

RC006-	Capacity (CA)	Weight (lbs.)
-1	NA	NA
-2	20/25	179
-3	30/35	197
-4	40	207

1 lb. = 0.453 kg

CAPACITY (CA)	A	B	C
20/25	37.425 (951)	41.175 (1,046)	46.383 (1,178)
30/35	48.425 (1,230)	52.175 (1,325)	57.383 (1,457)
40	53.925 (1,370)	57.675 (1,465)	62.883 (1,597)

Roof Curb kits ship dis-assembled for ease of handling and storage. All kits ship complete with mounting hardware (for unit to curb), insulation, gasketing, sealant and installation instructions for field mounting.

Provide a suitable opening, or two openings, in the roof as suggested in the individual arrangement drawings, for the supply and/or return air ducts. The installer may determine his own openings to accept supply and/or return air ducts to suit his particular needs. He must also ensure that the installation will not impair the function of the curb or the unit.

All roof curbs are to be mounted on level areas (it may have to be shimmed or built up if necessary). The roof must be suitable to support the weight of both the curb and the unit to be mounted. Refer to the installation instructions for further mounting/installation requirements.

All seams and joints must be sealed completely prior to and after installation to prevent any water or air leakage/damage.

Once the unit has been properly mounted, remove (if necessary) the service panels from the return air and supply air compartments. Attach the ductwork to the lips provided in the bottom panels of these compartments, and seal these seams. See the individual sectional drawings in this submittal for further details.



260 NORTH ELM ST. WESTFIELD, MA 01085  
 (413) 564-5540 • FAX: (413) 562-5311

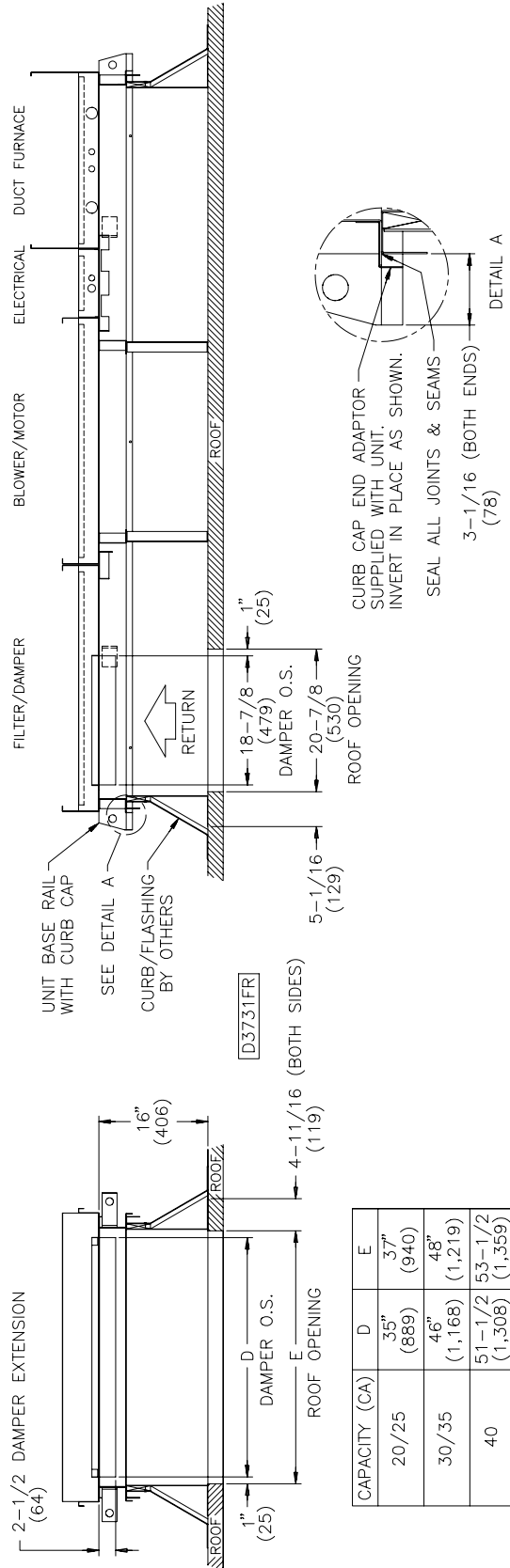
www.sterlinghvac.com  A MESTEK COMPANY

Project: \_\_\_\_\_

Unit Tag: \_\_\_\_\_

## Roof Curb Kit Application

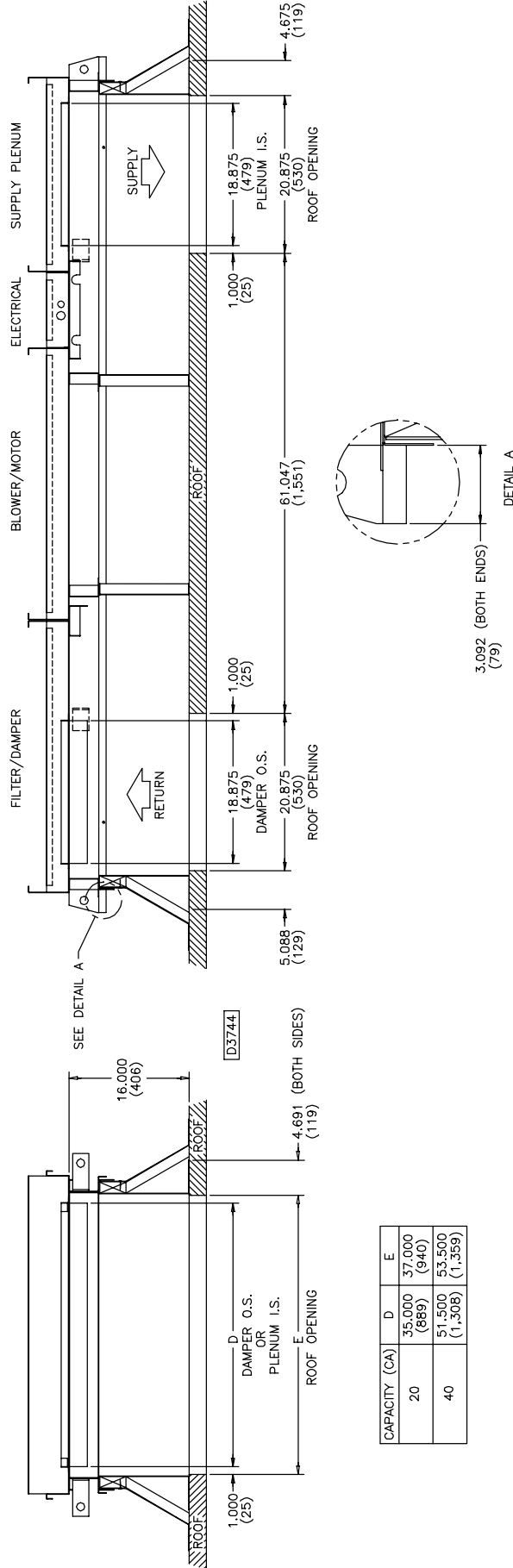
Roof Arrangement (RA) - G, Capacities (CA) - 20/40  
 Use Kit #RC006 (-2, -3, -4)



CAPACITY (CA)	D	E
20/25	35" (889)	37" (940)
30/35	46" (1,168)	48" (1,219)
40	51-1/2" (1,308)	53-1/2" (1,359)

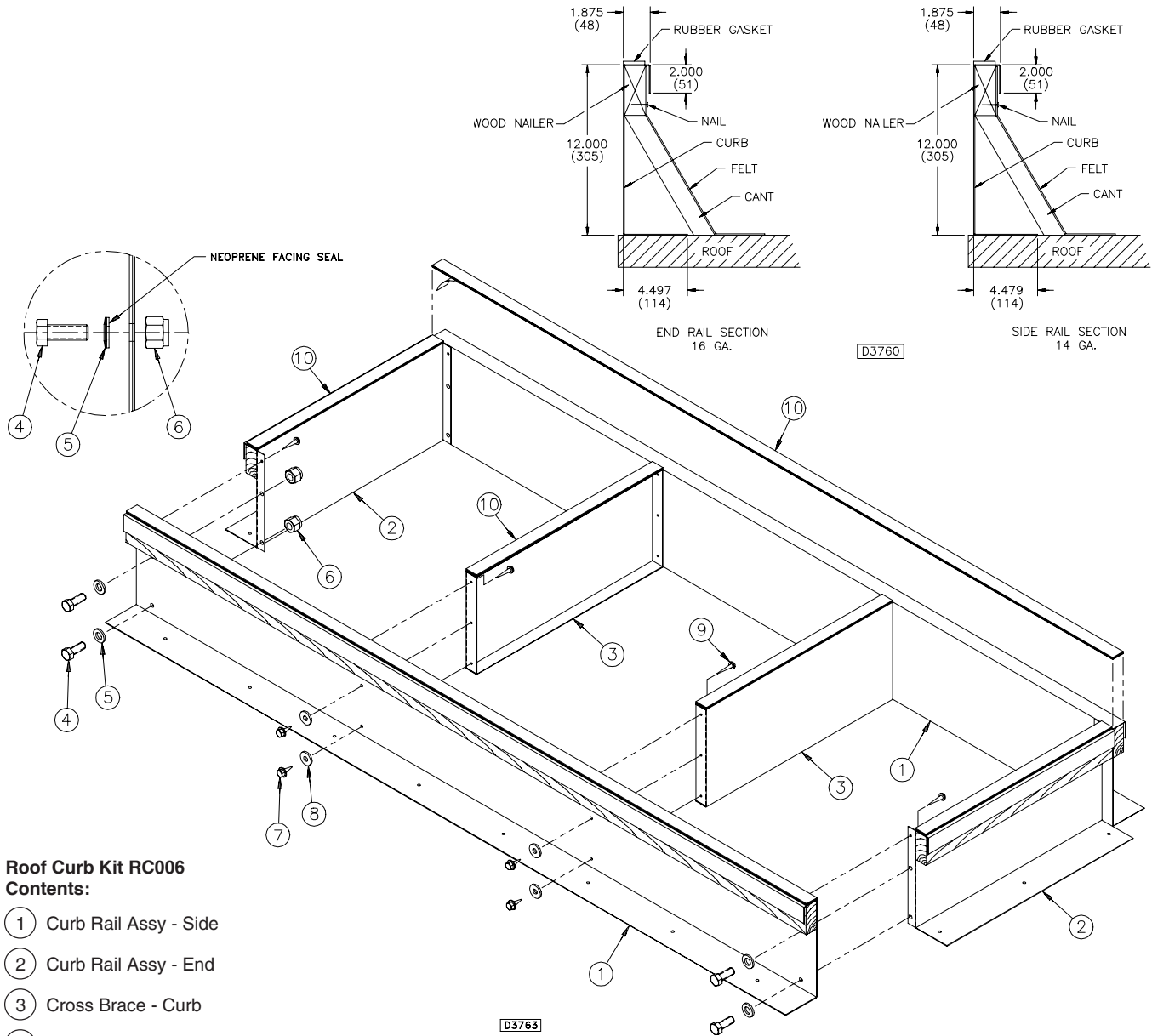
## Roof Curb Kit Application

Rooftop Arrangement (RA) - T & U Capacities (CA) - 20 or 40  
Use Kit #RC006 (-2 or -4)



CAPACITY (CA)	D	E
20	35.000 (889)	37.000 (940)
40	51.500 (1,308)	53.500 (1,359)

## Roof Curb Kit Assembly\*



### Roof Curb Kit RC006

#### Contents:

- ① Curb Rail Assy - Side
- ② Curb Rail Assy - End
- ③ Cross Brace - Curb
- ④ Bolt - 3/8-16 x 1" LG. Hex HD. (8) required
- ⑤ 3/8 Neoprene Seal Washer (8) required
- ⑥ 3/8-16 Hex Nyloc Nut (8) required
- ⑦ 1/4-14 x 5/8 LG. Hex Washer HD. Sheet Metal Screw Type "AB" (8) required
- ⑧ 1/4 Neoprene Seal Washer (8) required
- ⑨ Screw - #10 x 1" LG. Pan HD. Type "BP" (8) required
- ⑩ Gasket

(4) Mounting Screws (curb to unit)

Sealant Tube(s)

Installation Instructions

**\*All seams/joints must be sealed completely!**