

INSTALLATION INSTRUCTIONS

CONDENSATE TRAP ASSEMBLY

HIGH EFFICIENCY GAS-FIRED UNIT HEATERS

CAUTION! – The condensate trap provided with the unit must be installed. The condensate trap is designed to provide backpressure for the correct operation of the unit. Do not use a traditional plumbing “P” trap. Refer to the unit installation manual for additional information.

Figure 1

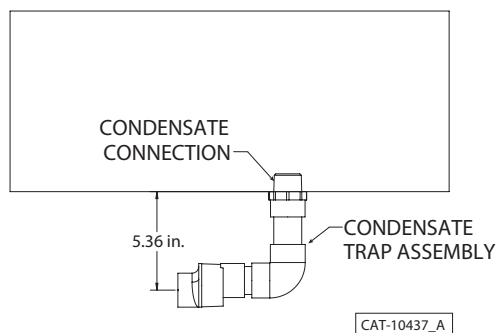
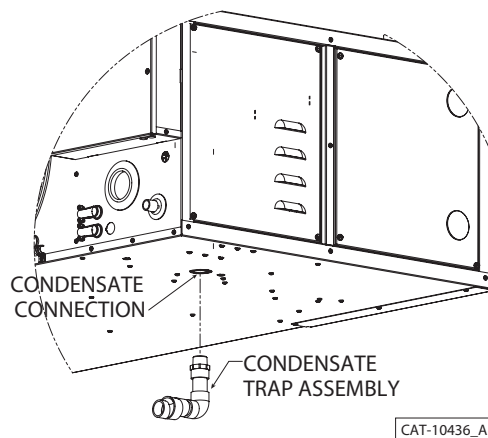


Figure 2



Condensate Trap Assembly Installation:

1. Remove condensate caution label from condensate connection on bottom of unit.
2. Apply field supplied thread sealant to male threads of condensate trap assembly.

WARNING: Do not use thread sealing tape in lieu of thread sealant. Parts of the thread sealing tape may break off and prevent the condensate trap from operating properly. This could result in flue gas entering the condensate pipe or nuisance trips.

3. Screw condensate trap assembly into condensate connection.
4. Connect the bottom of the condensate trap assembly to the rest of the condensate drain system.

Notice: Condensate drain system should be pitched away from the unit towards the condensate drain. If not possible due to space requirements, a condensate pump can be used to mechanically assist with condensate drainage. Condensate pipe should be sized based on the total volume of condensate that may flow through it (this includes the total volume of all units if multiple units are that are connected to single condensate drain system).

Notice: Condensate is acidic refer to local plumbing and mechanical codes for proper neutralizer and disposal requirements.

5. Check for leaks when unit is operating and producing condensate.

Optional condensate pump, pump-shelf, and condensate neutralizers are available and should be installed per their separate corresponding installation manuals.