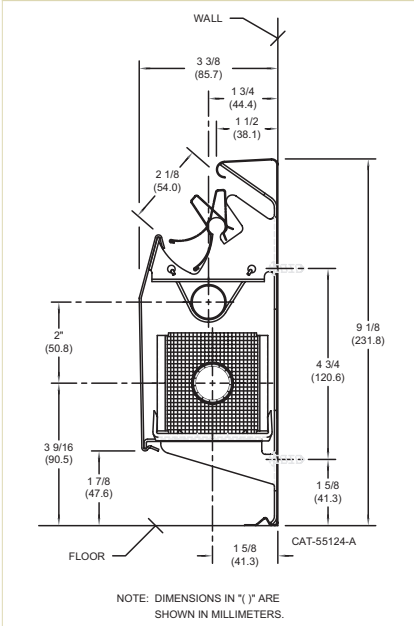


HEATRIM PLUS

HIGH CAPACITY BASEBOARD RADIATION



DIMENSIONAL DATA



Ratings

| MODEL | GPM | AVERAGE HOT WATER TEMPERATURE - BTU/HR./LIN. FT. | | | | | | |
|----------|-----|--|-------|-------|-------|-------|-------|-------|
| | | 120°F | 130°F | 140°F | 150°F | 160°F | 170°F | 180°F |
| HTP 3/4" | 4 | 308 | 386 | 470 | 560 | 650 | 750 | 850 |
| | 1 | 292 | 366 | 445 | 530 | 620 | 710 | 800 |
| HTP 1/2" | 4 | 297 | 373 | 454 | 540 | 630 | 730 | 820 |
| | 1 | 281 | 352 | 428 | 510 | 600 | 690 | 780 |

Correction Factors

If the calculated water flow rate through a baseboard is greater than the standard flow rate (1 GPM), the rating of that unit may be increased by multiplying the standard water rating at 1 GPM by the factor shown for the actual flow rate. All ratings based on 65°F entering air temperature.

| G.P.M. | HEAT OUTPUT FACTOR | PRES. DROP. 3/4" ELEMENT (Millinches/Ft.) | 1" ELEMENT (Millinches/Ft.) | G.P.M. | HEAT OUTPUT FACTOR | PRES. DROP. 3/4" ELEMENT (Millinches/Ft.) | 1" ELEMENT (Millinches/Ft.) |
|--------|--------------------|---|-----------------------------|--------|--------------------|---|-----------------------------|
| 1.0 | 1.000 | 47 | 13 | 3.5 | 1.051 | 420 | 114 |
| 1.5 | 1.016 | 96 | 26 | 4.0 | 1.057 | 525 | 145 |
| 2.0 | 1.028 | 157 | 43 | 4.5 | 1.062 | 650 | 178 |
| 2.5 | 1.038 | 230 | 63 | 5.0 | 1.067 | 775 | 216 |
| 3.0 | 1.045 | 320 | 87 | 6.0 | 1.074 | 1060 | 290 |

Packaging

| COMPLETE UNIT (3/4" TUBE) | COMPLETE UNIT (1" TUBE) | ENCLOSURE ONLY | ELEMENT ONLY (3/4" TUBE) | ELEMENT ONLY (1" TUBE) | LENGTH | NO. OF ELEMENT BRACKETS |
|---------------------------|-------------------------|----------------|--------------------------|------------------------|--------|-------------------------|
| HTPCU75-8 | HTPCU100-8 | HTPCO-8 | HTP-E75-8 | HTP-E100-8 | 8' | 4 |
| HTPCU75-7 | HTPCU100-7 | HTPCO-7 | HTP-E75-7 | HTP-E100-7 | 7' | 3 |
| HTPCU75-6 | HTPCU100-6 | HTPCO-6 | HTP-E75-6 | HTP-E100-6 | 6' | 3 |
| HTPCU75-5 | HTPCU100-5 | HTPCO-5 | HTP-E75-5 | HTP-E100-5 | 5' | 3 |
| HTPCU75-4 | HTPCU100-4 | HTPCO-4 | HTP-E75-4 | HTP-E100-4 | 4' | 2 |
| HTPCU75-3 | HTPCU100-3 | HTPCO-3 | HTP-E75-3 | HTP-E100-3 | 3' | 2 |
| HTPCU75-2 | HTPCU100-2 | HTPCO-2 | HTP-E75-2 | HTP-E100-2 | 2' | 2 |

Standard assembly includes one length each of back panel, front panel, damper, 3/4" or 1" element, plus required support brackets and element slide cradles. Joining piece set included with lengths of 5', 6' and 8' assemblies.

Standard Accessories

| CATALOG NUMBER | DESCRIPTION | QTY. |
|----------------|--------------------------------|------|
| HTP-REC | 4" Hinged End Cap, Right | 12 |
| HTP-LEC | 4" Hinged End Cap, Left | 12 |
| HTP-3REC | 3" Solid End Cap, Right | 10 |
| HTP-3LEC | 3" Solid End Cap, Left | 10 |
| HTP-4REC | 4" Solid End Cap, Right | 8 |
| HTP-4LEC | 4" Solid End Cap, Left | 8 |
| HTP-IC | 90° Inside Corner | 12 |
| HTP-ICB | 135° Inside Corner | AO |
| HTP-OC | 90° Outside Corner | 10 |
| HTP-OCB | 135° Outside Corner | AO |
| HTP-WJ | 4" Wall Trim to Floor | 12 |
| HTP-PJ3 | 2" Panel Joiner (3 pcs.) | 12 |
| HTP-FIS | 14" Filler Piece Set (3 pcs.) | AO |
| HTP-STH | Supply Tubing Lower Hanger | AO |
| HTP-RTH | Supply Tubing Upper Hanger | AO |
| HTP-BR | Support Bracket & Nylon Cradle | AO |
| HTP-TUP | Touch-Up Spray Paint | 6 |
| HTP-ESC | Element Slide Cradle | 12 |

NOTE: AO= Quantity as Ordered

Accessories

