



# Kickster Undercounter Fan Coil Installation and Operation Manual Model K3-J / K4-J



## Installation:

- Kickster fan coil space heaters are suitable for connection to hot water supply at any pressure up to 300 psi with a maximum water temperature not exceeding 200°F.
- Building codes and plumbing regulations may vary. Check local codes and regulations before determining proper application and installation.
- Cut an access panel at least 13 1/2" x 16" under the bottom shelf. Starting at the right edge of the selected location cut an opening in the toe-space riser at least 4 3/8" x 16". (See figure 1 & 2 for pipe location and unit dimensions)
- Lift the Kickster out through the access door and sweat on fittings.

Figure 1 - K3-J/K4-J Front and Top View

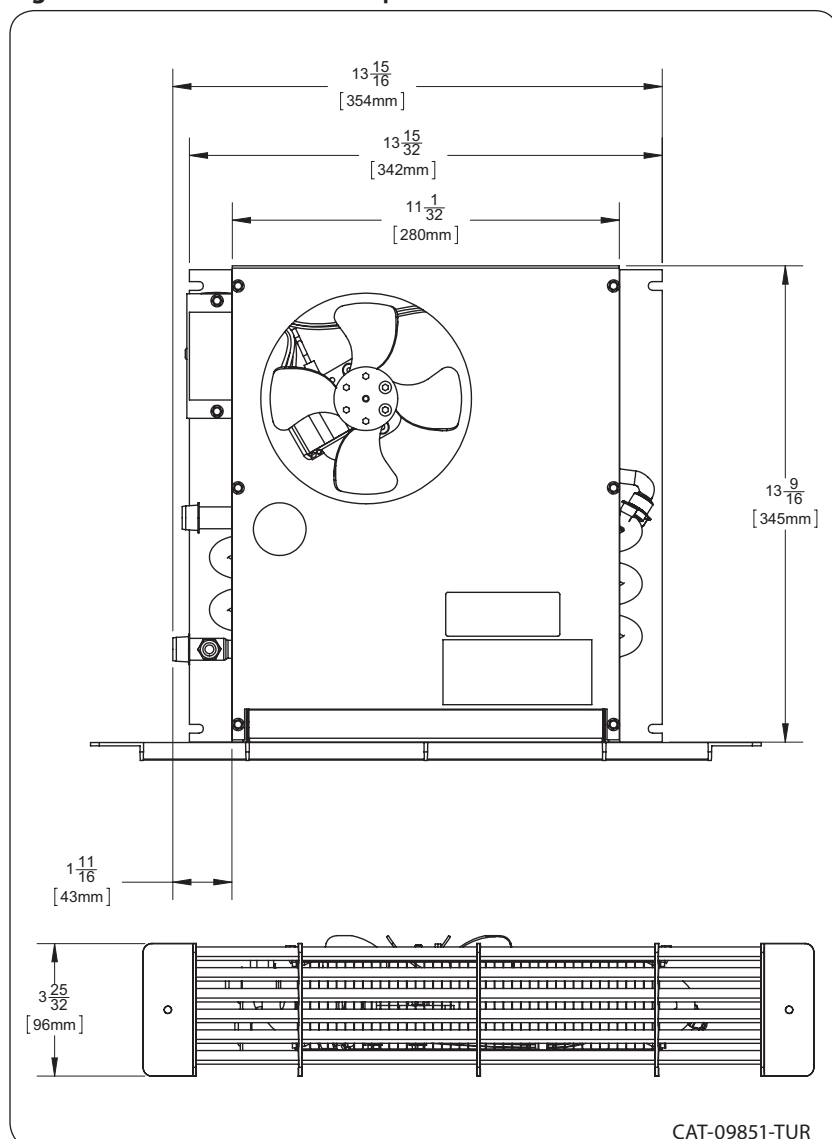
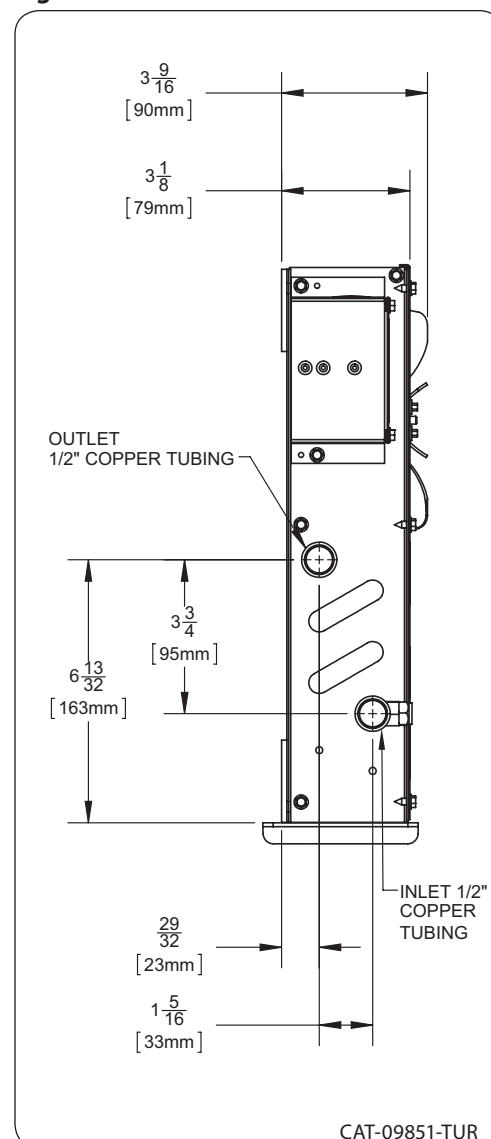


Figure 2 - K3-J/K4-J Side View



**Piping:**

- The piping to the unit will usually be copper or any other locally approved piping. Accessible 1/2" sweat fittings are provided on the unit itself. An optional flexible stainless steel connector kit with shut-off valves is available for connecting the unit to any type of piping system and can be used with an optional valve control box or valve control pack.
- All piping systems should be designed by a technician with experience in the various piping arrangements that work with this type of unit.
- As with any system employing circulated water, the pipes passing through unheated spaces should be insulated.

**Note: When using mono-flo or "venturi" fittings, we suggest placement of a ball valve just after the supply take-off and before the return is connected.**

**Piping: Hot Water Boiler**


- The unit supply line should be taken from the boiler side beyond any flo-control valve. If the system being used is a gravity-flow or cast-iron hot water system, a separate circuit must be installed.

**Piping: Water Heater**

- To install correctly, a technician with knowledge of piping arrangements and back-flo valves must design the piping system.

**Wiring the Unit**

- A field wiring connection is provided on the unit (see Figure 3). Connect wires at this point only. Units are factory wired on Lo Speed, see Figure 3 to wire for High Speed.
- The unit is manufactured with a built-in factory wired aquastat with a set point of 140°F on and 110°F off. The aquastat may be disabled in the field if not required (see application manuals).



**⚠ WARNING**

**HAZARDOUS VOLTAGE! DISCONNECT ALL ELECTRIC POWER INCLUDING REMOTE DISCONNECTS BEFORE SERVICING. Failure to disconnect power before servicing can cause severe personal injury or death.**

**Figure 3 - Wiring Diagram K3-J/K4-J**

