

DURAVANE II

Submittal

JDVP31 / 32
DuraVane II Architectural
Copper/Aluminum and
Steel Elements

Specification

JDVP31 Pedestal Enclosure

ENCLOSURE:

STYLE: DuraVane II Pedestal
OUTLET: Extruded Aluminum Grille
Pencil Proof

LENGTHS: 2' thru 8' in 6" Increments

MAT'L: 16 Ga. CRS STD.
 14 Ga. CRS (Opt'l)

FINISH Baked Enamel Std.
 16 Ga. Stainless Steel (Opt'l)
 14 Ga. Stainless Steel (Opt'l)
 14 Ga. Aluminum (Opt'l)
 12 Ga. Aluminum (Opt'l)

ACCESSORIES:

JDV Overlapping Type

All accessories have finger tabs at the bottom for easy installation.

ELEMENT:

TYPE: Cu/Al (Mechanically Expanded)

LENGTHS: 2'0" thru 12'6" in 1" Increments for 1" & 1-1/4" Cu.
2' thru 8' in 1" Increments for 3/4" Cu.

One End Flared, Std.

TYPE: IPS Steel (Mechanically Expanded)

LENGTHS: 2'0" thru 12'6" in 1" Increments
 NPT Thread both Ends Std.
 Beveled Ends for Field Weld
See Catalog for Working Pressures

JDVP32 Pedestal Enclosure

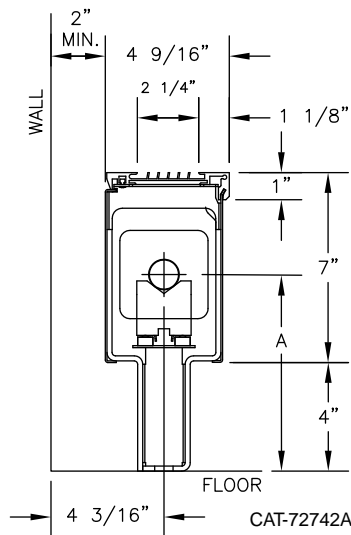
BACKPLATE: Not Applicable

BRACKETS:

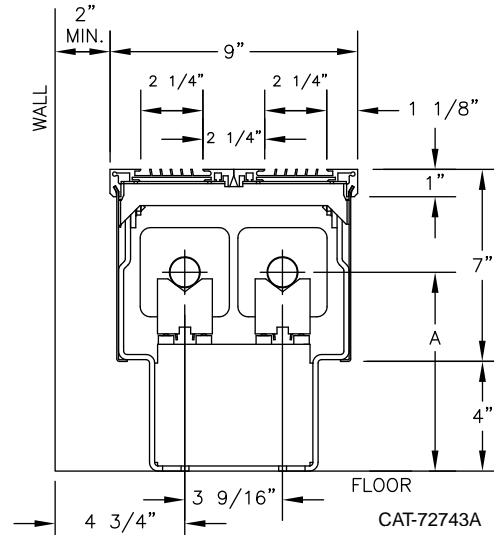
Pedestal Brk't w/ B.B. (Std.)
 Adjustable Pedestal Brk't w/B.B. with Alum Base (Opt'l.)

ELEMENT TUBE SIZE	CRADLE NO.	A
3/4" COPPER	2	7 1/16"
1" COPPER	2	7 1/4"
1 1/4" COPPER	2	7 3/8"
1 1/4" STEEL	1	7 9/16"

JDVP31



JDVP32



Vulcan
R A D I A T O R

260 North Elm St., Westfield, MA 01085
(413) 568-9571 Fax: (413) 564-5661
www.vulcanrad.com



01/11

PROJECT: _____ DATE: _____

LOCATION: _____

ARCHITECT: _____

ENGINEER: _____

CONTRACTOR: _____

PO NUMBER: _____

STYLES JDVP31 & JDVP32 DURAVANE II PEDESTAL ENCLOSURES

COPPER/ALUMINUM ELEMENT					ENCLOSURE DEPTH IN INCHES	ENCLOSURE HEIGHT IN INCHES	TIERS AND CENTERS IN INCHES	MTG. HEIGHT IN INCHES	STEAM 215° FACTOR	Hot Water (AVG.)					
TUBE SIZE	CATALOG DESIGNATION	FIN SIZE IN INCHES	FIN/FT	FIN THICKNESS						Factor					
										200°	190°	180°	170°	160°	150°
3/4"	VC3/4-33	3-1/4" SQ.	32	0.020"	4-9/16	7	1	11	990	850	770	680	600	520	450
					9	"	2-W	"	1360	1170	1060	940	830	720	610
3/4"	VC3/4-34	3-1/4" SQ.	40	0.020"	4-9/16	7	1	11	1160	1000	900	800	710	610	520
					9	"	2-W	"	1690	1450	1320	1170	1030	900	760
3/4"	VC3/4-35	3-1/4" SQ.	50	0.020"	4-9/16	7	1	11	1260	1080	980	870	770	670	570
					9	"	2-W	"	1730	1490	1350	1190	1060	920	780
1"	VC33	3-1/4" SQ.	32	0.020"	4-9/16	7	1	11	990	850	770	680	600	520	450
					9	"	2-W	"	1360	1170	1060	940	830	720	610
1"	VC34	3-1/4" SQ.	40	0.020"	4-9/16	7	1	11	1200	1030	940	830	730	640	540
					9	"	2-W	"	1650	1420	1290	1140	1010	870	740
1"	VC35	3-1/4" SQ.	50	0.020"	4-9/16	7	1	11	1230	1060	960	850	750	650	550
					9	"	2-W	"	1690	1450	1320	1170	1030	900	760
1-1/4"	VC133	3-1/4" SQ.	32	0.020"	4-9/16	7	1	11	990	850	770	680	600	520	450
					9	"	2-W	"	1360	1170	1060	940	830	720	610
1-1/4"	VC134	3-1/4" SQ.	40	0.020"	4-9/16	7	1	11	1080	930	840	750	660	570	490
					9	"	2-W	"	1490	1280	1160	1030	910	790	670
1-1/4"	VC135	3-1/4" SQ.	50	0.020"	4-9/16	7	1	11	1190	1020	930	820	730	630	540
					9	"	2-W	"	1640	1410	1280	1130	1000	870	740

NOTES: 1. To determine rating with 65°F EAT divide the selected rating ~~and divide~~ by 1.20.

Ratings based on 47°F EAT.

STYLES JDVP31 & JDVP32 DURAVANE II PEDESTAL ENCLOSURES

STEEL ELEMENT					ENCLOSURE DEPTH IN INCHES	ENCLOSURE HEIGHT IN INCHES	TIERS AND CENTERS IN INCHES	MTG. HEIGHT IN INCHES	STEAM 215° FACTOR	Hot Water (AVG.)					
I.P.S. SIZE	CATALOG DESIGNATION	FIN SIZE IN INCHES	FIN/FT	FIN THICKNESS						Factor					
										200°	190°	180°	170°	160°	150°
1-1/4"	VS133	3-1/4" SQ.	32	0.032"	4-9/16	7	1	11	920	790	720	630	560	490	410
					9	"	2-W	"	1270	1090	990	880	770	670	570
1-1/4"	VS134	3-1/4" SQ.	40	0.032"	4-9/16	7	1	11	1020	880	800	700	620	540	460
					9	"	2-W	"	1400	1200	1090	970	850	740	630

NOTES: 1. To determine ratings with 65°F EAT divide the selected rating ~~and divide~~ by 1.20.

2. Steel fin furnished as .032 unless otherwise specified, consult factory.

3. NPT threads furnished on steel elements. Please use domestic fittings for proper installation.

4. Ratings based on typical window wall installation.

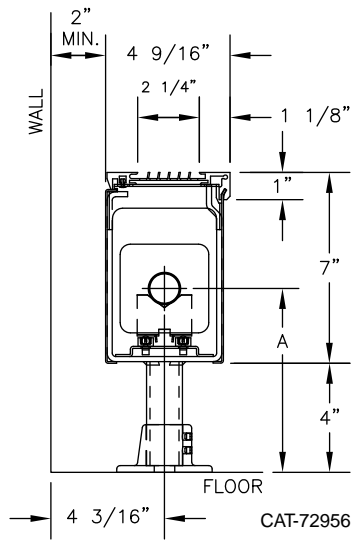
Ratings based on 47°F EAT.

Optional Adjustable Pedestal Bracket Assembly with Aluminum Floor Flange

ELEMENT TUBE SIZE	CRADLE NO.	A
3/4" COPPER	2	7 1/16"
1" COPPER	2	7 1/4"
1 1/4" COPPER	2	7 3/8"
1 1/4" STEEL	1	7 9/16"

□ JDVP31

□ Adjustable Pedestal Brk't



□ JDVP32

□ Adjustable Pedestal Brk't

