

CLASSIC

Submittal

JV4-ARS14, 20 & 24
Classic Architectural
Copper/Aluminum and
Steel Elements

Specification

JV4 Slip Jointed Enclosure

ENCLOSURE:

- STYLE: Classic Slope
 OUTLET: Extruded Aluminum Pencil Proof
- LENGTHS: 2'0" thru 8'0" in 6" Increments
 MAT'L: 16 Ga. CRS (Std)
 14 Ga. CRS (Opt'l)
 16 Ga. Stainless Steel (Opt'l)
 14 Ga. Stainless Steel (Opt'l)
 14 Ga. Aluminum (Opt'l)
 12 Ga. Aluminum (Opt'l)
- HEIGHT: 14"
 20"
 24"
- FINISH: Baked Powder (Std)
 Baked Metallic

ACCESSORIES:

All Accessories are Overlapping Type
 All accessories return to the wall at the bottom and have pre-punched holes for fastening to the wall

ELEMENT:

- TYPE: Cu/Al (Mechanically Expanded)
 LENGTHS: 2'0" thru 12'6" in 1" Increments for 1" & 1-1/4" Cu.
 2'0" thru 8'0" in 1" Increments for 3/4" Cu
- One End Flared, (Std)
- TYPE: IPS Steel (Mechanically Expanded)
 LENGTHS: 2'0" Thru 12'0" in 1" Increments
 NPT Thread Both Ends (Std)
 Beveled Ends for Field Weld
- See Catalog for Working Pressures

BACKPLATE:

- TYPE: Partial B/P
 LENGTHS: 8'0" Only
 MAT'L: 20 Ga. Prepainted (Std)
 18 Ga. Galvannealed (Opt'l)
- TYPE: Full Ht. B/P (Opt'l)
 LENGTHS: 2'0" thru 8'0" in 6" Increments
 MAT'L: 20 Ga. Galvannealed (Opt'l)
 20 Ga. Painted (Opt'l)
 18 Ga. Painted (Opt'l)

AIRSEAL:

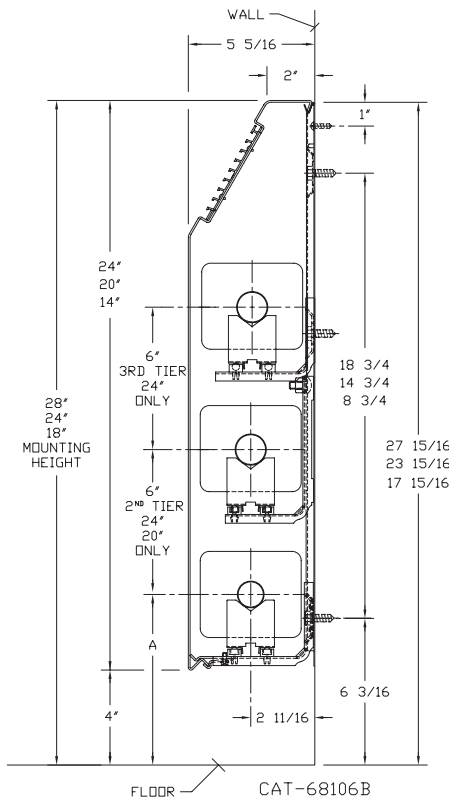
- 1/8" x 3/8" Closed Cell (Opt'l)

BRACKETS:

- Water Brkt w/B.B.
 Steam Brkt w/Brkt Mtd B.B. Hgr
 Wall Brkt w/B.B. Hgr (For 3rd Tier)

DAMPER: Not Available

JV4-ARS14, 20 & 24



ELEMENT TUBE SIZE	FIN SIZE HEIGHT x WIDTH	CRADLE NUMBER	A
3/4 COPPER	3 5/8 x 4 1/4	2	7"
3/4 COPPER	4 1/4 x 4 1/4	3A	7 3/8"
1" COPPER	3 5/8 x 4 1/4	2	7 3/16"
1" COPPER	4 1/4 x 4 1/4	2	7 3/16"
1 1/4 COPPER	3 5/8 x 4 1/4	2	7 5/16"
1 1/4 COPPER	4 1/4 x 4 1/4	2	7 5/16"
1" STEEL	4 1/4 x 4 1/4	2	7 5/16"
1 1/4 STEEL	4 1/4 x 4 1/4	2	7 1/2"
2" STEEL	4 1/4 x 4 1/4	1	7 1/4"



260 North Elm St., Westfield, MA 01085
 (413) 568-9571 Fax: (413) 564-5661
 www.vulcanrad.com



PROJECT: _____ DATE: _____
 LOCATION: _____
 ARCHITECT: _____
 ENGINEER: _____
 CONTRACTOR: _____
 PO NUMBER: _____

STYLE JV4-ARS14, 20 & 24

COPPER/ALUMINUM ELEMENT RATINGS

ALL RATINGS ARE BASED ON 3 FPS WATER VELOCITY, 65° EAT.

TUBE SIZE	CATALOG DESIGNATION	FIN SIZE HEIGHT X WIDTH	FIN PER FT.	FIN THICKNESS	ENCL. HEIGHT	TIERS AND CENTERS	MTG. HEIGHT	STEAM RATING 215°F, 65°F E. A. T. BTU/FT/HR	HOT WATER RATINGS BTU/FT/HR AWT						
									180°	170°	160°	150°	140°	130°	120°
									0.69	0.61	0.53	0.45	.40	.33	.26
3/4"	VC3/4-433	3-5/8" x 4-1/4"	32	.020	14"	1	18"	1520	1050	930	810	680	610	500	400
					20"	1	24"	1600	1100	980	850	720	640	530	420
					20"	2-6CL	24"	2480	1710	1510	1310	1120	990	820	640
					24"	1	28"	1670	1150	1020	890	750	670	550	430
					24"	2-6CL	28"	2570	1770	1570	1360	1160	1030	850	670
					24"	3-6CL	28"	2960	2040	1810	1570	1330	1180	980	770
3/4"	VC3/4-434	3-5/8" x 4-1/4"	40	.020	14"	1	18"	1700	1170	1040	900	770	680	560	440
					20"	1	24"	1820	1260	1110	960	820	730	600	470
					20"	2-6 CL	24"	2580	1780	1570	1370	1160	1030	850	670
					24"	1	28"	1910	1320	1170	1010	860	760	630	500
					24"	2-6 CL	28"	2700	1860	1650	1430	1220	1080	890	700
					24"	3-6 CL	28"	3080	2130	1880	1630	1390	1230	1020	800
3/4"	VC3/4-435	3-5/8" x 4-1/4"	50	.020	14"	1	18"	1840	1270	1120	980	830	740	610	480
					20"	1	24"	2090	1440	1270	1110	940	840	690	540
					20"	2-6 CL	24"	2820	1950	1720	1490	1270	1130	930	730
					24"	1	28"	2260	1560	1380	1200	1020	900	750	590
					24"	2-6 CL	28"	3110	2150	1900	1650	1400	1240	1030	810
					24"	3-6 CL	28"	3510	2420	2140	1860	1580	1400	1160	910
1"	VC433	3-5/8" x 4-1/4"	32	.020	14"	1	18"	1540	1060	940	820	690	620	510	400
					20"	1	24"	1620	1120	990	860	730	650	530	420
					20"	2-6 CL	24"	2500	1720	1530	1330	1130	1000	830	650
					24"	1	28"	1690	1170	1030	900	760	680	560	440
					24"	2-6 CL	28"	2590	1790	1580	1370	1170	1040	850	670
					24"	3-6 CL	28"	2980	2060	1820	1580	1340	1190	980	770
1"	VC434	3-5/8" x 4-1/4"	40	.020	14"	1	18"	1780	1230	1090	940	800	710	590	460
					20"	1	24"	1900	1310	1160	1010	860	760	630	490
					20"	2-6 CL	24"	2660	1840	1620	1410	1200	1060	880	690
					24"	1	28"	1990	1370	1210	1050	900	800	660	520
					24"	2-6 CL	28"	2770	1910	1690	1470	1250	1110	910	720
					24"	3-6 CL	28"	3160	2180	1930	1670	1420	1260	1040	820
1"	VC435	3-5/8" x 4-1/4"	50	.020	14"	1	18"	1930	1330	1180	1020	870	770	640	500
					20"	1	24"	2180	1500	1330	1160	980	870	720	570
					20"	2-6 CL	24"	2640	1820	1610	1400	1190	1060	870	690
					24"	1	28"	2360	1630	1440	1250	1060	940	780	610
					24"	2-6 CL	28"	2910	2010	1780	1540	1310	1160	960	760
					24"	3-6 CL	28"	3290	2270	2010	1740	1480	1320	1090	860
1-1/4"	VC1433	3-5/8" x 4-1/4"	32	.020	14"	1	18"	1450	1000	880	770	650	580	480	380
					20"	1	24"	1530	1060	930	810	690	610	500	400
					20"	2-6 CL	24"	2360	1630	1440	1250	1060	940	780	610
					24"	1	28"	1590	1100	970	840	720	640	520	410
					24"	2-6 CL	28"	2450	1690	1490	1300	1100	980	810	640
					24"	3-6 CL	28"	2820	1950	1720	1490	1270	1130	930	730
1-1/4"	VC1434	3-5/8" x 4-1/4"	40	.020	14"	1	18"	1740	1200	1060	920	780	700	570	450
					20"	1	24"	1880	1300	1150	1000	850	750	620	490
					20"	2-6 CL	24"	2610	1800	1590	1380	1170	1040	860	680
					24"	1	28"	1950	1350	1190	1030	880	780	640	510
					24"	2-6 CL	28"	2710	1870	1650	1440	1220	1080	890	700
					24"	3-6 CL	28"	3090	2130	1880	1640	1390	1240	1020	800
1-1/4"	VC1435	3-5/8" x 4-1/4"	50	.020	14"	1	18"	1860	1280	1130	990	840	740	610	480
					20"	1	24"	2130	1470	1300	1130	960	850	700	550
					20"	2-6 CL	24"	2510	1730	1530	1330	1130	1000	830	650
					24"	1	28"	2270	1570	1380	1200	1020	910	750	590
					24"	2-6 CL	28"	2810	1940	1710	1490	1260	1120	930	730
					24"	3-6 CL	28"	3180	2190	1940	1690	1430	1270	1050	830

STYLE JV4-ARS14, 20 & 24

STEEL ELEMENT RATINGS*

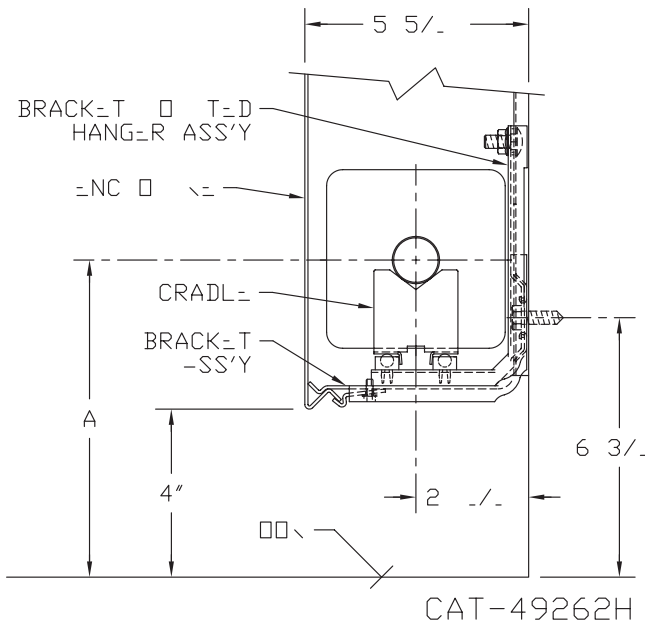
ALL RATINGS ARE BASED ON 3 FPS WATER VELOCITY, 65° EAT.

TUBE SIZE	CATALOG DESIGNATION	FIN SIZE HEIGHT X WIDTH	FIN PER FT.	FIN THICKNESS	ENCL. HEIGHT	TIERS AND CENTERS	MTG. HEIGHT	STEAM RATING 215°F, 65°F E.A.T. BTU/FT/HR	HOT WATER RATINGS BTU/FT/HR AWT						
									180°	170°	160°	150°	140°	130°	120°
									0.69	0.61	0.53	0.45	.40	.33	.26
1"	VS43	4-1/4" SQ.	32	.032	14"	1	18"	1410	970	860	750	630	560	470	370
					20"	1	24"	1460	1010	890	770	660	580	480	380
					20"	2-6 CL	24"	2200	1520	1340	1170	990	880	730	570
					24"	1	28"	1500	1040	920	800	680	600	500	390
					24"	2-6 CL	28"	2270	1570	1380	1200	1020	910	750	590
					24"	3-6 CL	28"	2610	1800	1590	1380	1170	1040	860	680
1"	VS44	4-1/4" SQ.	40	.032	14"	1	18"	1580	1090	960	840	710	630	520	410
					20"	1	24"	1680	1160	1020	890	760	670	550	440
					20"	2-6 CL	24"	2380	1640	1450	1260	1070	950	790	620
					24"	1	28"	1740	1200	1060	920	780	700	570	450
					24"	2-6 CL	28"	2490	1720	1520	1320	1120	1000	820	650
					24"	3-6 CL	28"	2840	1960	1730	1510	1280	1140	940	740
1"	VS45	4-1/4" SQ.	50	.032	14"	1	18"	1655	1140	1010	880	740	660	550	430
					20"	1	24"	1760	1210	1070	930	790	700	580	460
					20"	2-6 CL	24"	2435	1680	1490	1290	1100	970	800	630
					24"	1	28"	1825	1260	1110	970	820	730	600	470
					24"	2-6 CL	28"	2550	1760	1560	1350	1150	1020	840	660
					24"	3-6 CL	28"	2880	1990	1760	1530	1300	1150	950	750
1-1/4"	VS143	4-1/4" SQ.	32	.032	14"	1	18"	1400	970	850	740	630	560	460	360
					20"	1	24"	1450	1000	880	770	650	580	480	380
					20"	2-6 CL	24"	2180	1500	1330	1160	980	870	720	570
					24"	1	28"	1490	1030	910	790	670	600	490	390
					24"	2-6 CL	28"	2250	1550	1370	1190	1010	900	740	590
					24"	3-6 CL	28"	2590	1790	1580	1370	1170	1040	850	670
1-1/4"	VS144	4-1/4" SQ.	40	.032	14"	1	18"	1570	1080	960	830	710	630	520	410
					20"	1	24"	1670	1150	1020	890	750	670	550	430
					20"	2-6 CL	24"	2370	1640	1450	1260	1070	950	780	620
					24"	1	28"	1730	1190	1060	920	780	690	570	450
					24"	2-6 CL	28"	2480	1710	1510	1310	1120	990	820	640
					24"	3-6 CL	28"	2830	1950	1730	1500	1270	1130	930	740
1-1/4"	VS145	4-1/4" SQ.	50	.032	14"	1	18"	1645	1140	1000	870	740	660	540	430
					20"	1	24"	1750	1210	1070	930	790	700	580	460
					20"	2-6 CL	24"	2390	1650	1460	1270	1080	960	790	620
					24"	1	28"	1810	1250	1100	960	810	720	600	470
					24"	2-6 CL	28"	2500	1720	1530	1330	1130	1000	830	650
					24"	3-6 CL	28"	2820	1950	1720	1490	1270	1130	930	730
2"	VS242	4-1/4" SQ.	25	.032	14"	1	18"	1200	830	730	640	540	480	400	310
					20"	1	24"	1230	850	750	650	550	490	410	320
					20"	2-6 CL	24"	1930	1330	1180	1020	870	770	640	500
					24"	1	28"	1250	860	760	660	560	500	410	330
					24"	2-6 CL	28"	1940	1340	1180	1030	870	780	640	500
					24"	3-6 CL	28"	2230	1540	1360	1180	1000	890	740	580
2"	VS243	4-1/4" SQ.	32	.032	14"	1	18"	1400	970	850	740	630	560	460	360
					20"	1	24"	1450	1000	880	770	650	580	480	380
					20"	2-6 CL	24"	2110	1460	1290	1120	950	840	700	550
					24"	1	28"	1490	1030	910	790	670	600	490	390
					24"	2-6 CL	28"	2180	1500	1330	1160	980	870	720	570
					24"	3-6 CL	28"	2510	1730	1530	1330	1130	1000	830	650

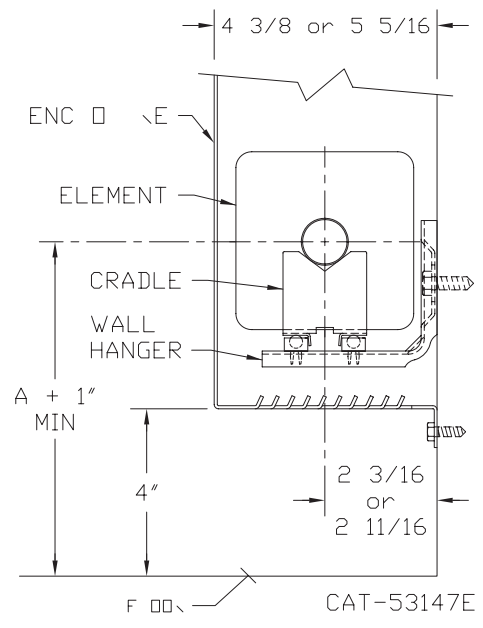
*NPT threads furnished on steel elements. Please use domestic fittings for proper installation.

ELEMENT CENTERLINE DIMENSIONS FOR ALTERNATE INSTALLATIONS

STEAM BRACKET W/ BRACKET MOUNTED HANGER



WALL MOUNTED BRACKET / LOUVER INLET RETURN TO WALL



TUBE SIZE	HEIGHT	CRADLE NUMBER	A	
			IN.	IN.
3/4" R	3 5/8 x 4 1/4		7 3/8	8 3/4
	4 1/4 x 4 1/4	3A	7 1/2	9 1/4
1/2" R	1/8 x 4 1/4	2	7 1/2	8 7/8
	4 1/4 x 4 1/4			
1/4" R	3 5/8 x 4 1/4	2	7 5/8	9"
	4 1/4 x 4 1/4			
1/2" ST-L	4 1/4 x 4 1/4		7 5/8	9"
1/4" ST-L	4 1/4 x 4 1/4	2	7 7/8	9 1/4
1/2" ST-L	4 1/4 x 4 1/4		7 5/8	9"