

CLASSIC

Submittal

JV4/V4-AR14, 20 & 24
Classic Architectural
Copper/Aluminum and
Steel Elements

Specification

JV4 Slip Jointed Enclosure

ENCLOSURE:

- STYLE: Classic
 OUTLET: Extruded Aluminum Pencil Proof
- LENGTHS: 2'0" thru 8'0" in 6" Increments
 MAT'L: 16 Ga. CRS (Std)
 14 Ga. CRS (Opt'l)
 16 Ga. Stainless Steel (Opt'l)*
 14 Ga. Stainless Steel (Opt'l)*
 14 Ga. Aluminum (Opt'l)
 12 Ga. Aluminum (Opt'l)
 *Available on "J" Style only
- HEIGHT: 14 7/16"
 20 7/16"
 24 7/16"
- FINISH: Baked Powder (Std)
 Baked Metallic

ACCESSORIES:

- JV4 Overlapping Type
 V4 Underlapping Type
- All accessories return to the wall at the bottom and have pre-punched holes for fastening to the wall.

ELEMENT:

- TYPE: Cu/Al (Mechanically Expanded)
 LENGTHS: 2'0" thru 12'6" in 1" Increments for 1" & 1-1/4" Cu.
 2'0" thru 8'0" in 1" Increments for 3/4" Cu.
- One End Flared, (Std)
- TYPE: IPS Steel (Mechanically Expanded)
 LENGTHS: 2'0" Thru 12'0" in 1" Increments
 NPT Thread both Ends (Std)
 Beveled Ends for Field Weld
- See Catalog for Working Pressures

V4 Wiped Edge Enclosure

BACKPLATE:

- TYPE: Partial B/P
 LENGTHS: 8'0" Only
 MAT'L: 20 Ga. Prepainted (Std)
 18 Ga. Galvannealed (Opt'l)
- TYPE: Full Ht. B/P (Opt'l)
 LENGTHS: 2'0" thru 8'0" in 6" Increments
 MAT'L: 20 Ga. Galvannealed (Opt'l)
 20 Ga. Painted (Opt'l)
 18 Ga. Painted (Opt'l)

AIRSEAL:

- 1/8" x 3/8" Closed Cell (Opt'l)

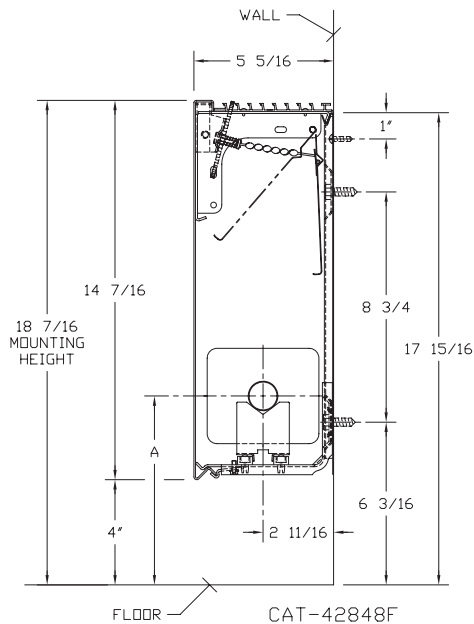
BRACKETS:

- Water Brkt w/B.B.
 Steam Brkt w/Brkt Mtd B.B. Hgr
 Wall Brkt w/ B.B. Hgr (For 3rd Tier)

DAMPER:

- Dial Type (Opt'l)
 Tamper Resistant (Opt'l)
 Slide Damper (Opt'l)

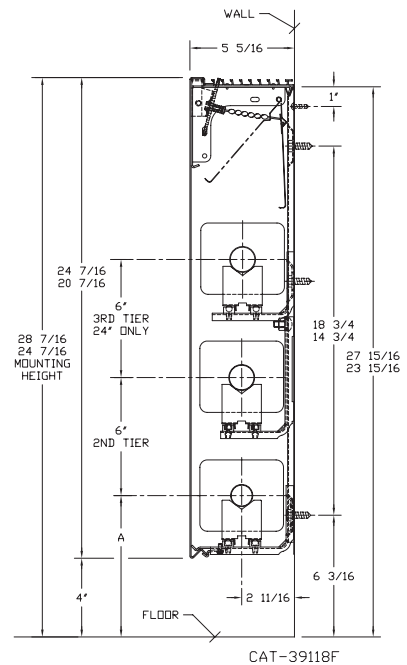
JV4/V4-AR14
(JV4 Shown)



Consult factory for 2-tier application

ELEMENT TUBE SIZE	FIN SIZE HEIGHT x WIDTH	CRADLE NUMBER	A
3/4 COPPER	3 5/8 x 4 1/4	2	7"
3/4 COPPER	4 1/4 x 4 1/4	3A	7 3/8
1" COPPER	3 5/8 x 4 1/4	2	7 3/16
1" COPPER	4 1/4 x 4 1/4	2	7 3/16
1 1/4 COPPER	3 5/8 x 4 1/4	2	7 5/16
1 1/4 COPPER	4 1/4 x 4 1/4	2	7 5/16
1" STEEL	4 1/4 x 4 1/4	2	7 5/16
1 1/4 STEEL	4 1/4 x 4 1/4	2	7 1/2
2" STEEL	4 1/4 x 4 1/4	1	7 1/4

JV4/V4-AR20 & 24
(JV4 Shown)



260 North Elm St., Westfield, MA 01085
 (413) 568-9571 Fax: (413) 564-5661
 www.vulcanrad.com



PROJECT: _____ DATE: _____
 LOCATION: _____
 ARCHITECT: _____
 ENGINEER: _____
 CONTRACTOR: _____
 PO NUMBER: _____

STYLE JV4/V4-AR14, 20 & 24

COPPER/ALUMINUM ELEMENT RATINGS

ALL RATINGS ARE BASED ON 3 FPS WATER VELOCITY, 65° EAT.

TUBE SIZE	CATALOG DESIGNATION	FIN SIZE HEIGHT X WIDTH	FIN PER FT.	FIN THICKNESS	ENCL. HEIGHT	TIERS OF ELEMENT	MTG. HEIGHT	STEAM RATING 215°F, 65°F E.A.T. BTU/FT/HR	HOT WATER RATINGS BTU/FT/HR AWT						
									180°	170°	160°	150°	140°	130°	120°
									0.69	0.61	0.53	0.45	.40	.33	.26
3/4"	VC3/4-433	3-5/8" x 4-1/4"	32	.020	14-7/16	1	18-7/16	1360	940	830	720	610	540	450	350
					20-7/16	1	24-7/16	1400	970	850	740	630	560	460	360
					20-7/16	2-6 CL	24-7/16	2220	1530	1350	1180	1000	890	730	580
					24-7/16	1	28-7/16	1425	980	870	760	640	570	470	370
					24-7/16	2-6 CL	28-7/16	2270	1570	1380	1200	1020	910	750	590
					24-7/16	3-6 CL	28-7/16	2610	1800	1590	1380	1170	1040	860	680
3/4"	VC3/4-434	3-5/8" x 4-1/4"	40	.020	14-7/16	1	18-7/16	1620	1120	990	860	730	650	530	420
					20-7/16	1	24-7/16	1710	1180	1040	910	770	680	560	440
					20-7/16	2-6 CL	24-7/16	2390	1650	1460	1270	1080	960	790	620
					24-7/16	1	28-7/16	1800	1240	1100	950	810	720	590	470
					24-7/16	2-6 CL	28-7/16	2490	1720	1520	1320	1120	1000	820	650
					24-7/16	3-6 CL	28-7/16	2840	1960	1730	1510	1280	1140	940	740
3/4"	VC3/4-435	3-5/8" x 4-1/4"	50	.020	14-7/16	1	18-7/16	1780	1230	1090	940	800	710	590	460
					20-7/16	1	24-7/16	1940	1340	1180	1030	870	780	640	500
					20-7/16	2-6 CL	24-7/16	2400	1660	1460	1270	1080	960	790	620
					24-7/16	1	28-7/16	2080	1440	1270	1100	940	830	690	540
					24-7/16	2-6 CL	28-7/16	2530	1750	1540	1340	1140	1010	830	660
					24-7/16	3-6 CL	28-7/16	2860	1970	1740	1520	1290	1140	940	740
1"	VC433	3-5/8" x 4-1/4"	32	.020	14-7/16	1	18-7/16	1410	970	860	750	630	560	470	370
					20-7/16	1	24-7/16	1450	1000	880	770	650	580	480	380
					20-7/16	2-6 CL	24-7/16	2320	1600	1420	1230	1040	930	770	600
					24-7/16	1	28-7/16	1480	1020	900	780	670	590	490	380
					24-7/16	2-6 CL	28-7/16	2410	1660	1470	1280	1080	960	800	630
					24-7/16	3-6 CL	28-7/16	2770	1910	1690	1470	1250	1110	910	720
1"	VC434	3-5/8" x 4-1/4"	40	.020	14-7/16	1	18-7/16	1690	1170	1030	900	760	680	560	440
					20-7/16	1	24-7/16	1800	1240	1100	950	810	720	590	470
					20-7/16	2-6 CL	24-7/16	2510	1730	1530	1330	1130	1000	830	650
					24-7/16	1	28-7/16	1890	1300	1150	1000	850	760	620	490
					24-7/16	2-6 CL	28-7/16	2660	1840	1620	1410	1200	1060	880	690
					24-7/16	3-6 CL	28-7/16	3030	2090	1850	1610	1360	1210	1000	790
1"	VC435	3-5/8" x 4-1/4"	50	.020	14-7/16	1	18-7/16	1850	1280	1130	980	830	740	610	480
					20-7/16	1	24-7/16	2030	1400	1240	1080	910	810	670	530
					20-7/16	2-6 CL	24-7/16	2510	1730	1530	1330	1130	1000	830	650
					24-7/16	1	28-7/16	2170	1500	1320	1150	980	870	720	560
					24-7/16	2-6 CL	28-7/16	2660	1840	1620	1410	1200	1060	880	690
					24-7/16	3-6 CL	28-7/16	3010	2080	1840	1600	1350	1200	990	780
1-1/4"	VC1433	3-5/8" x 4-1/4"	32	.020	14-7/16	1	18-7/16	1380	950	840	730	620	550	460	360
					20-7/16	1	24-7/16	1420	980	870	750	640	570	470	370
					20-7/16	2-6 CL	24-7/16	2280	1570	1390	1210	1030	910	750	590
					24-7/16	1	28-7/16	1450	1000	880	770	650	580	480	380
					24-7/16	2-6 CL	28-7/16	2370	1640	1450	1260	1070	950	780	620
					24-7/16	3-6 CL	28-7/16	2730	1880	1670	1450	1230	1090	900	710
1-1/4"	VC1434	3-5/8" x 4-1/4"	40	.020	14-7/16	1	18-7/16	1660	1150	1010	880	750	660	550	430
					20-7/16	1	24-7/16	1760	1210	1070	930	790	700	580	460
					20-7/16	2-6 CL	24-7/16	2460	1700	1500	1300	1110	980	810	640
					24-7/16	1	28-7/16	1850	1280	1130	980	830	740	610	480
					24-7/16	2-6 CL	28-7/16	2600	1790	1590	1380	1170	1040	860	680
					24-7/16	3-6 CL	28-7/16	2960	2040	1810	1570	1330	1180	980	770
1-1/4"	VC1435	3-5/8" x 4-1/4"	50	.020	14-7/16	1	18-7/16	1760	1210	1070	930	790	700	580	460
					20-7/16	1	24-7/16	1920	1320	1170	1020	860	770	630	500
					20-7/16	2-6 CL	24-7/16	2370	1640	1450	1260	1070	950	780	620
					24-7/16	1	28-7/16	2050	1410	1250	1090	920	820	680	530
					24-7/16	2-6 CL	28-7/16	2500	1720	1530	1330	1130	1000	830	650
					24-7/16	3-6 CL	28-7/16	2820	1950	1720	1490	1270	1130	930	730

► **Bold, italicized units are**  **rated** ◀

STYLE JV4/V4-AR14, 20 & 24

COPPER/ALUMINUM ELEMENT RATINGS

ALL RATINGS ARE BASED ON 3 FPS WATER VELOCITY, 65° EAT.

TUBE SIZE	CATALOG DESIGNATION	FIN SIZE HEIGHT X WIDTH	FIN PER FT.	FIN THICKNESS	ENCL. HEIGHT	TIERS OF ELEMENT	MTG. HEIGHT	STEAM RATING 215°F, 65°F E. A. T. BTU/FT/HR	HOT WATER RATINGS BTU/FT/HR AWT						
									180°	170°	160°	150°	140°	130°	120°
									0.69	0.61	0.53	0.45	.40	.33	.26
3/4"	VC3/4-43	4-1/4" SQ.	32	.020	14-7/16	1	18-7/16	1470	1010	900	780	660	590	490	380
					20-7/16	1	24-7/16	1540	1060	940	820	690	620	510	400
					20-7/16	2-6 CL	24-7/16	2310	1590	1410	1220	1040	920	760	600
					24-7/16	1	28-7/16	1570	1080	960	830	710	630	520	410
					24-7/16	2-6 CL	28-7/16	2410	1660	1470	1280	1080	960	800	630
					24-7/16	3-6 CL	28-7/16	2770	1910	1690	1470	1250	1110	910	720
3/4"	VC3/4-44	4-1/4" SQ.	40	.020	14-7/16	1	18-7/16	1840	1270	1120	980	830	740	610	480
					20-7/16	1	24-7/16	1950	1350	1190	1030	880	780	640	510
					20-7/16	2-6 CL	24-7/16	2360	1630	1440	1250	1060	940	780	610
					24-7/16	1	28-7/16	2070	1430	1260	1100	930	830	680	540
					24-7/16	2-6 CL	28-7/16	2550	1760	1560	1350	1150	1020	840	660
					24-7/16	3-6 CL	28-7/16	2910	2010	1780	1540	1310	1160	960	760
3/4"	VC3/4-45	4-1/4" SQ.	50	.020	14-7/16	1	18-7/16	1870	1290	1140	990	840	750	620	490
					20-7/16	1	24-7/16	2050	1410	1250	1090	920	820	680	530
					20-7/16	2-6 CL	24-7/16	2480	1710	1510	1310	1120	990	820	640
					24-7/16	1	28-7/16	2200	1520	1340	1170	990	880	730	570
					24-7/16	2-6 CL	28-7/16	2670	1840	1630	1420	1200	1070	880	690
					24-7/16	3-6 CL	28-7/16	3020	2080	1840	1600	1360	1210	1000	790
1"	VC43	4-1/4" SQ.	32	.020	14-7/16	1	18-7/16	1470	1010	900	780	660	590	490	380
					20-7/16	1	24-7/16	1540	1060	940	820	690	620	510	400
					20-7/16	2-6 CL	24-7/16	2340	1610	1430	1240	1050	940	770	610
					24-7/16	1	28-7/16	1580	1090	960	840	710	630	520	410
					24-7/16	2-6 CL	28-7/16	2440	1680	1490	1290	1100	980	810	630
					24-7/16	3-6 CL	28-7/16	2810	1940	1710	1490	1260	1120	930	730
1"	VC44	4-1/4" SQ.	40	.020	14-7/16	1	18-7/16	1720	1190	1050	910	770	690	570	450
					20-7/16	1	24-7/16	1810	1250	1100	960	810	720	600	470
					20-7/16	2-6 CL	24-7/16	2510	1730	1530	1330	1130	1000	830	650
					24-7/16	1	28-7/16	1920	1320	1170	1020	860	770	630	500
					24-7/16	2-6 CL	28-7/16	2600	1790	1590	1380	1170	1040	860	680
					24-7/16	3-6 CL	28-7/16	2960	2040	1810	1570	1330	1180	980	770
1"	VC45	4-1/4" SQ.	50	.020	14-7/16	1	18-7/16	1900	1310	1160	1010	860	760	630	490
					20-7/16	1	24-7/16	2090	1440	1270	1110	940	840	690	540
					20-7/16	2-6 CL	24-7/16	2510	1730	1530	1330	1130	1000	830	650
					24-7/16	1	28-7/16	2250	1550	1370	1190	1010	900	740	590
					24-7/16	2-6 CL	28-7/16	2710	1870	1650	1440	1220	1080	890	700
					24-7/16	3-6 CL	28-7/16	3060	2110	1870	1620	1380	1220	1010	800
1-1/4"	VC143	4-1/4" SQ.	32	.020	14-7/16	1	18-7/16	1440	990	880	760	650	580	480	370
					20-7/16	1	24-7/16	1510	1040	920	800	680	600	500	390
					20-7/16	2-6 CL	24-7/16	2300	1590	1400	1220	1040	920	760	600
					24-7/16	1	28-7/16	1550	1070	950	820	700	620	510	400
					24-7/16	2-6 CL	28-7/16	2390	1650	1460	1270	1080	960	790	620
					24-7/16	3-6 CL	28-7/16	2750	1900	1680	1460	1240	1100	910	720
1-1/4"	VC144	4-1/4" SQ.	40	.020	14-7/16	1	18-7/16	1690	1170	1030	900	760	680	560	440
					20-7/16	1	24-7/16	1780	1230	1090	940	800	710	590	460
					20-7/16	2-6 CL	24-7/16	2460	1700	1500	1300	1110	980	810	640
					24-7/16	1	28-7/16	1890	1300	1150	1000	850	760	620	490
					24-7/16	2-6 CL	28-7/16	2550	1760	1560	1350	1150	1020	840	660
					24-7/16	3-6 CL	28-7/16	2910	2010	1780	1540	1310	1160	960	760
1-1/4"	VC145	4-1/4" SQ.	50	.020	14-7/16	1	18-7/16	1870	1290	1140	990	840	750	620	490
					20-7/16	1	24-7/16	2050	1410	1250	1090	920	820	680	530
					20-7/16	2-6 CL	24-7/16	2460	1700	1500	1300	1110	980	810	640
					24-7/16	1	28-7/16	2210	1520	1350	1170	990	880	730	570
					24-7/16	2-6 CL	28-7/16	2650	1830	1620	1400	1190	1060	870	690
					24-7/16	3-6 CL	28-7/16	2990	2060	1820	1580	1350	1200	990	780

► **Bold, italicized units are ASME CERTIFIED rated** ◀

STYLE JV4/V4-AR14, 20 & 24

STEEL ELEMENT RATINGS*

ALL RATINGS ARE BASED ON 3 FPS WATER VELOCITY, 65° EAT.

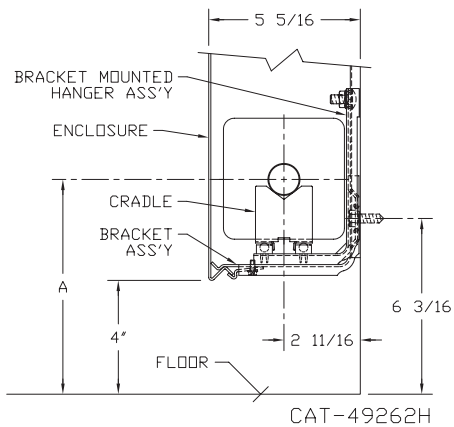
TUBE SIZE	CATALOG DESIGNATION	FIN SIZE HEIGHT X WIDTH	FIN PER FT.	FIN THICKNESS	ENCL. HEIGHT	TIERS OF ELEMENT	MTG. HEIGHT	STEAM RATING 215°F, 65°F E.A.T. BTU/FT/HR	HOT WATER RATINGS BTU/FT/HR AWT							
									180°	170°	160°	150°	140°	130°	120°	
									0.69	0.61	0.53	0.45	.40	.33	.26	
1"	VS43	4-1/4" SQ.	32	.032	14-7/16	1	18-7/16	1210	830	740	640	540	480	400	310	
					20-7/16	1	24-7/16	1270	880	770	670	570	510	420	330	
					20-7/16	2-6 CL	24-7/16	2080	1440	1270	1100	940	830	690	540	
					24-7/16	1	28-7/16	1310	900	800	690	590	520	430	340	
					24-7/16	2-6 CL	28-7/16	2120	1460	1290	1120	950	850	700	550	
1"	VS44	4-1/4" SQ.	40	.032	14-7/16	1	18-7/16	1440	990	880	760	650	580	480	370	
					20-7/16	1	24-7/16	1530	1060	930	810	690	610	500	400	
					20-7/16	2-6 CL	24-7/16	2330	1610	1420	1230	1050	930	770	610	
					24-7/16	1	28-7/16	1600	1100	980	850	720	640	530	420	
					24-7/16	2-6 CL	28-7/16	2395	1650	1460	1270	1080	960	790	620	
1"	VS45	4-1/4" SQ.	50	.032	14-7/16	1	18-7/16	1490	1030	910	790	670	600	490	390	
					20-7/16	1	24-7/16	1565	1080	950	830	700	630	520	410	
					20-7/16	2-6 CL	24-7/16	2285	1580	1390	1210	1030	910	750	590	
					24-7/16	1	28-7/16	1620	1120	990	860	730	650	530	420	
					24-7/16	2-6 CL	28-7/16	2320	1600	1420	1230	1040	930	770	600	
1-1/4"	VS143	4-1/4" SQ.	32	.032	14-7/16	1	18-7/16	1200	830	730	640	540	480	400	310	
					20-7/16	1	24-7/16	1260	870	770	670	570	500	420	330	
					20-7/16	2-6 CL	24-7/16	2060	1420	1260	1090	930	820	680	540	
					24-7/16	1	28-7/16	1300	900	790	690	590	520	430	340	
					24-7/16	2-6 CL	28-7/16	2100	1450	1280	1110	950	840	690	550	
1-1/4"	VS144	4-1/4" SQ.	40	.032	14-7/16	1	18-7/16	1430	990	870	760	640	570	470	370	
					20-7/16	1	24-7/16	1520	1050	930	810	680	610	500	400	
					20-7/16	2-6 CL	24-7/16	2240	1550	1370	1190	1010	900	740	580	
					24-7/16	1	28-7/16	1590	1100	970	840	720	640	520	410	
					24-7/16	2-6 CL	28-7/16	2300	1590	1400	1220	1040	920	760	600	
1-1/4"	VS145	4-1/4" SQ.	50	.032	14-7/16	1	18-7/16	1460	1010	890	770	660	580	480	380	
					20-7/16	1	24-7/16	1535	1060	940	810	690	610	510	400	
					20-7/16	2-6 CL	24-7/16	2240	1550	1370	1190	1010	900	740	580	
					24-7/16	1	28-7/16	1595	1100	970	850	720	640	530	410	
					24-7/16	2-6 CL	28-7/16	2275	1570	1390	1210	1020	910	750	590	
2"	VS242	4-1/4" SQ.	25	.032	14-7/16	1	18-7/16	1090	750	660	580	490	440	360	280	
					20-7/16	1	24-7/16	1130	780	690	600	510	450	370	290	
					20-7/16	2-6 CL	24-7/16	1830	1260	1120	970	820	730	600	480	
					24-7/16	1	28-7/16	1150	790	700	610	520	460	380	300	
					24-7/16	2-6 CL	28-7/16	1850	1280	1130	980	830	740	610	480	
2"	VS243	4-1/4" SQ.	32	.032	14-7/16	1	18-7/16	1290	890	790	680	580	520	430	340	
					20-7/16	1	24-7/16	1330	920	810	700	600	530	440	350	
					20-7/16	2-6 CL	24-7/16	2030	1400	1240	1080	910	810	670	530	
					24-7/16	1	28-7/16	1380	950	840	730	620	550	460	360	
					24-7/16	2-6 CL	28-7/16	2060	1420	1260	1090	930	820	680	540	
2"	VS243	4-1/4" SQ.	32	.032	14-7/16	1	18-7/16	2370	1640	1450	1260	1070	950	780	620	

Note:

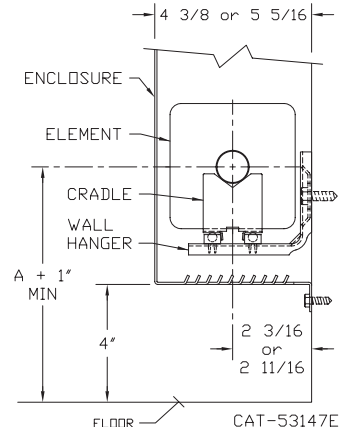
* Male NPT threads furnished on steel elements. Please use domestic fittings for proper installation.

ELEMENT CENTERLINE DIMENSIONS FOR INSTALLATIONS USING STEAM

STEAM BRACKET W/ BRACKET MOUNTED HANGER



STEAM BRACKET W/ BRACKET MOUNTED HANGER



ELEMENT TUBE SIZE	FIN SIZE HEIGHT X WIDTH	CRADLE NUMBER	A	
			MIN.	MAX.
3/4 COPPER	3 5/8 x 4 1/4	2	7 3/8	8 3/4
	4 1/4 x 4 1/4	3A	7 11/16	9 1/16
1" COPPER	3 5/8 x 4 1/4	2	7 1/2	8 7/8
	4 1/4 x 4 1/4			
1 1/4 COPPER	3 5/8 x 4 1/4	2	7 5/8	9"
	4 1/4 x 4 1/4			
1" STEEL	4 1/4 x 4 1/4	2	7 5/8	9"
1 1/4 STEEL	4 1/4 x 4 1/4	2	7 7/8	9 1/4
2" STEEL	4 1/4 x 4 1/4	1	7 5/8	9"