

# LINOVECTOR II

VPC Pipe Cover  
Vertical  
2 Sided  
3 Sided

## Submittal

# Specification

VPC 2 Sided

VPC 3 Sided

### PIPE COVER:

STYLE: Vertical (No Slip Joints)  
 5" x 5"  
 8" x 8"

LENGTHS: 8'0" (For shorter lengths, consult factory)

MAT'L:  18 Ga. CRS (Std)  
 16 Ga. CRS (Opt'l)  
 14 Ga. CRS (Opt'l)

FINISH:  Baked Primer (Std)  
 Baked Enamel (Opt'l)

FINISH:  16 Ga. Stainless Steel (Opt'l)  
 14 Ga. Aluminum Clear Anod (Opt'l)

1" x 1" Angle Std. 8'0" long Prime  
 1" x 1" Angle (Opt'l) 8'0" long BE

### ACCESSORIES:

2" Joiner Piece (Overlapping)

### PIPE COVER:

STYLE: Vertical (No Slip Joints)  
 5" x 5" x 5"  
 8" x 8" x 8"

LENGTHS: 8'0" (For shorter lengths, consult factory)

MAT'L:  18 Ga. CRS (Std)  
 16 Ga. CRS (Opt'l)  
 14 Ga. CRS (Opt'l)

FINISH:  Baked Primer (Std)  
 Baked Enamel (Opt'l)

FINISH:  16 Ga. Stainless Steel (Opt'l)  
 14 Ga. Aluminum Clear Anod (Opt'l)

1" x 1" Angle Std. 8'0" long Prime  
 1" x 1" Angle (Opt'l) 8'0" long BE

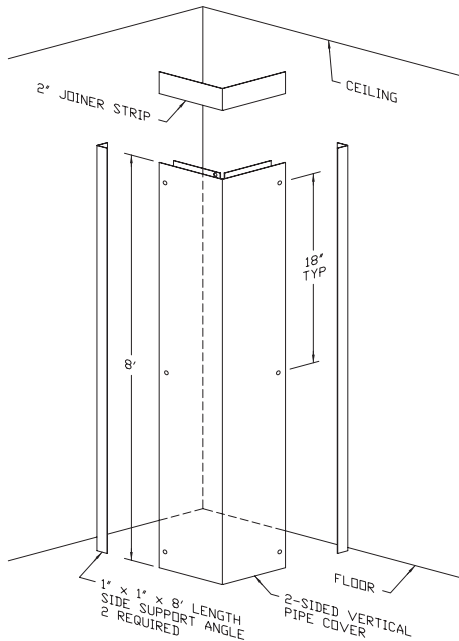
### ACCESSORIES:

2" Joiner Piece (Overlapping)

## VPC PIPE COVER- VERTICAL

VPC-52

VPC-82



FASTENERS ARE BY OTHERS.

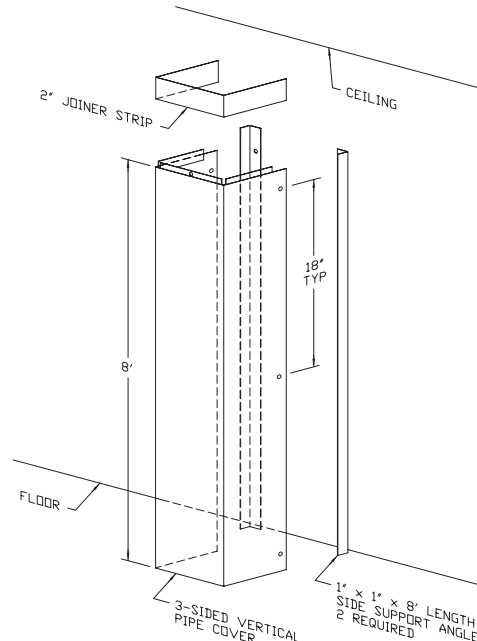
FOR CEILING HEIGHTS GREATER THAN 8',  
MULTIPLE PIECES WILL BE REQUIRED.

PCV-52 5' x 5' x 8' LENGTHS  
PCV-82 8' x 8' x 8' LENGTHS

CAT-68234

VPC-53

VPC-83



FASTENERS ARE BY OTHERS.

FOR CEILING HEIGHTS GREATER THAN 8',  
MULTIPLE PIECES WILL BE REQUIRED.

PCV-53 5' x 5' x 8' LENGTHS  
PCV-83 8' x 8' x 8' LENGTHS

CAT-68235

# Vulcan

RADIATOR

260 North Elm St., Westfield, MA 01085  
 (413) 568-9571 Fax: (413) 564-5661  
 www.vulcanrad.com

PROJECT: \_\_\_\_\_ DATE: \_\_\_\_\_

LOCATION: \_\_\_\_\_

ARCHITECT: \_\_\_\_\_

ENGINEER: \_\_\_\_\_

CONTRACTOR: \_\_\_\_\_

PO NUMBER: \_\_\_\_\_