



# PANEL RADIATOR

## STANDARD ACCESSORIES

Item	Page
Full Trim Accessories	2
Full SaddleTrim Accessories	3
Vertical Pipe Trim	4
Perforated Grilled Option	5



260 North Elm Street Westfield, MA 01085

(413) 564-5535 Fax: (413) 562-8437

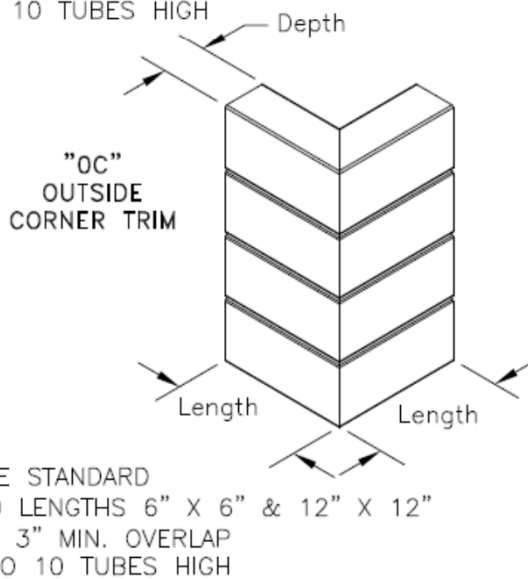
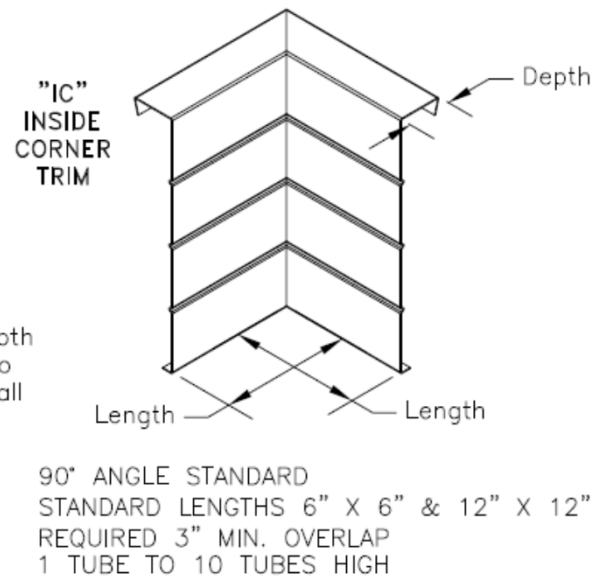
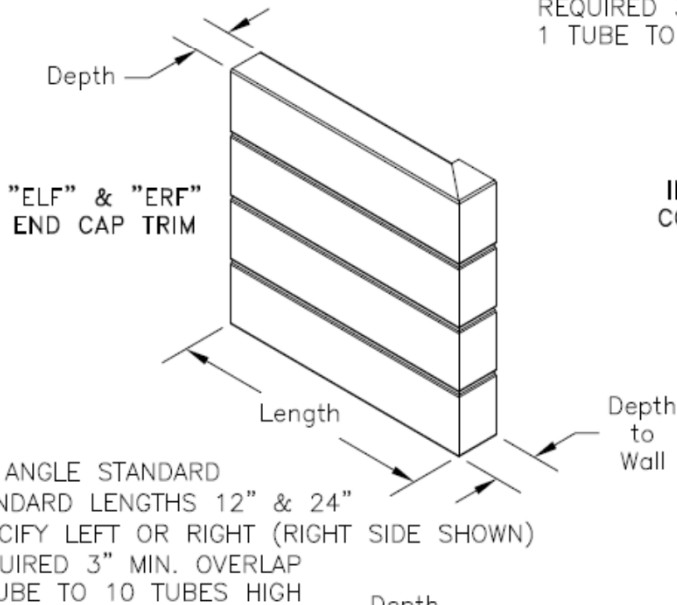
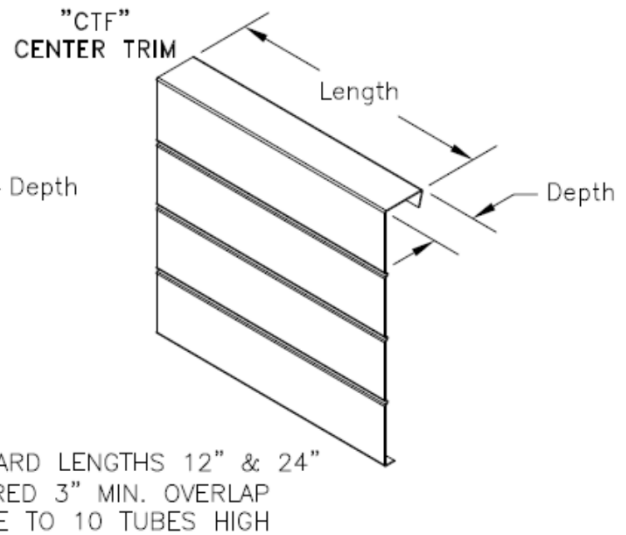
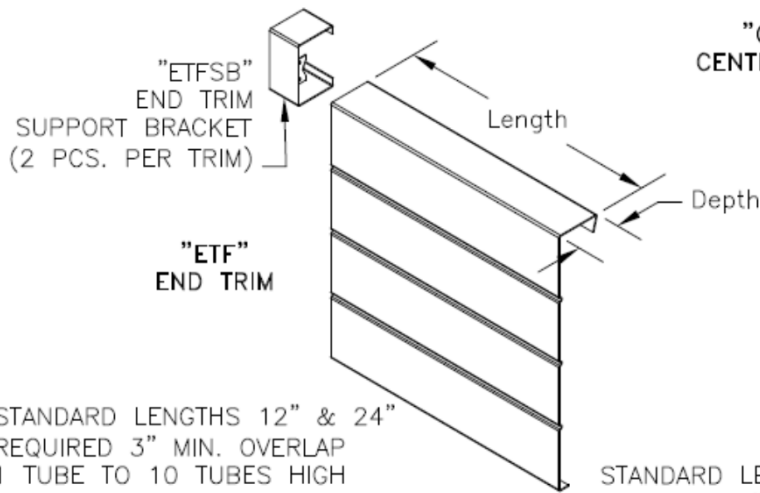
[www.vulcanrad.com](http://www.vulcanrad.com)

PROJECT:	_____	DATE:	_____
LOCATION:	_____		
ARCHITECT:	_____		
ENGINEER:	_____		
CONTRACTOR:	_____		
P.O. NUMBER	_____		

# Vulcan

R A D I A T O R

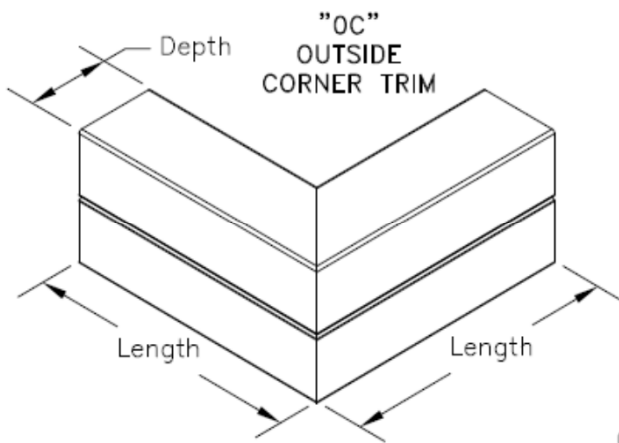
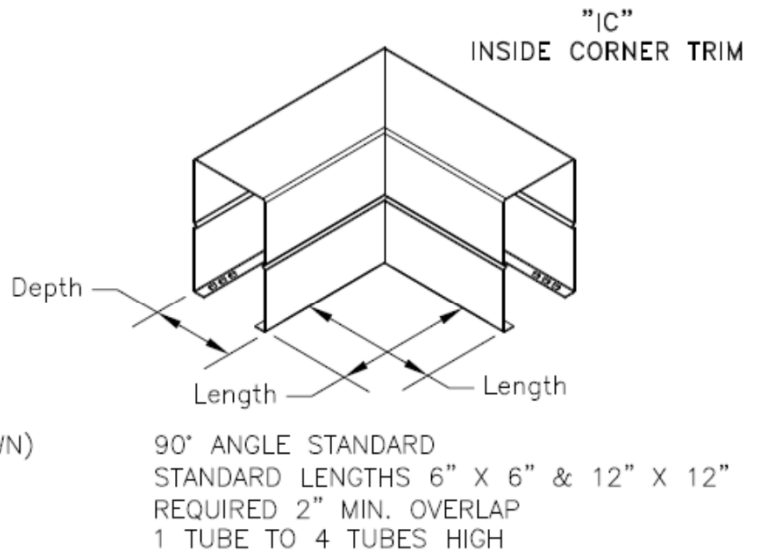
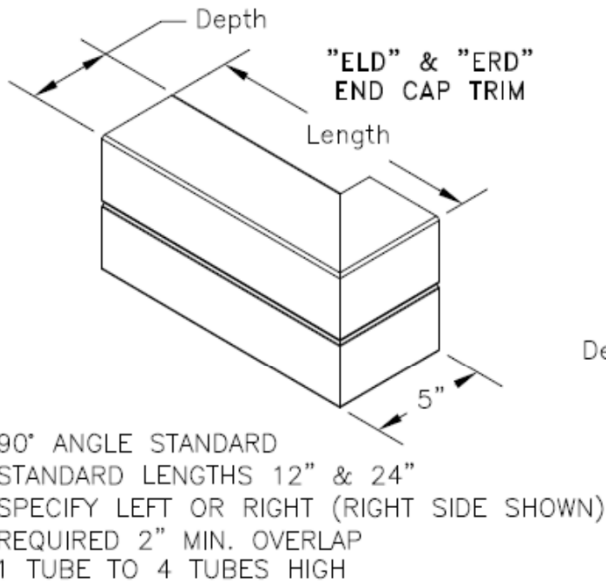
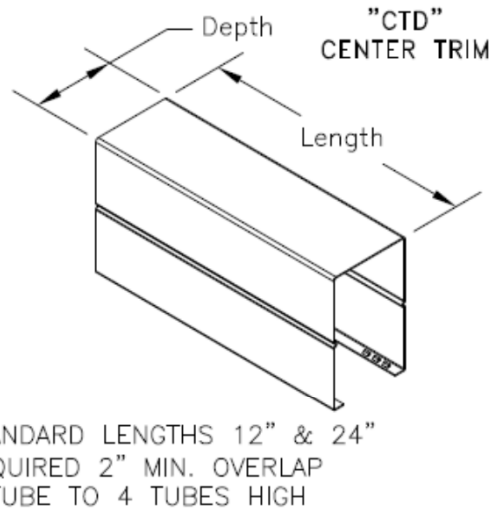
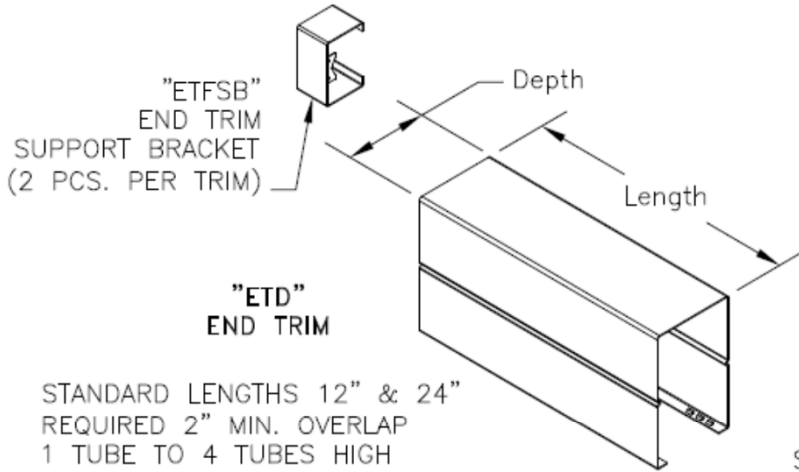
## FULL TRIM ACCESSORIES



PANEL MODEL	DEPTH	DEPTH TO WALL	LENGTH	
			"ETF", "CTF", "ELF", "ERF"	"IC" & "OC"
PR/PRF	1 5/8"	2"	12"	6" x 6"
PR2/PR2F	3 3/8"	5"	&	&
PR3F	4 7/8"	5"	24"	12" x 12"

CAT-75593B

## FULL SADDLE TRIM ACCESSORIES



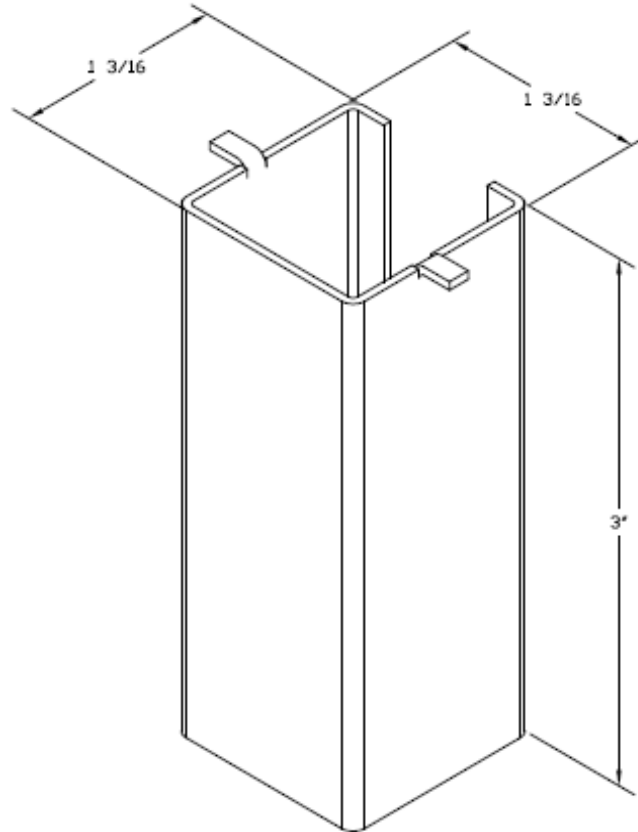
PANEL MODEL	DEPTH	LENGTH	
		"ETD", "CTD", "ELD", "ERD"	"IC" & "OC"
PR2/PR2F	3 5/8"	12" & 24"	6" X 6" & 12" X 12"
PR3F	4 7/8"		

### GENERAL NOTES:

- 1) ONLY AVAILABLE UP TO 4 TUBES HIGH
- 2) STANDARD APPLICATION IS PEDESTAL MOUNTED PANEL RADIATORS



## VERTICAL PIPE TRIM



CAT-76578

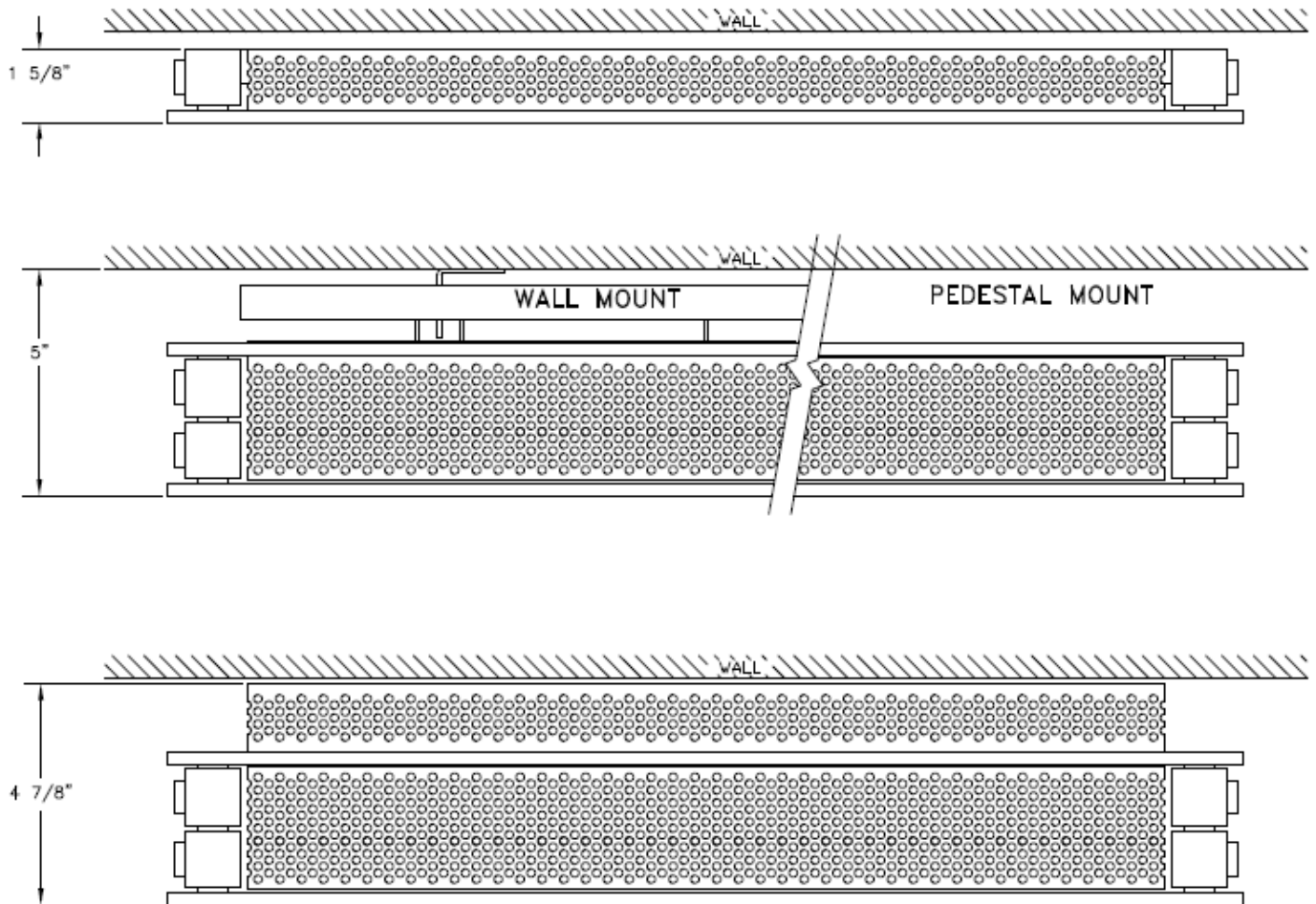
### PRVPT VERTICAL PIPE TRIM

STANDARD SIZES  
HEIGHT 3" or 10" AVAILABLE

# Vulcan

R A D I A T O R

## PERFORATED GRILLE OPTIONAL ACCESSORY



THE 16GA GRILLE WITH  $\frac{3}{16}$ " DIAMETER HOLES ON  $\frac{1}{4}$ " STAGGERED CENTERLINES PROVIDES A PENCIL PROOF FLAT TOP TO ANY STANDARD PANEL. THIS ALLOWS FOR A MORE CONTINUOUS LOOK AND PREVENTS UNWANTED BUILD UP BETWEEN THE FINS. THE GRILLE IS PAINTED AND FINISHED WITH POLYESTER EPOXY POWDER TO MATCH THE RADIATOR. ADDING THE PERFORATED GRILLE MAY REDUCE THE OUTPUT OF SOME MODELS.

CAT-75579